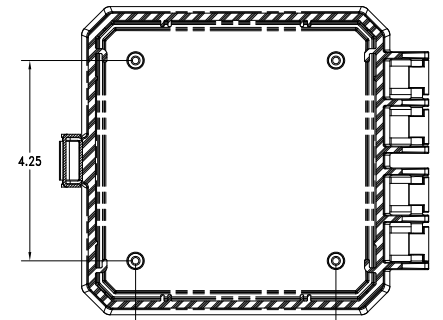
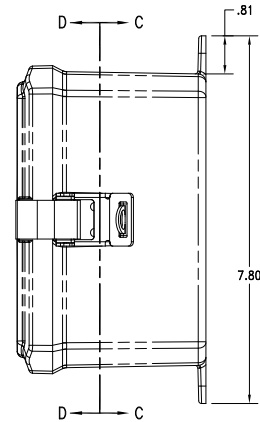
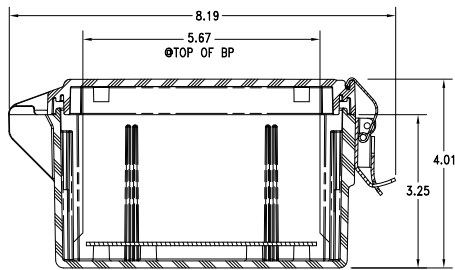


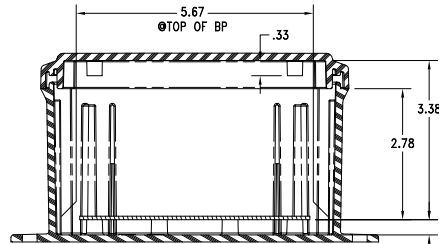
SECTION C-C



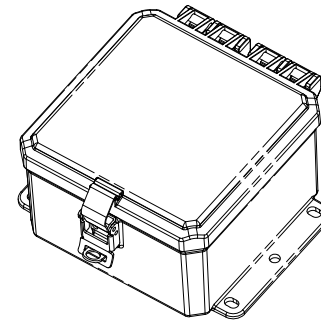
SECTION D-D



SECTION B-B



SECTION A-A



REV		DESCRIPTION		DATE	BY	CHK	APP'D	SCALE	QUANTITY	DATE	BY	CHK	APP'D
A		RELEASED TO PRODUCTION AT REV A		12-2-13				1:1	1	12.02.13			

REFERENCE TOLERANCES DIMS ±.003 POS NEG FRACTIONS ± 1/64		INTEGRA ENCLOSURES THE TEAM THAT BUILT THE WORLD'S MOST RELIABLE AND DURABLE CASES AND MORE	DRAWN BY W. TIOWELL
TITLE 6X6X3 HINGED BOX ASSEMBLY		SIZE FULL	SHEET 1 of 1
PART NUMBER P6063LL		REV A	