

4

3

2

1

D

D

C

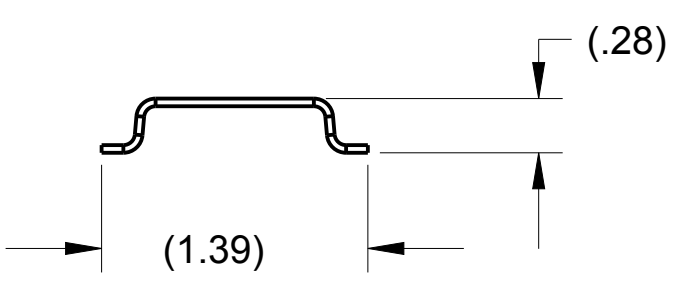
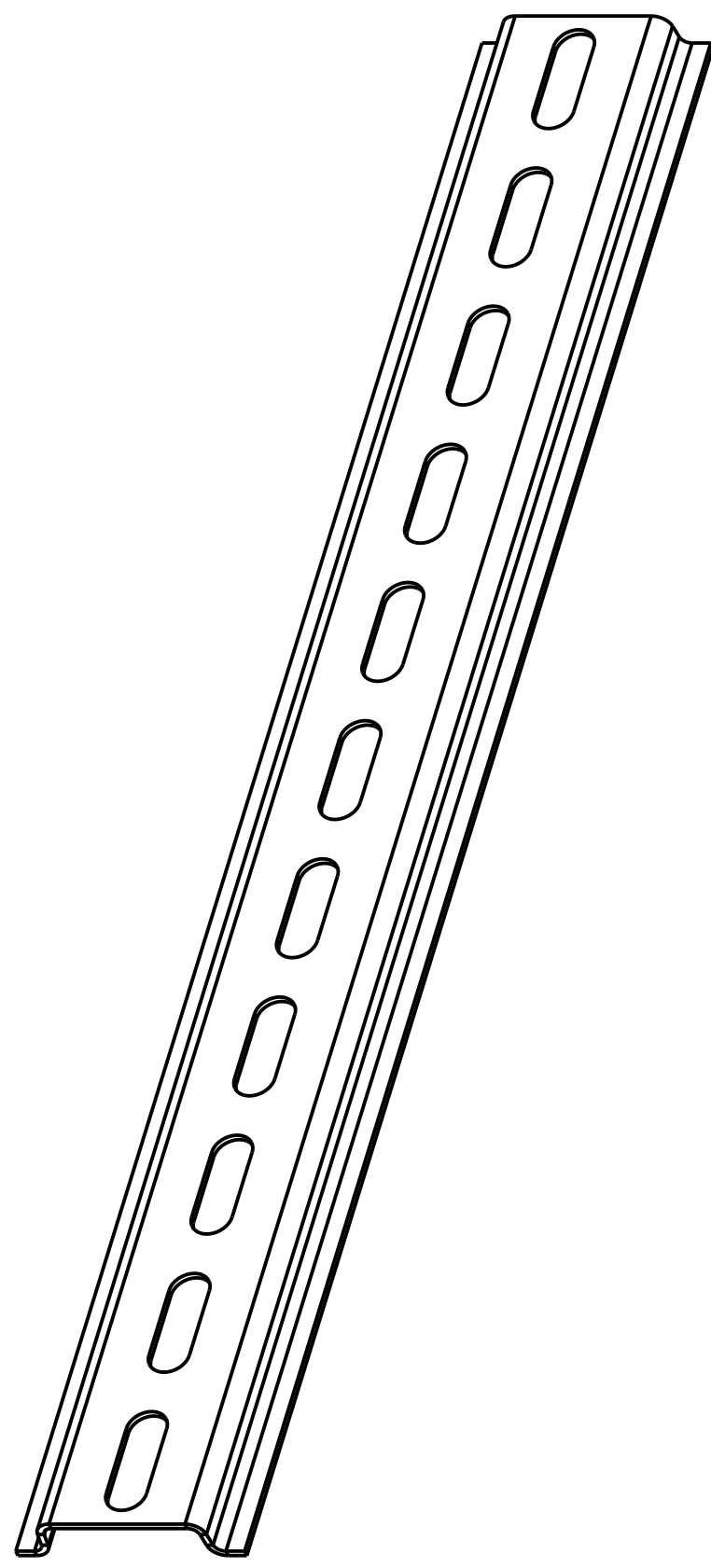
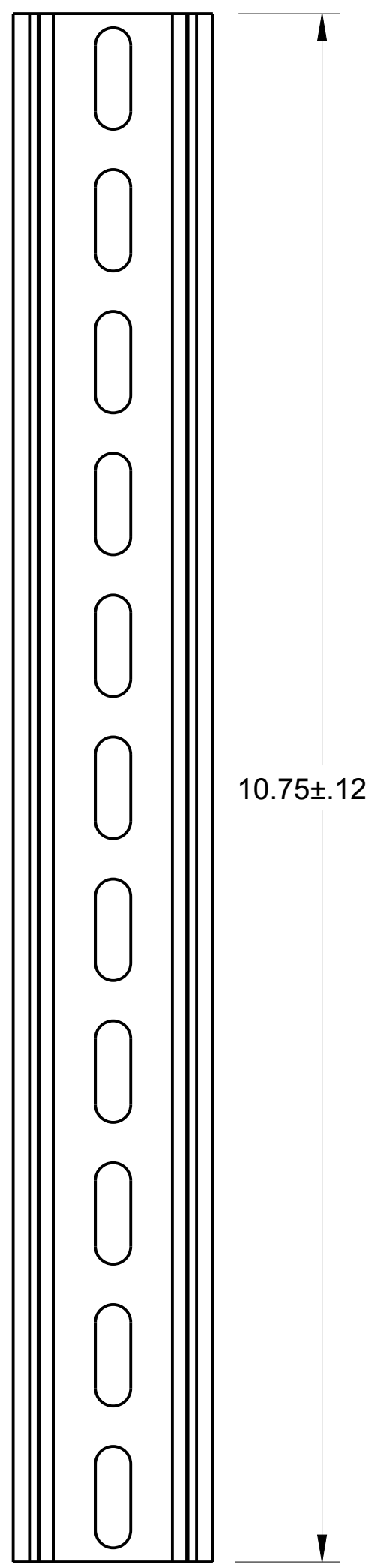
C

B

B

A

A



- NOTES:
 1. MATERIAL: MAKE FROM PART NO. 9915000-84-55
 2. REMOVE ALL BURRS AND BREAK SHARP EDGES

						INTEGRA ENCLOSURES		<small>MUM INDUSTRIES 7750 TYLER BLVD MENTOR, OHIO (440) 289-8155 FAX (440) 289-8188</small>			
<small>DEFAULT TOLERANCES</small> DECIMAL .XX ±0.01 .XXX ±0.005						<small>SCALE</small> 1.000		<small>SHEET</small> 1 of 1		<small>DRAWN BY</small> W.TIDWELL	
<small>FRACTIONAL</small> ± 1/64						<small>TITLE</small> MACHINE DIN 35 RAIL 10.75"					
<small>ANGULAR</small> ±1°						<small>DATE</small> 12.26.12		<small>DRAWING NUMBER</small> 9915012-84-55		<small>REV</small> A	
<small>REV</small> A						<small>DESCRIPTION</small> RELEASED TO PRODUCTION AT REV A		<small>W.T.</small> 12-26-12		<small>BY</small> DATE	
						<small>ECN NO.</small> APPROVED BY					

4

3

2

1