

4

3

2

1

D

D

C

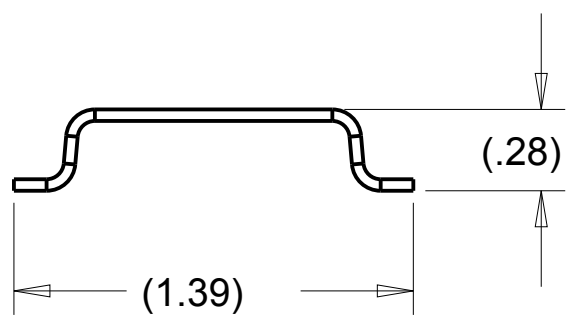
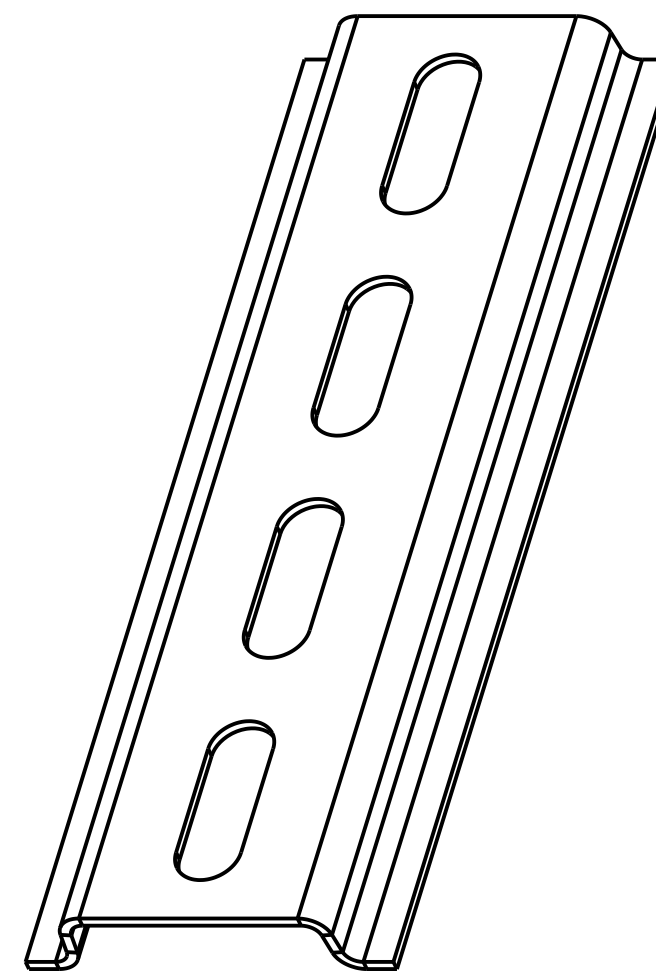
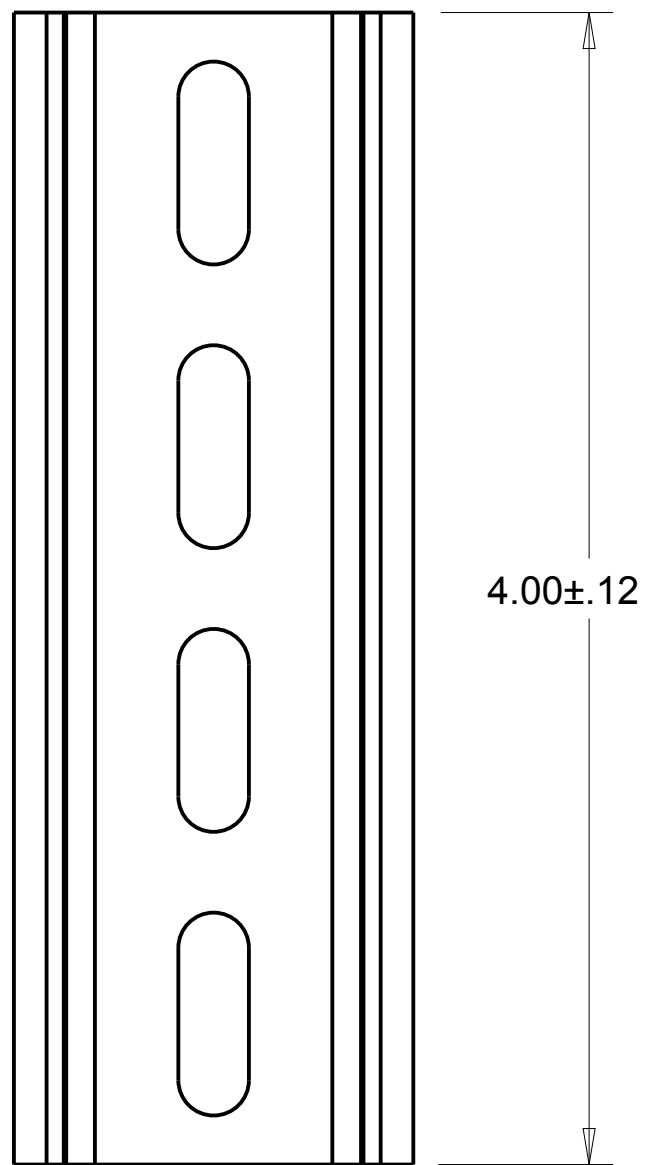
C

B

B

A

A



- NOTES:
 1. MATERIAL: MAKE FROM PART NO. 9920209-00-00
 2. REMOVE ALL BURRS AND BREAK SHARP EDGES.

						INTEGRA ENCLOSURES		<small>MUM INDUSTRIES 7750 TYLER BLVD MENTOR, OHIO (440) 289-8155 FAX (440) 289-8188</small>		
<small>DEFAULT TOLERANCES</small> DECIMAL .XX ±0.01 .XXX ±0.005 FRACTIONAL ± 1/64 ANGULAR ±1°						<small>SCALE</small> 1.5	<small>SHEET</small> 1 of 1	<small>DRAWN BY</small> W.TIDWELL		
						<small>TITLE</small> MACHINE DIN 35 RAIL (4")				
<small>REV</small> A						<small>DATE</small> 04.20.12		<small>DRAWING NUMBER</small> 9920205-00-00		<small>REV</small> A
<small>DESCRIPTION</small> RELEASED TO PRODUCTION AT REV A						<small>BY</small> W.T.	<small>DATE</small> 4-20-12	<small>ECN NO.</small> 9920205-00-00	<small>APPROVED BY</small> W.T.	

4

3

2

1