

4

3

2

1

D

D

C

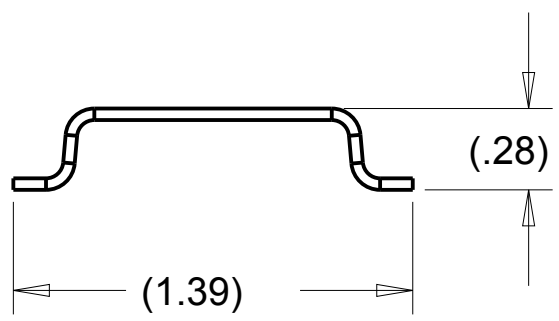
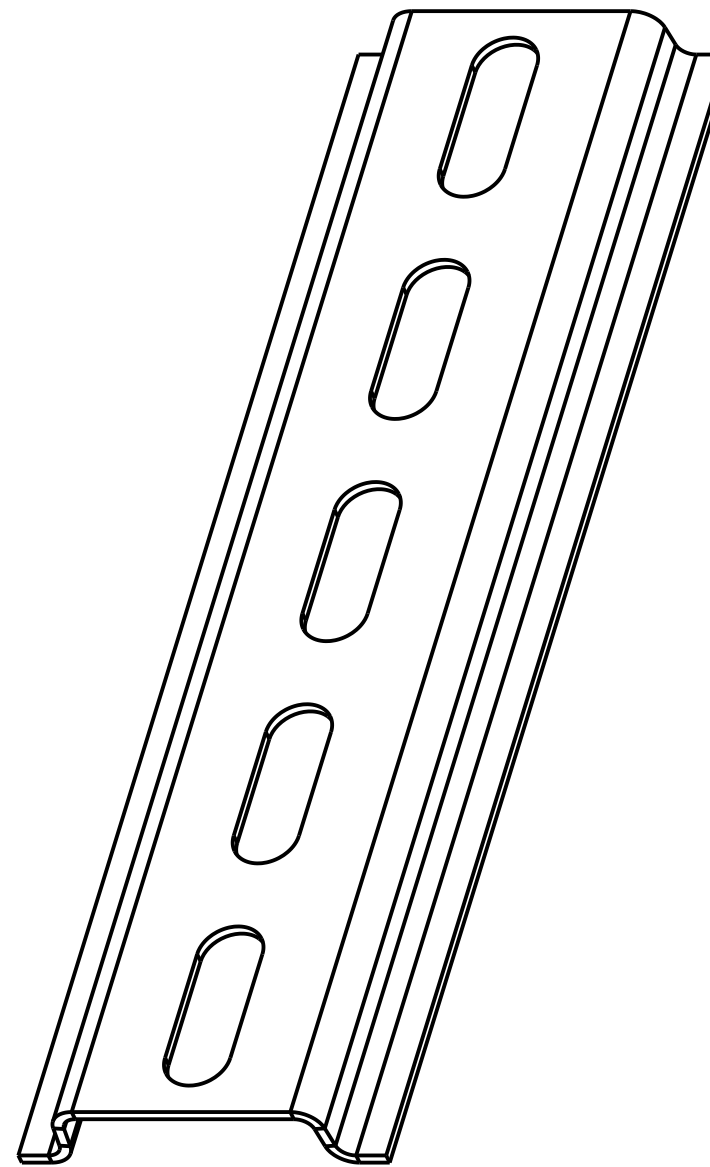
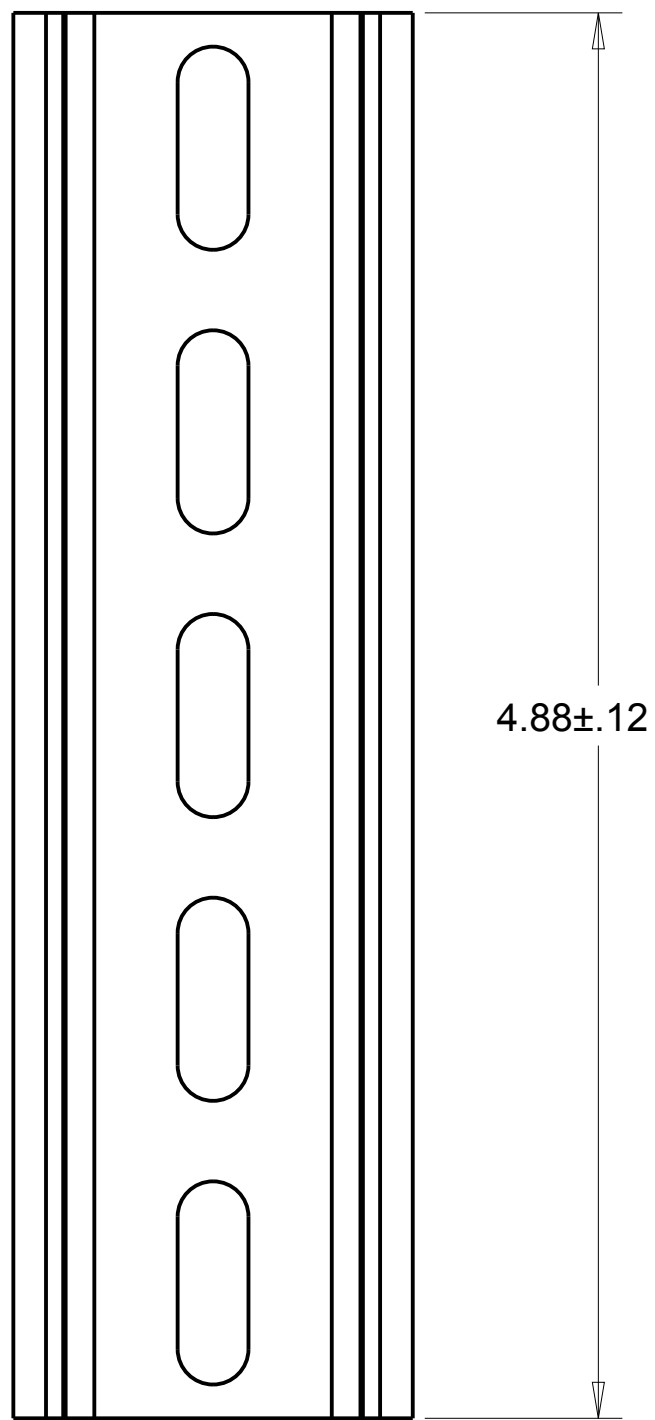
C

B

B

A

A



NOTES:  
 1. MATERIAL: MAKE FROM PART NO. 9915000-84-55  
 2. REMOVE ALL BURRS AND BREAK SHARP EDGES

						<b>INTEGRA</b> <b>ENCLOSURES</b>		<small>MUM INDUSTRIES        7750 TYLER BLVD MENTOR, OHIO (440) 289-8155 FAX (440) 289-8188</small>			
<small>DEFAULT TOLERANCES</small> DECIMAL .XX ±0.01 .XXX ±0.005						<small>SCALE</small> <b>1.500</b>		<small>SHEET</small> <b>1 of 1</b>		<small>DRAWN BY</small> <b>W.TIDWELL</b>	
<small>FRACTIONAL</small> ± 1/64						<small>TITLE</small> <b>MACHINE DIN RAIL 4.88"</b>					
<small>ANGULAR</small> ±1°						<small>DATE</small> <b>12.26.12</b>		<small>DRAWING NUMBER</small> <b>9915006-84-55</b>		<small>REV</small> <b>A</b>	
<small>REV</small> <b>A</b>						<small>DESCRIPTION</small> RELEASED TO PRODUCTION AT REV A		<small>W.T.</small> 12-26-12		<small>BY</small> DATE ECN NO. APPROVED BY	

4

3

2

1