

4

3

2

1

D

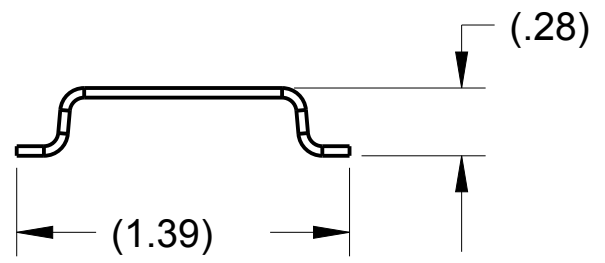
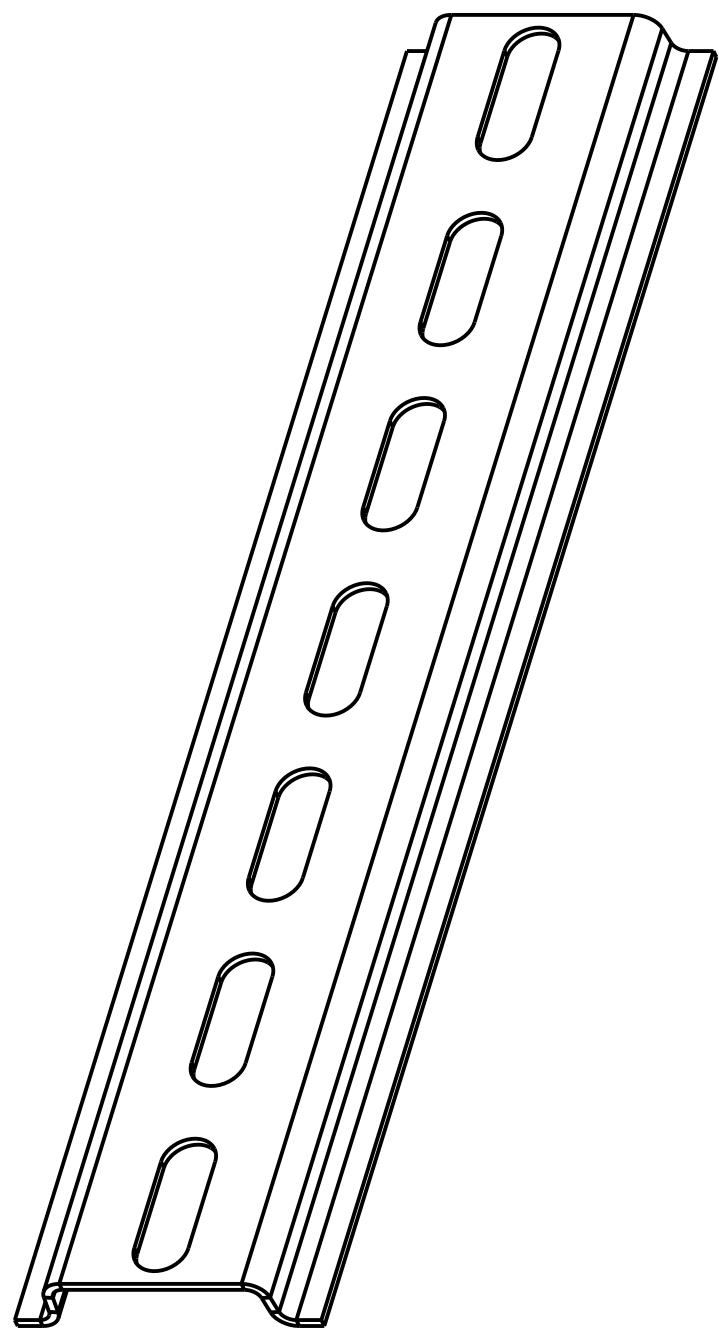
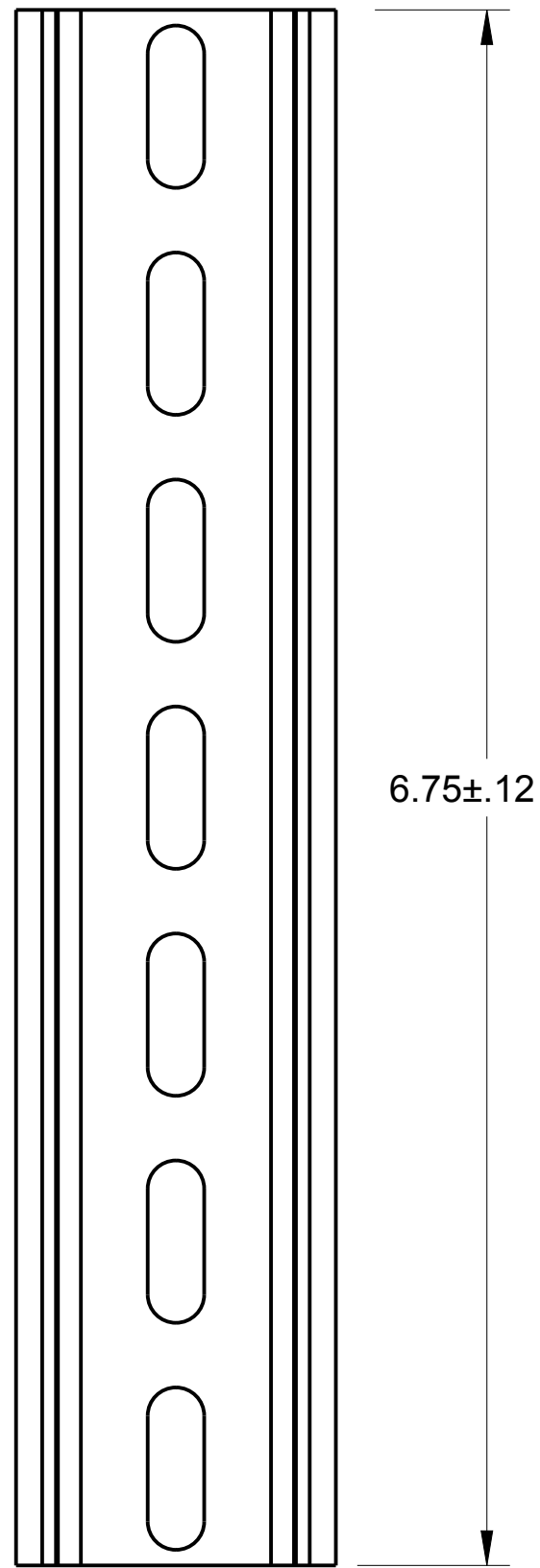
D

C

C

B

B



NOTES:
 1. MATERIAL: MAKE FROM PART NO. 9915000-84-55
 2. REMOVE ALL BURRS AND BREAK SHARP EDGES

						INTEGRA ENCLOSURES		<small>MUM INDUSTRIES</small> <small>7750 TYLER BLVD MENTOR, OHIO (440) 289-8155 FAX (440) 289-8188</small>			
<small>DEFAULT TOLERANCES</small> DECIMAL .XX ±0.01 .XXX ±0.005						<small>SCALE</small> 1.25		<small>SHEET</small> 1 of 1		<small>DRAWN BY</small> W.TIDWELL	
<small>FRACTIONAL</small> ± 1/64						<small>TITLE</small> MACHINE DIN 35 RAIL 6.75					
<small>ANGULAR</small> ±1°						<small>DATE</small> 12.26.12		<small>DRAWING NUMBER</small> 9915008-84-55			<small>REV</small> A
<small>REV</small> A	<small>DESCRIPTION</small> RELEASED TO PRODUCTION AT REV A					<small>BY</small> W.T.	<small>DATE</small> 12-26-12	<small>ECN NO.</small> 12-26-12	<small>APPROVED BY</small> W.T.		

4

3

2

1

A

A