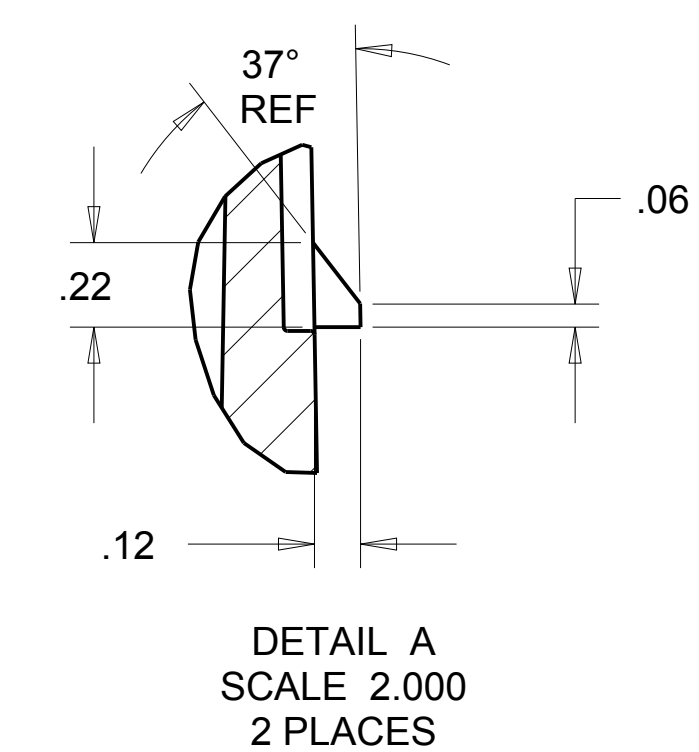
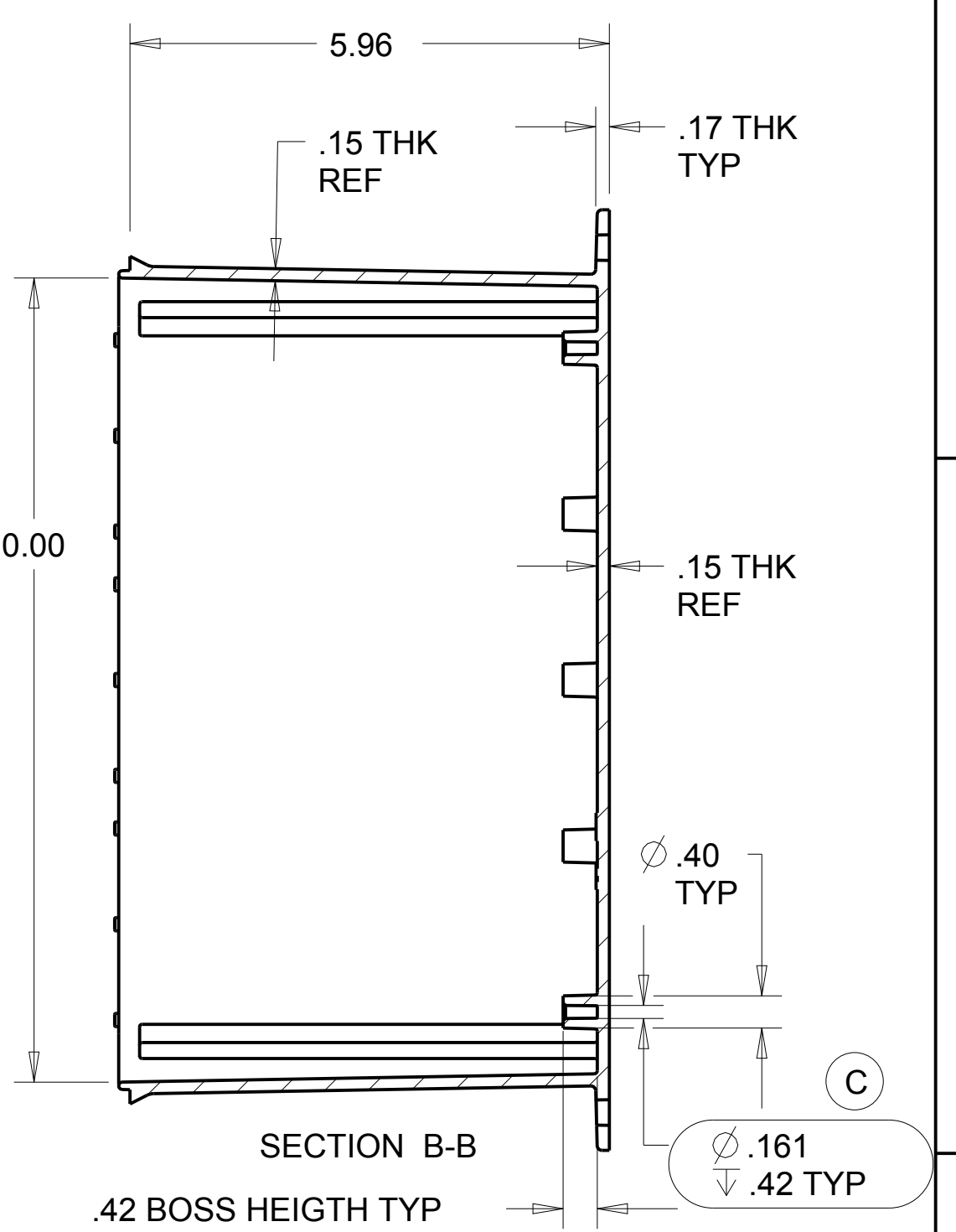
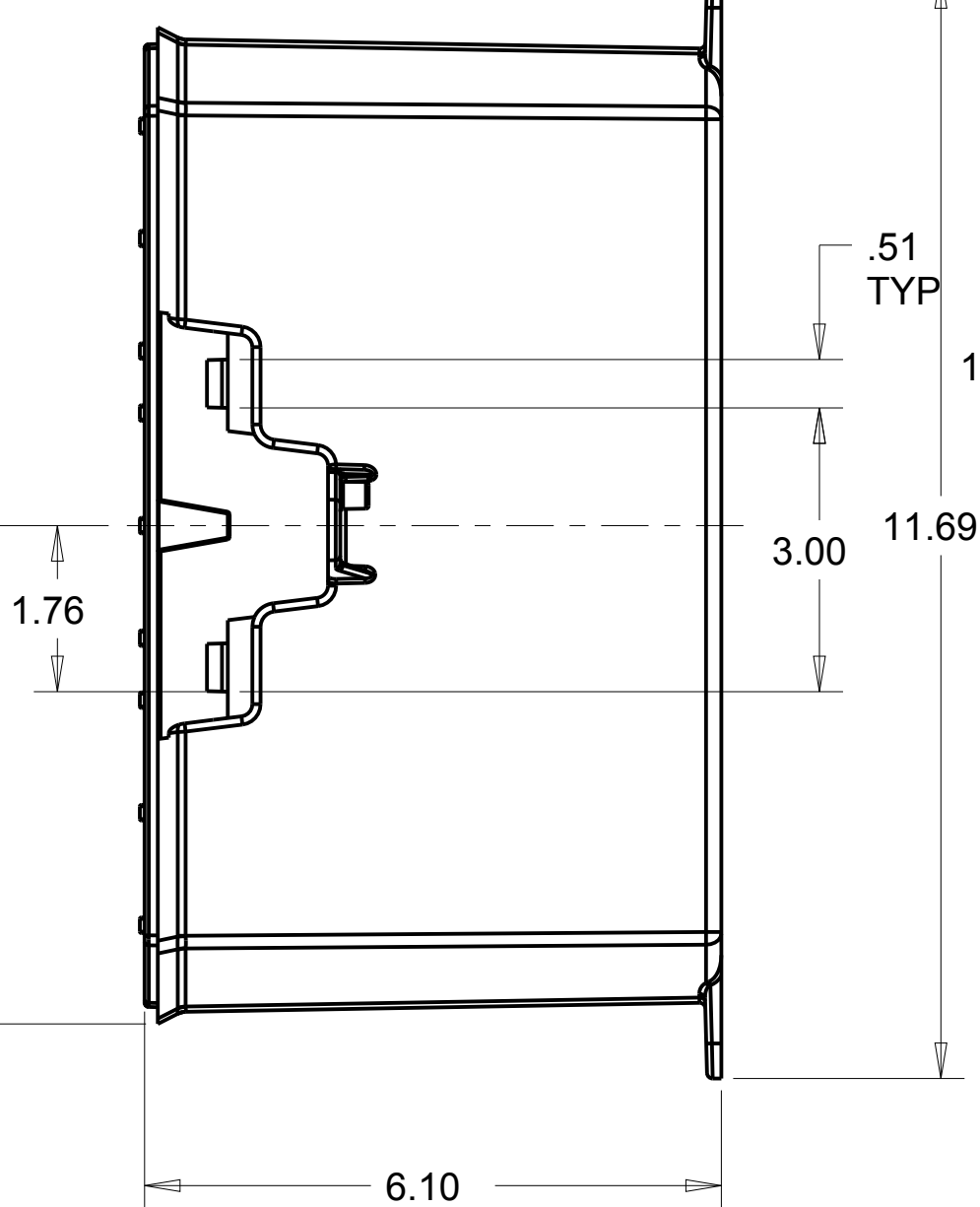
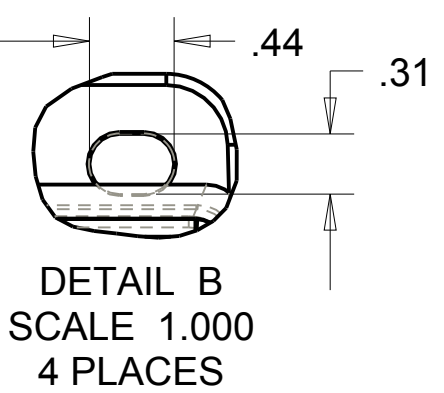
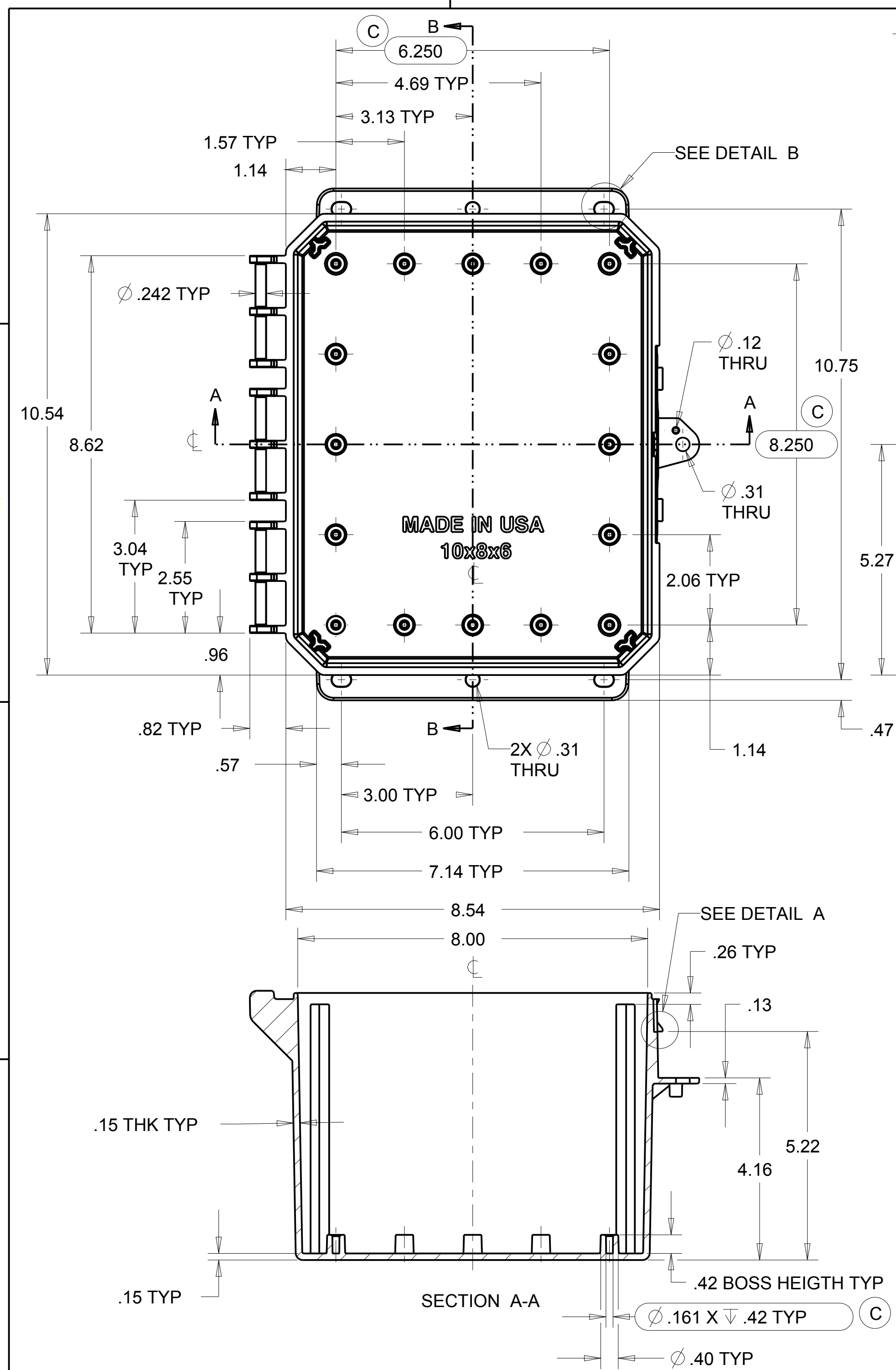


4

3

2

1



NOTES:

1. MATERIAL: POLYCARBONATE, PC-FRO
UL RECOGNIZED 94V-0, 94 5VA
2. WEIGHT OF PART IS 2.5 LBS.
3. ALL FILLETS AND CORNER RADII TO BE .01 INCH UNLESS OTHERWISE SPECIFIED.
4. TOOL MAKER TO DETERMINE GATE LOCATION.
5. GATE SHALL BE FLUSH TO .02 INCH RECESSED.
6. MOLD FLASH NOT TO EXCEED .01 INCH.
7. CONTAMINATION, BURNING AND DISCOLOR ARE NOT PERMITTED.
8. PARTS MUST BE COMPLETELY FILLED. NO SHORTS.
9. DRAG MARKS, PIN MARKS, SPLAY MARKS, FLOW LINES, PULLING VOIDS, CRACKS AND WARPING ARE NOT PERMITTED.
10. OVAL SYMBOL AROUND DIMENSION DENOTE INSPECTION.
11. BULK SHIPMENT (PACKAGE) PART TO PREVENT DAMAGE DURING SHIPMENT.

Ⓢ PART NUMBER: P1086BH
MOLD NUMBER: 2535-E

REV	DESCRIPTION	BY	DATE	ECN NO.	APPROVED BY
C	RELEASED TO PRODUCTION AT REV C. ADDED MATERIAL INFO. ADDED PART & MOLD NO. ADDED NOTES 2,7,8&9. ADDED INSPECTION DIMENSIONS.		11-14-11	26	
B	RELEASED TO REFLECT 4-1-11 FILE AT REV B		3-30-11		

DEFAULT TOLERANCES DECIMAL .XX ±0.01 .XXX ±0.005 FRACTIONAL ± 1/64 ANGULAR ±1°	SCALE 1/2:1	SHEET 1 of 1	DRAWN BY W.TIDWELL	MUM INDUSTRIES 7750 TYLER BLVD MENTOR, OHIO (440) 269-8155 FAX (440) 269-8168
TITLE 10X8X6 IMPACT, STANDARD EXTERNAL HINGED BASE, INT. LOCKING LATCH			DATE 03.30.11	DRAWING NUMBER P1086BH
				REV C