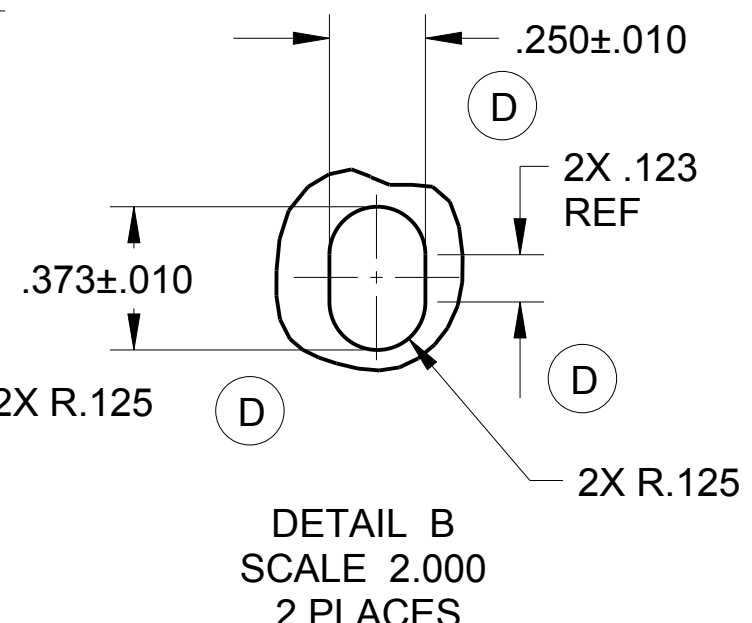
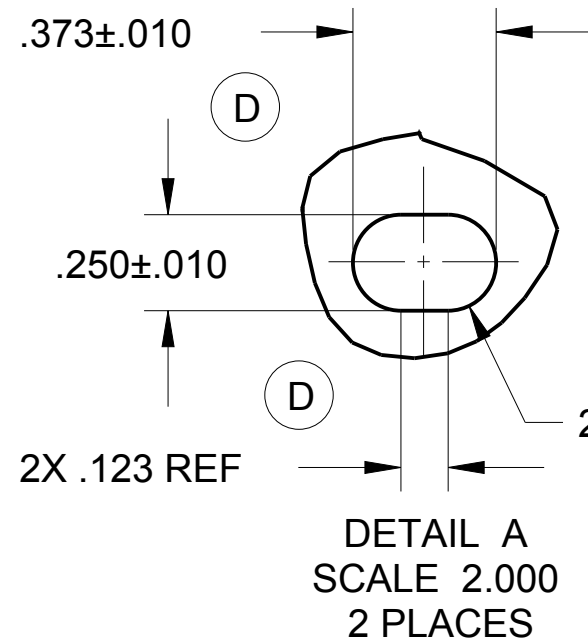


PART NO.	SIZE	A	B	C	D
9912581-84-00	6X6	4.25	4.25	4.88	4.88
9912585-84-00	8X6	4.25	6.25	4.88	6.88
9912584-84-00	8X8	6.25	6.25	6.88	6.88
9912582-84-00	10X8	6.25	8.25	6.88	8.88
9912592-84-00	10X8X2	5.46	7.92	6.80	8.75
9912583-84-00	12X10	8.24	10.24	8.88	10.88
9912588-84-00	14X12	10.25	12.25	10.88	12.88
9912589-84-00	16X14	12.25	14.25	12.88	14.88
9912590-84-00	18X16	14.25	16.25	14.88	16.88



DO NOT SCALE DRAWING

**NOTES:**  
 MATERIAL: 14 GAUGE STEEL  
 FINISH: POWDER COATED WHITE  
 DIMENSIONS APPLY AFTER POWDER COAT

**CONFIDENTIAL**  
 THIS PRINT AND THE SPECIFICATIONS ARE THE PROPERTY OF INTEGRA INC. AND HAS BEEN ISSUED WITH THE UNDERSTANDING THAT IT WILL NOT BE REPRODUCED, REVEALED TO, OR USED FOR MANUFACTURE FOR OTHERS, AND WILL BE RETURNED UPON REQUEST.  
 (C) DATE 9-13-07  
 INTEGRA INC.  
 ALL RIGHTS RESERVED.

**TOLERANCES**  
 ALL DIMENSIONS EXCEPT WHERE OTHERWISE SHOWN.  
 ANGLES ± 0° 30'  
 DECIMALS ± .01 XX ± .005 XXX  
 FRACTIONS ± ~

REVISIONS					
REVISION	REVISION LOCATION	DESCRIPTION	BY	DATE	ECN NO.
B		REVISED THRU HOLES TO SLOTTED HOLES. ADDED .22 DIAMETER THRU HOLES. ADDED NOTE DIMENSIONS APPLY AFTER PAINT	W.T.	11-14-11	37
C		P/N 9912583-15-50 REV DIM FROM 8.24 TO 8.25, FROM 10.25 TO 10.24	W.T.	11-14-12	2012-131
D		REV DIM FROM .078 TO .113 & MADE REF., REV DIM FROM .118 TO .125 ADDED .363 DIMENSION. ADDED SIZE	W.T.	12-10-13	2013-230

**INTEGRA ENCLOSURES INC.**  
 WILLOUGHBY, OHIO

**STEEL BACK PANELS**

SCALE NONE  
 DR. BY MEC  
 CHK'D.  
 DATE 9-13-07

PART NO. **99125XX-84-00**  
 REVISION - D