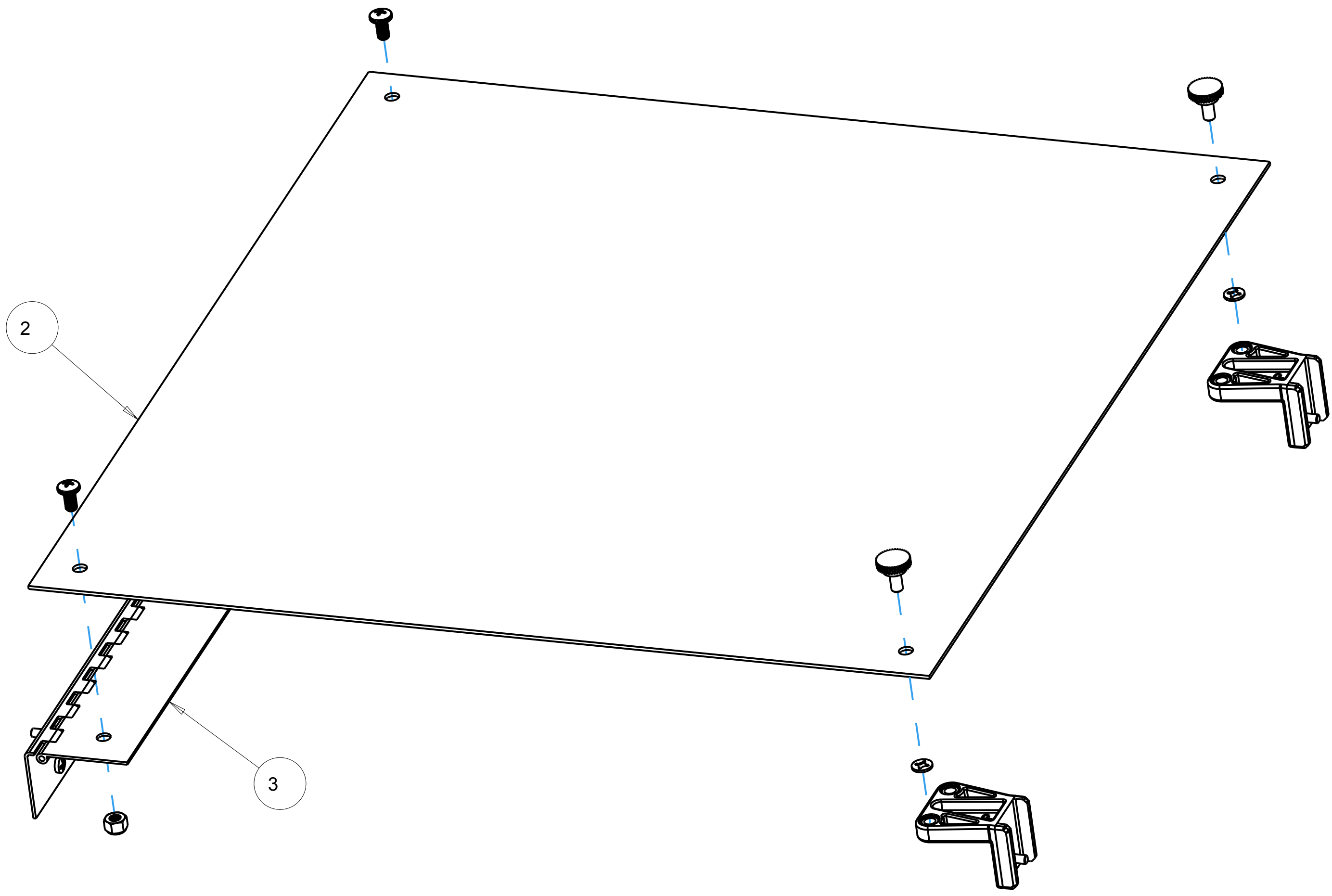


Item	PartNo	Description	Qty
1	9914014-18-00	POLY BAG,24X24 (2MIL)	1
2	ABP2424	2424 BACK & SWING PANEL KIT,	1
3	GSOPK24	2424 SWING OUT PANEL KIT	1



PART NUMBER: ABP2424 GSOPK

REV	DESCRIPTION	BY	DATE	ECN NO.	APPROVED BY
A	RELEASED TO PRODUCTION AT REV A	W.T.	11-7-11	35	

DEFAULT TOLERANCES DECIMAL .XX ±0.01 .XXX ±0.005 FRACTIONAL ± 1/64 ANGULAR ±1°		SCALE 1.000	SHEET 1 of 1	DRAWN BY W.TIDWELL	MUM INDUSTRIES 7750 TYLER BLVD MENTOR, OHIO (440) 289-8155 FAX (440) 289-8188
TITLE 2424 SWING OUT PANEL SYSTEM, ALUMINUM			DATE 10.31.11	DRAWING NUMBER ABP2424 GSOPK	REV A