

4

3

2

1

D

D

C

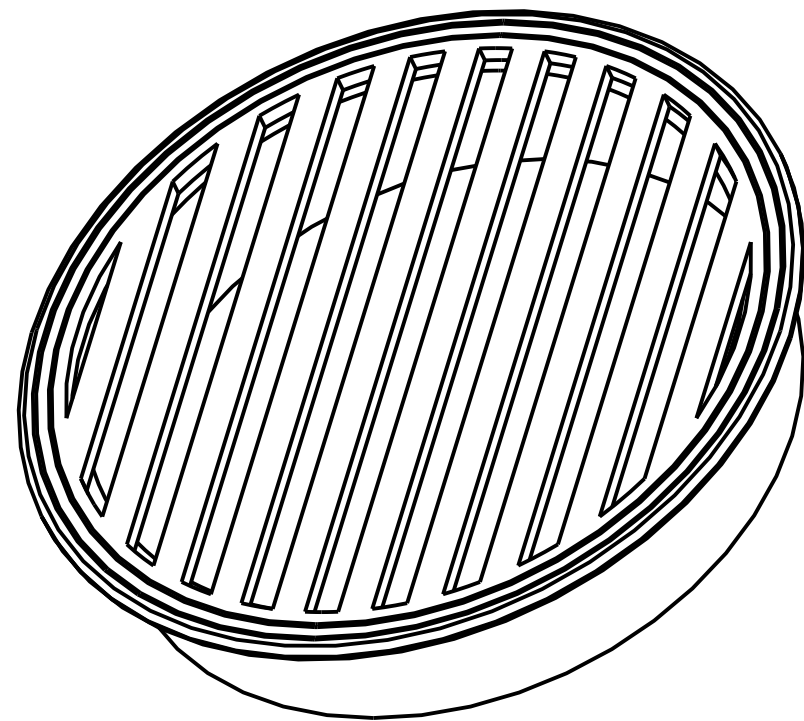
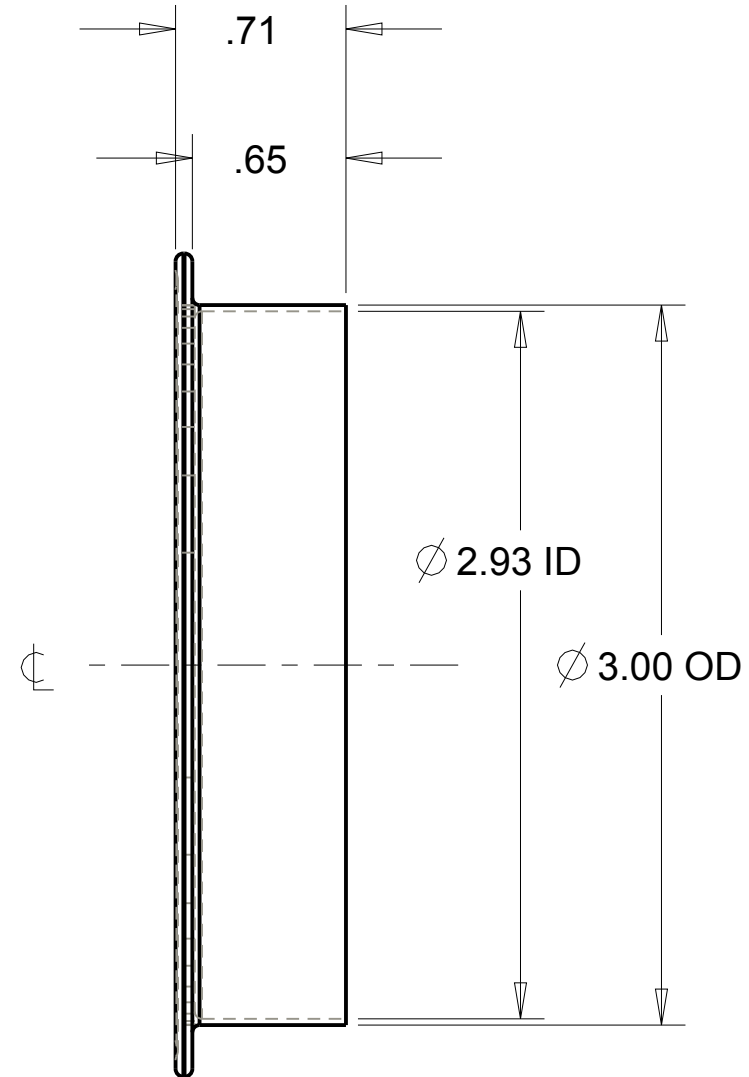
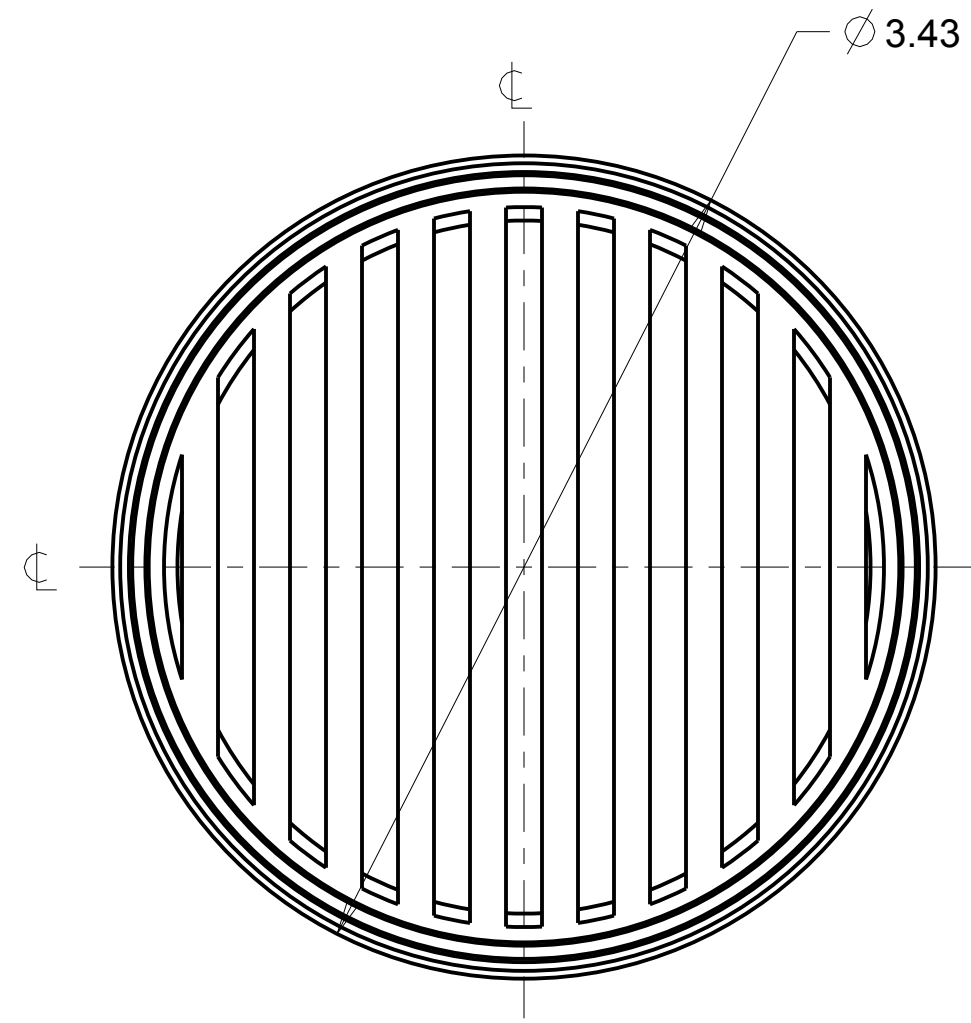
C

B


B

A

A



NOTES:  
1. MATERIAL: ALUMINUM

		DEFAULT TOLERANCES				<small>MUM INDUSTRIES 7750 TYLER BLVD MENTOR, OHIO (440) 289-8155 FAX (440) 289-8188</small>	
		DECIMAL .XX ±0.01 .XXX ±0.005	SCALE 1.000	SHEET 1 of 1	DRAWN BY W.TIDWELL		
		FRACTIONAL ± 1/64	TITLE 3 INCH LOUVERED VENT				
		ANGULAR ±1°	DATE 04.04.11	DRAWING NUMBER VENT-3		REV A	
A	RELEASED AT REV A	W.T.	4-4-11				
REV	DESCRIPTION	BY	DATE				

4

3

2

1