



## GENESIS POLYCARBONATE ENCLOSURE

### Features and Benefits

- Integra's largest series of polycarbonate enclosure offering
- Light gray in color with high gloss finish
- Featuring Integra's unique "Multi-Max Rail Mounting System" (an extremely flexible interior mounting system)
- Sturdy, full length piano hinged door
- Extra rigid construction utilizing unique internal Multi-Max frame
- Brass inserts on rear wall of enclosure and on lid for more mounting options
- Integrated mounting flanges eliminate the need to affix to the enclosure
- Available in multiple closure options: non-metallic, quarter turn or three point latch configurations
- UL/C-UL-50 listed (File # E207562)

The Integra Genesis series represents the beginning of best medium sized non metallic enclosures available. The unmatched flexibility of the interior of this enclosure combined with off the shelf accessories make the first of the Genesis series enclosures ideal for almost any application.

Mechanical and Thermal Test Spec.	Unit	Genesis Line
Instrumented Dart Impact @ 73° F	in/lb.	565
Falling Ball Impact @ 73° F	UL-746 in/lb.	900
Deflection Temperature @ 264 psi	ASTM D648 Deg. F	270
Modulus of Elasticity	m ASTM D790 ksi	340
Temperature Range	Deg. F	-40 to 265

Flammable / UV Ratings Test Spec.	Unit	Genesis Line
Flame Rating - UL	UL 94	5VA
Outdoor UV Exposure	UL	f1

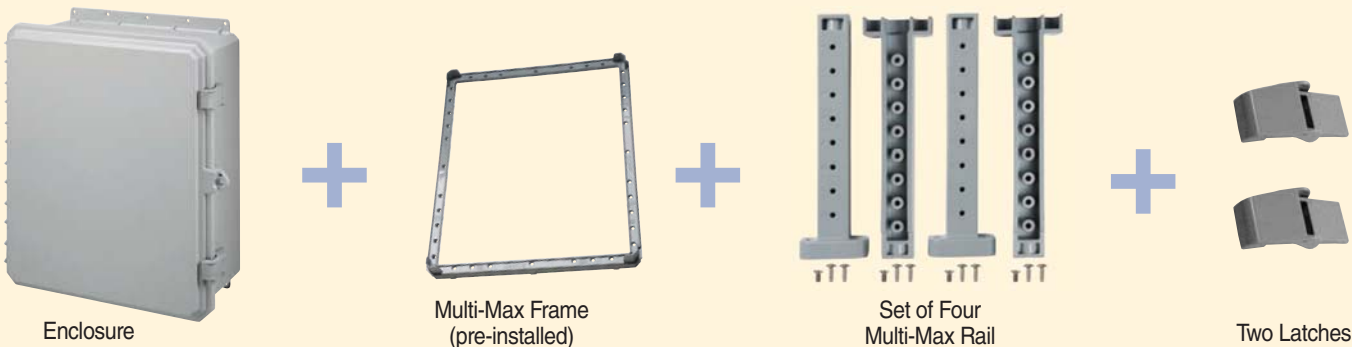


Atex pending, contact factory for details

20x16 P/N	Nema 4X (IP66)	Hinged Cover	Opaque Cover	Clear Cover	Integrated Mounting Flange	Non-Metallic Locking Latch	Multi-Max Rail System	3-Point Latch	1/4 Turn Latch
G201608	✓	✓	✓		✓	✓	✓		
G201608C	✓	✓		✓	✓	✓	✓		
G201608TPL	✓	✓	✓		✓		✓	✓	
G201608CTPL	✓	✓		✓	✓		✓	✓	
G201608QTL	✓	✓	✓		✓		✓		✓
G201608CQTL	✓	✓		✓	✓		✓		✓
G201608-E	✓	✓	✓		✓	✓			
G201608C-E	✓	✓		✓	✓	✓			

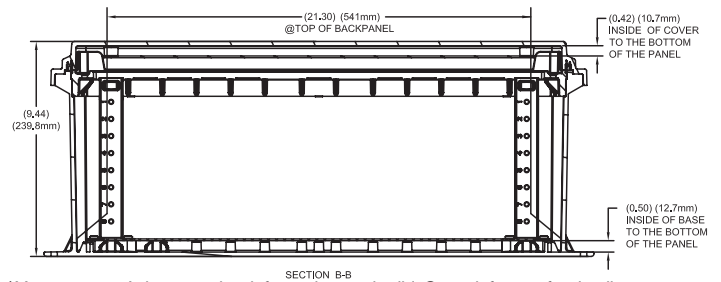
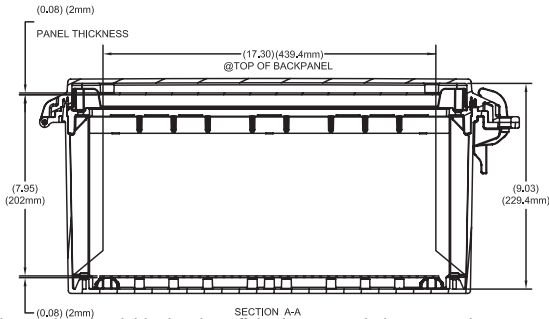
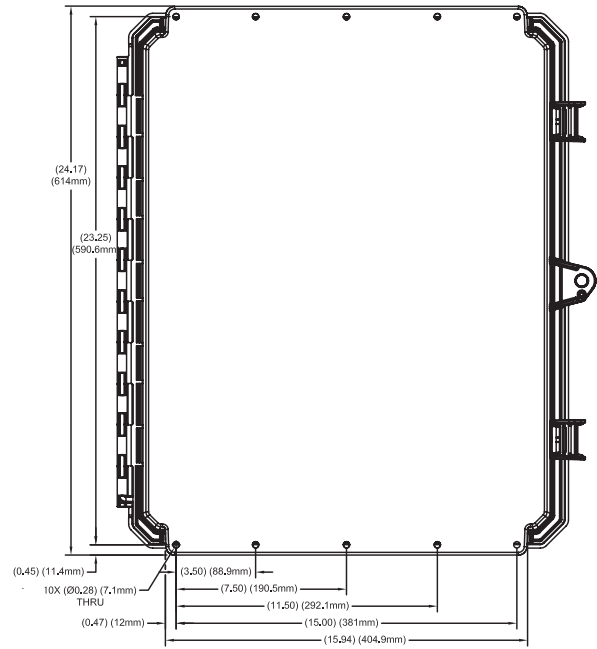
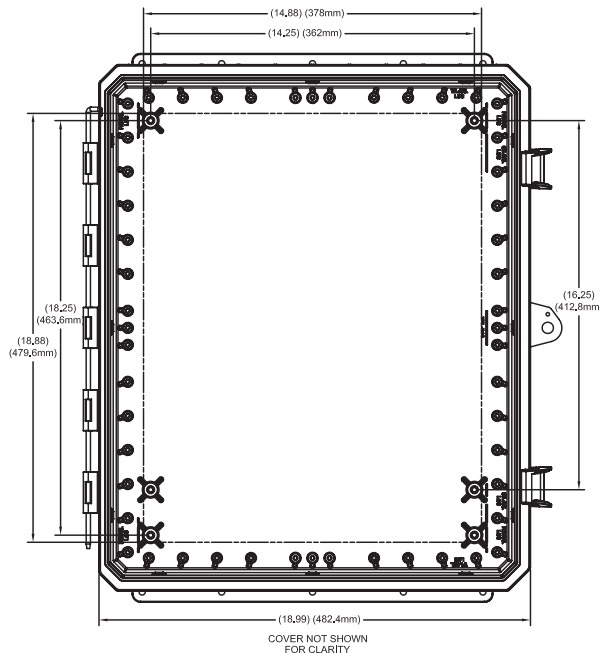
## G201608 includes the following

Enclosure, Multi-Max Frame, Set of Four Multi-Max Rails (with Screws), and Two Latches





# 20X16X08 GENESIS LINE



Register online to download this drawing off the Integra website at [www.integraenclosures.com](http://www.integraenclosures.com) | Your company's logo or other information on the lid. Consult factory for details.

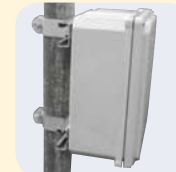
## Accessories for 20x16x08 Genesis (For complete accessories, see page 52 & 55)



**Multi-Max Rails**  
**KIT-GMMR8** - Four multi-max rails with screws included



**Panel Pads**  
**KIT-GPP-2016**  
Includes four panel pads and screws



**Pole Mounting Kits**  
**PMKG-216** - 2" pole  
**PMKG-316** - 3" pole  
**PMKG-416** - 4" pole  
**PMKG-1216** - 12" pole



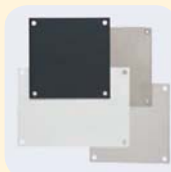
**Polycarbonate Latches**  
**KIT-GPCL-2PK**  
Non-metallic latches (package of 2 latches)



**Self-Tapping Screws**  
**GSP-10** - Self-tapping screws for bosses (10 per pack)



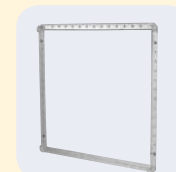
**Swing Out Panel System**  
**ABP2016-GSOPK** - Aluminum swing panel includes ABP2016 and GSOPK20  
**SBP2016-GSOPK** - Steel swing panel includes SBP2016 and GSOPK20  
**GSOPK20** - 20" hinge, panel pads and screws (panel not included)



**Back and Swing Panels**  
**ABP-2016** - Aluminum panel  
**SBP-2016** - Steel panel  
**PVCBP-2016** - PVC panel



**Fan Shroud Kits**  
**FSK-1** - One shroud with gasket and screws  
**FSK-2** - Two shrouds with gasket and screws



**Multi-Max Frame**  
**GSR2016** - Multi-Max frame support ring