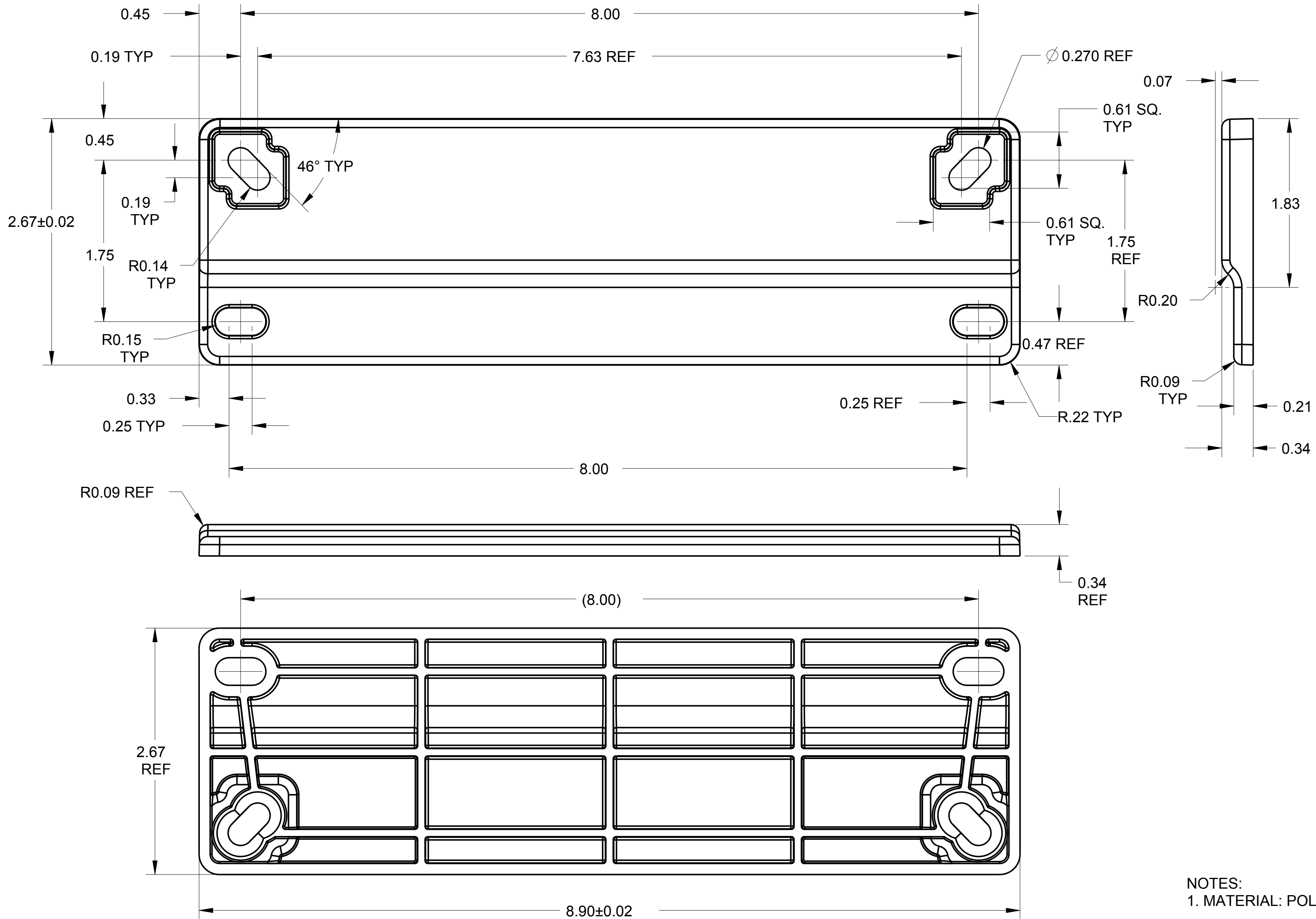


4

3

2

1



NOTES:  
1. MATERIAL: POLYCARBONATE

REV	DESCRIPTION	BY	DATE	ECN NO.	APPROVED BY
A	RELEASED TO PRODUCTION AT REV A	W.T.	1-21-11		

DEFAULT TOLERANCES	SCALE	SHEET	DRAWN BY
DECIMAL .XX ±0.01 .XXX ±0.005	1.25	1 of 1	W.TIDWELL
FRACTIONAL ± 1/64	TITLE 10 INCH MOUNTING FLANGE		
ANGULAR ±1°	DATE	DRAWING NUMBER	REV
	01.21.11	MFLK10	A

4

3

2

1