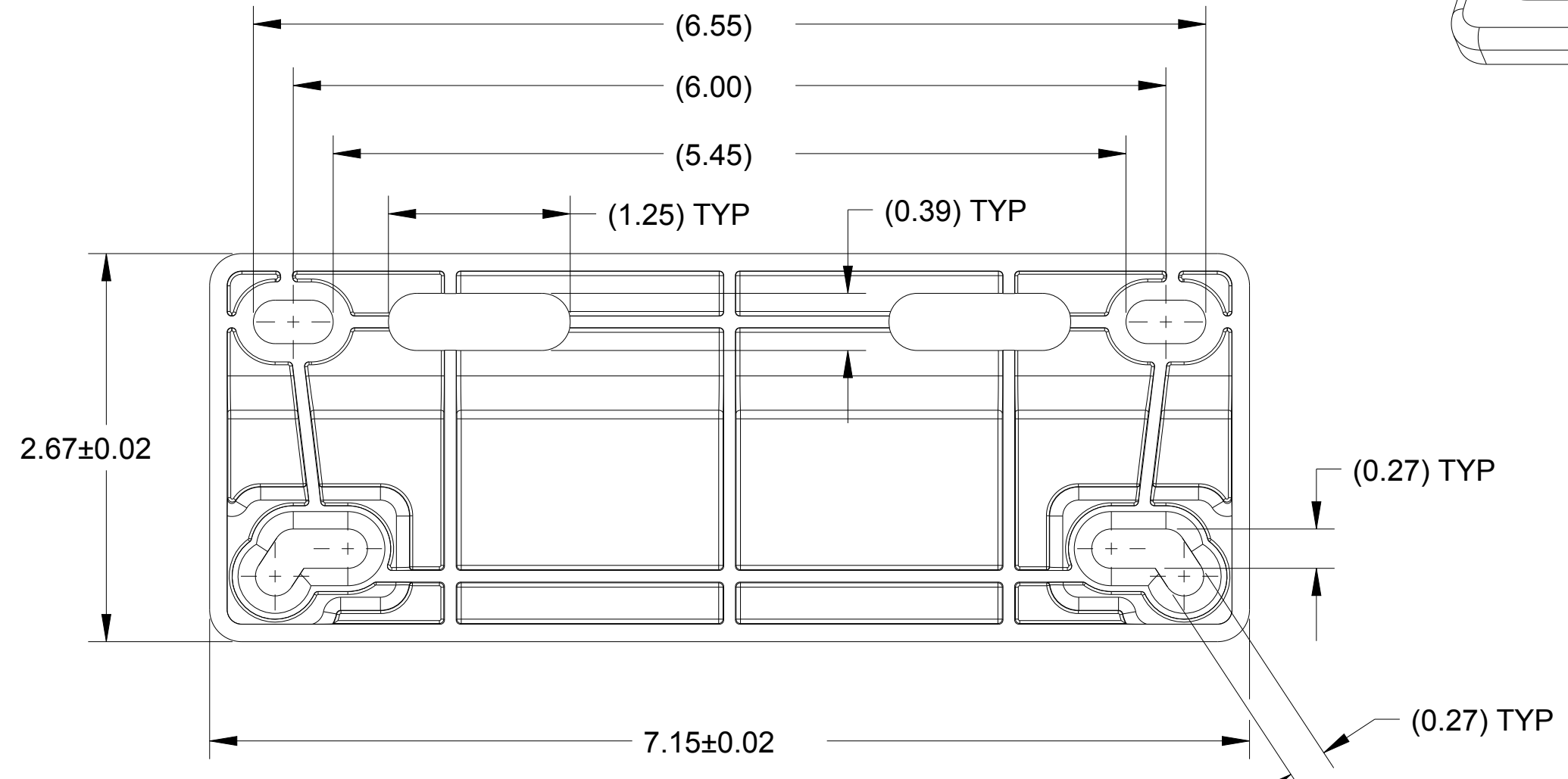
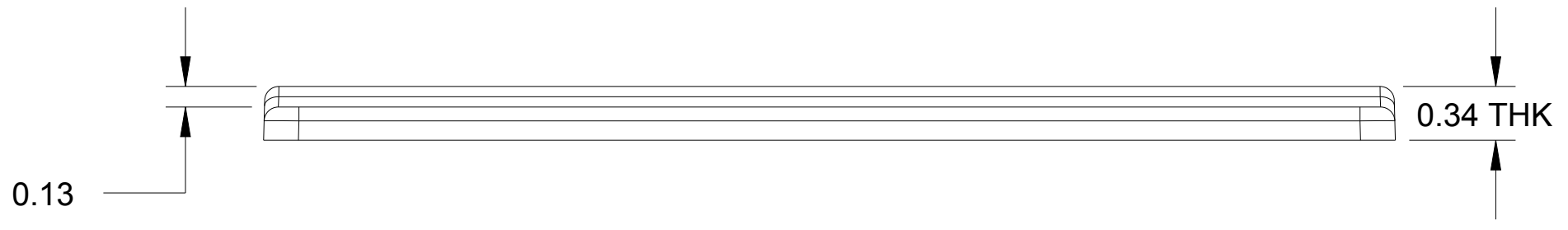
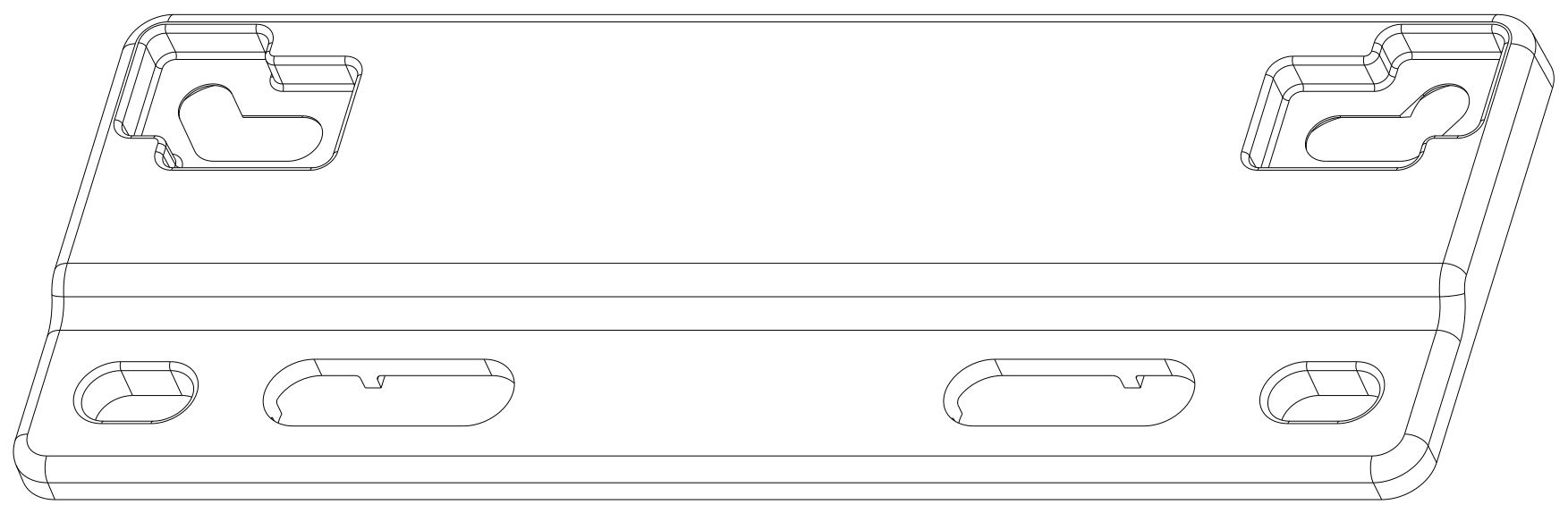
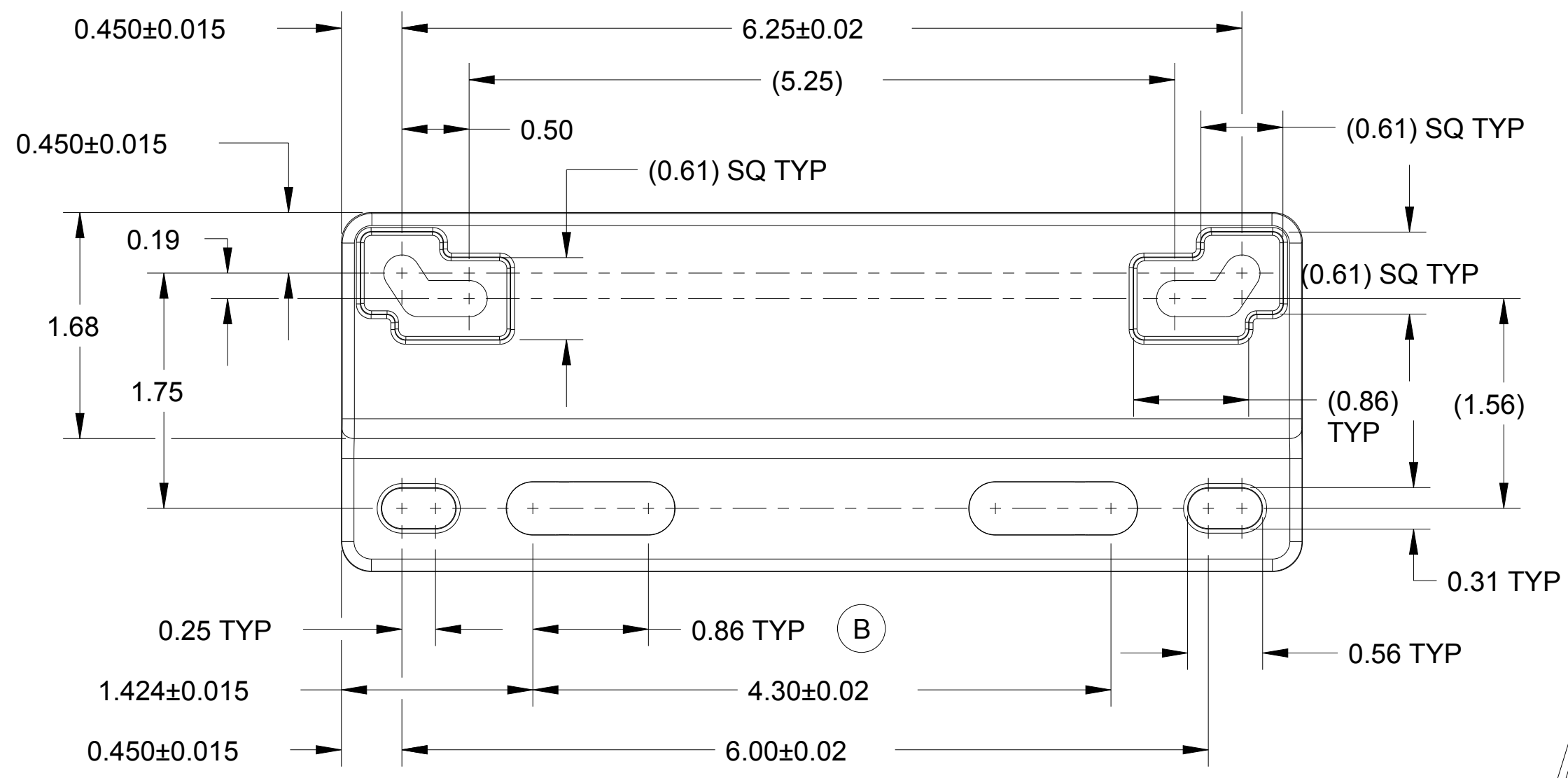


4

3

2

1



- NOTES:
1. MATERIAL: POLYCARBONATE, PC-FR0
UL RECOGNIZED 94V-0, 94 5VA.
 2. COLOR: INTEGRA GRAY, PANTONE 422 C
 3. ALL FILLETS AND CORNER RADII TO BE .01 INCH UNLESS OTHERWISE SPECIFIED.
 4. GATE SHALL BE FLUSH TO .02 INCH RECESSED.
 5. MOLD FLASH NOT TO EXCEED .01 INCH.
 6. CONTAMINATION, BURNING AND DISCOLOR ARE NOT PERMITTED.
 7. PARTS MUST BE COMPLETELY FILLED. NO SHORTS.
 8. DRAG MARKS, PIN MARKS, SPLAY MARKS, FLOW LINES, PULLING VOIDS, CRACKS AND WARPING ARE NOT PERMITTED.

DEFAULT TOLERANCES DECIMAL .XX ±0.01 .XXX ±0.005 FRACTIONAL ± 1/32 ANGULAR ±1°						MUM INDUSTRIES 7750 TYLER BLVD MENTOR, OHIO (440) 289-8155 FAX (440) 289-8186	
SCALE 1.000				SHEET 1 of 1		DRAWN BY W.TIDWELL	
TITLE 8 INCH MOUNTING FLANGE				DATE 01.06.14		DRAWING NUMBER MFLK8	
B ADDED SLOT (2X), 1.25 X 0.39, TO REFLECT WHAT'S CURRENTLY MOLDED FOR PRODUCTION.				W.T. 04-14-2015 2015-XXX		REV B	
A RELEASED TO PRODUCTION AT REV A				W.T. 1-6-14		REV B	
REV DESCRIPTION				BY DATE ECN NO. APPROVED BY		REV B	

4

3

2

1