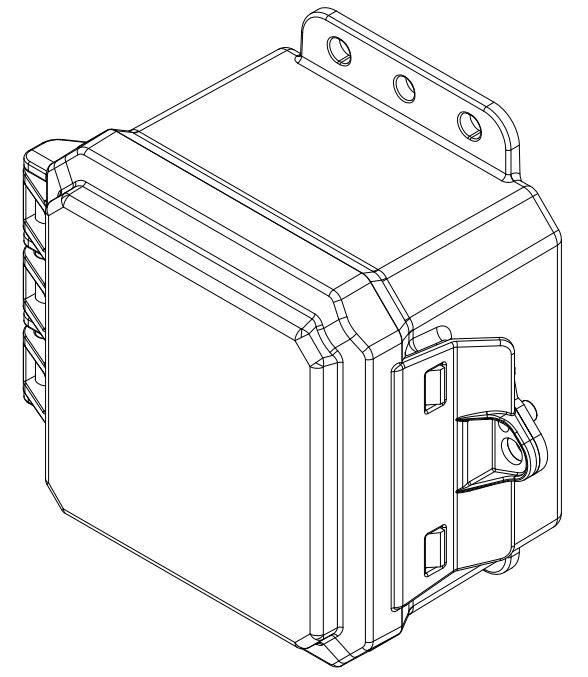
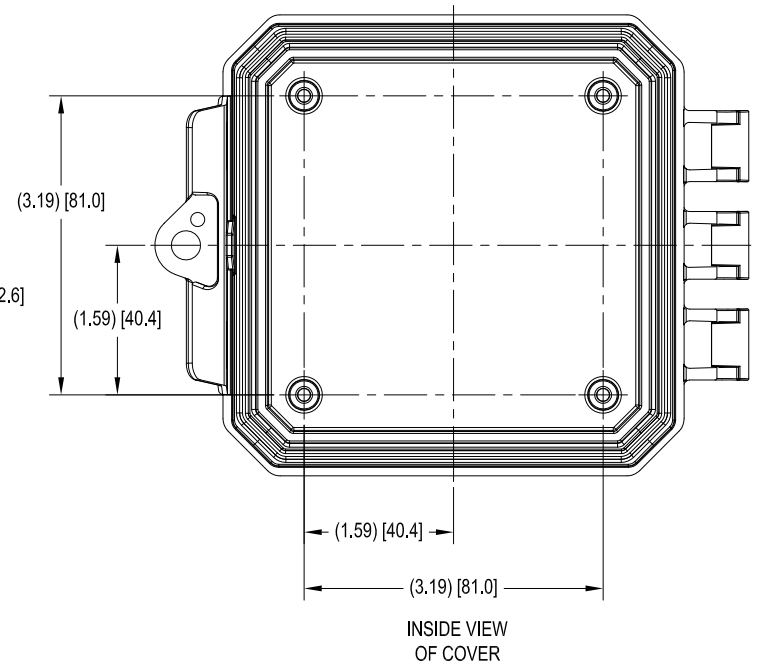
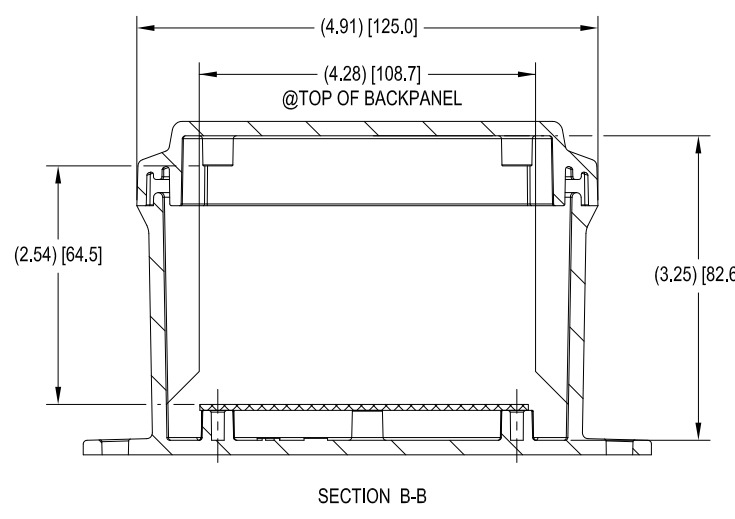
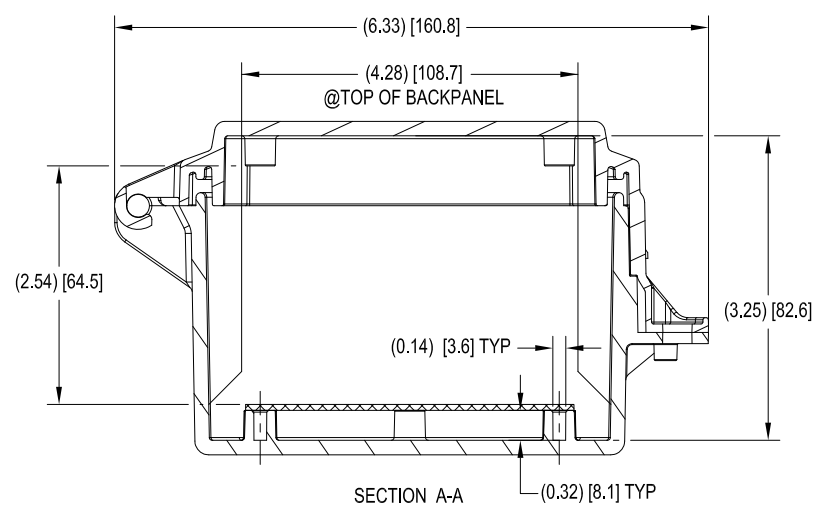


COVER NOT SHOWN FOR CLARITY



⌀ DIMENSIONS IN INCHES (UNLESS SPECIFIED)

PROPRIETARY AND CONFIDENTIAL:
THE INFORMATION CONTAINED IN THIS/ THESE DRAWING(S) IS/ ARE THE SOLE PROPERTY OF MUM INDUSTRIES, INC.
ANY REPRODUCTION IN PART OR AS A WHOLE WITHOUT THE WRITTEN PERMISSION OF MUM INDUSTRIES, INC. IS PROHIBITED.

<small>DEFAULT TOLERANCES UNLESS SPECIFIED</small> DECIMAL (INCHES) .XX .XXX FRACTIONAL ANGULAR	SIZE D	SCALE 1:1	SHEET 1 of 1	DRAWN BY W. TIDWELL
TITLE P4043 EZ HINGE, INT LOCK LATCH		DATE 07-21-2016	DRAWING NUMBER P4043	REV

MUM INDUSTRIES, INC.
 7750 TYLER BOULEVARD
 MENTOR, OHIO 44060
 P: 440-298-8155
 F: 440-298-8166
 E: INFO@MUMINDUSTRIES.COM