

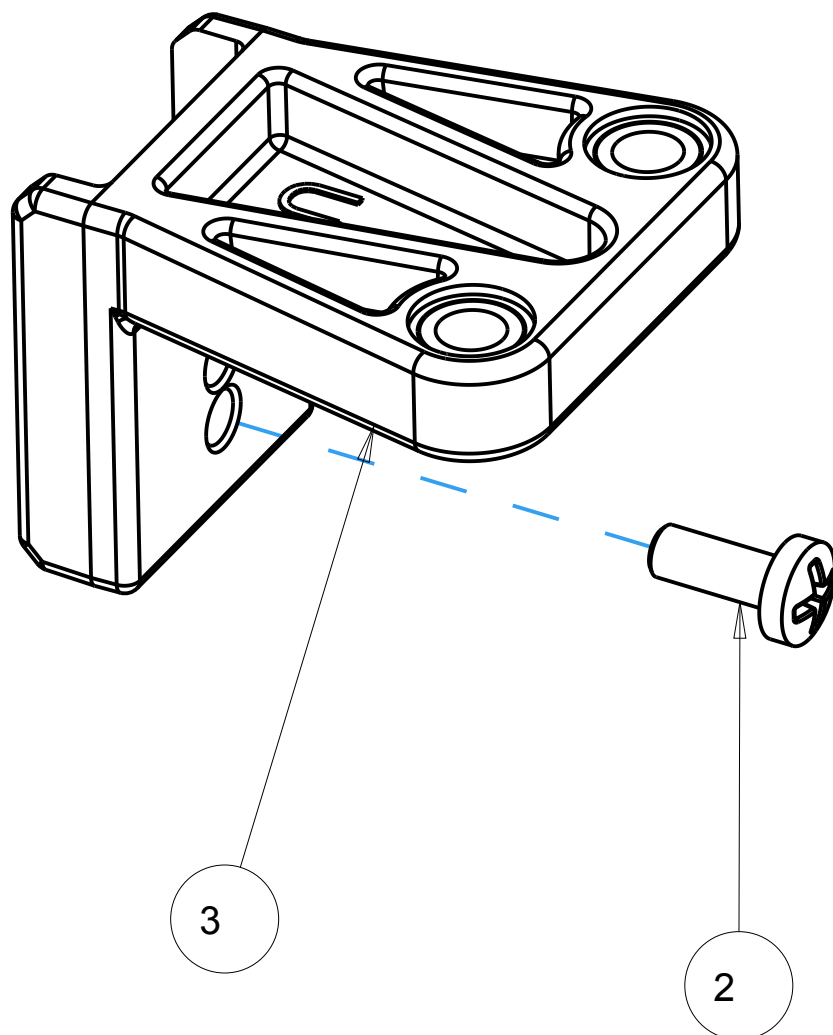
4

3


2

1

Item	PartNo	Description	Qty
1		POLY BAG	1
2		SCREW #10-16 X .50 LG TYPE25 PAN HEAD,S.S.	1
3	24241030-WTI	2424 PANEL SUPPORT BRACKET W/INSERT	4
4	INS-GPP-KIT	INSTRUCTION SHEET	4



PART NUMBER: GPP-KIT

							<small>MUM INDUSTRIES 7750 TYLER BLVD MENTOR, OHIO (440) 289-8155 FAX (440) 289-8188</small>	
<small>DEFAULT TOLERANCES</small> DECIMAL .XX ±0.01 .XXX ±0.005 FRACTIONAL ± 1/64 ANGULAR ±1°					<small>SCALE</small> 1.500	<small>SHEET</small> 1 of 1	<small>DRAWN BY</small> W.TIDWELL	
<small>REV</small> A					<small>DESCRIPTION</small> RELEASED TO PRODUCTION AT REV A		<small>W.T.</small> 10-21-11	<small>ECN NO.</small> 29
					<small>DATE</small> 10.21.11		<small>DRAWING NUMBER</small> GPP-KIT	
							<small>REV</small> A	

4

3

2

1