

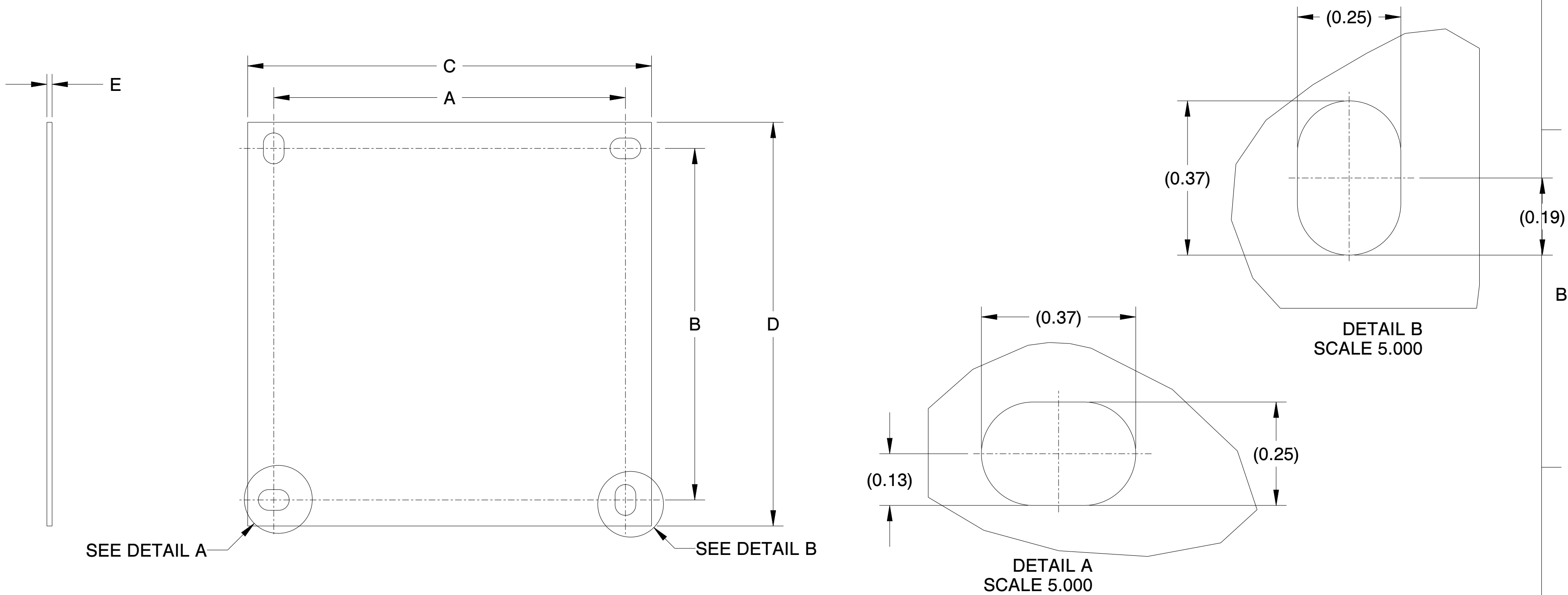
4

3

2

1

KIT PART NO	PART NO	SIZE	A	B	C	D	E
ABP-66 & ABP-66-IMP	PNLB66AL-104	6X6	4.25	4.25	4.88	4.88	0.06
ABP-66-080	PNLB66AL-115	6X6	4.25	4.25	4.88	4.88	0.08
ABP-86 & ABP-86-IMP	PNLB86AL-104	8X6	4.25	6.25	4.88	6.75	0.06
ABP-86-080	PNLB86AL-115	8X6	4.25	6.25	4.88	6.75	0.08
ABP-88 & ABP-98-IMP	PNLB88AL-104	8X8	6.25	6.25	6.75	6.88	0.06
ABP-88-080	PNLB88AL-115	8X8	6.25	6.25	6.75	6.88	0.08
ABP-108 & ABP-108-IMP	PNLB108AL-104	10X8	6.25	8.25	6.88	8.75	0.06
ABP-108-080	PNLB108AL-115	10X8	6.25	8.25	6.88	8.75	0.08
ABP-1082	PNLB1082AL-104	10X8X2	5.46	7.92	6.80	8.75	0.06
ABP-1082-080	PNLB1082AL-115	10X8X2	5.46	7.92	6.80	8.75	0.08
ABP-1210	PNLB1210AL-104	12X10	8.24	10.24	8.88	10.75	0.06
ABP-1210-080	PNLB1210AL-115	12X10	8.24	10.24	8.88	10.75	0.08
ABP-1412	PNLB1412AL-115	14X12	10.25	12.25	10.88	12.75	0.08
ABP-1614	PNLB1614AL-115	16X14	12.25	14.25	12.88	14.75	0.08
ABP-1816	PNLB1816AL-115	18X16	14.25	16.25	14.88	16.75	0.08



		MUM INDUSTRIES 8989 TYLER BLVD MENTOR, OHIO, U.S.A. (440) 269-8155 FAX (440) 269-8166	
SCALE 1.000	SHEET 1 of 1	DRAWN BY T.PAUL	
TITLE ALUMINUM BACK PANEL			
DATE 10.06.2021	DRAWING NUMBER PNLBXXXXAL-ZZZ	REV B	

UNLESS OTHERWISE SPECIFIED:  
DIMENSIONS ARE IN INCHES (mm)  
AND ARE NOMINAL ONLY

PROPRIETARY AND CONFIDENTIAL:  
THE INFORMATION CONTAINED IN THIS  
DRAWING IS THE SOLE PROPERTY OF  
INTEGRA ENCLOSURES. ANY  
REPRODUCTION IN PART OR AS A  
WHOLE WITHOUT THE WRITTEN  
PERMISSION OF INTEGRA  
ENCLOSURES IS PROHIBITED.

4

3

2

1