

4

3

2

1

D

D

C

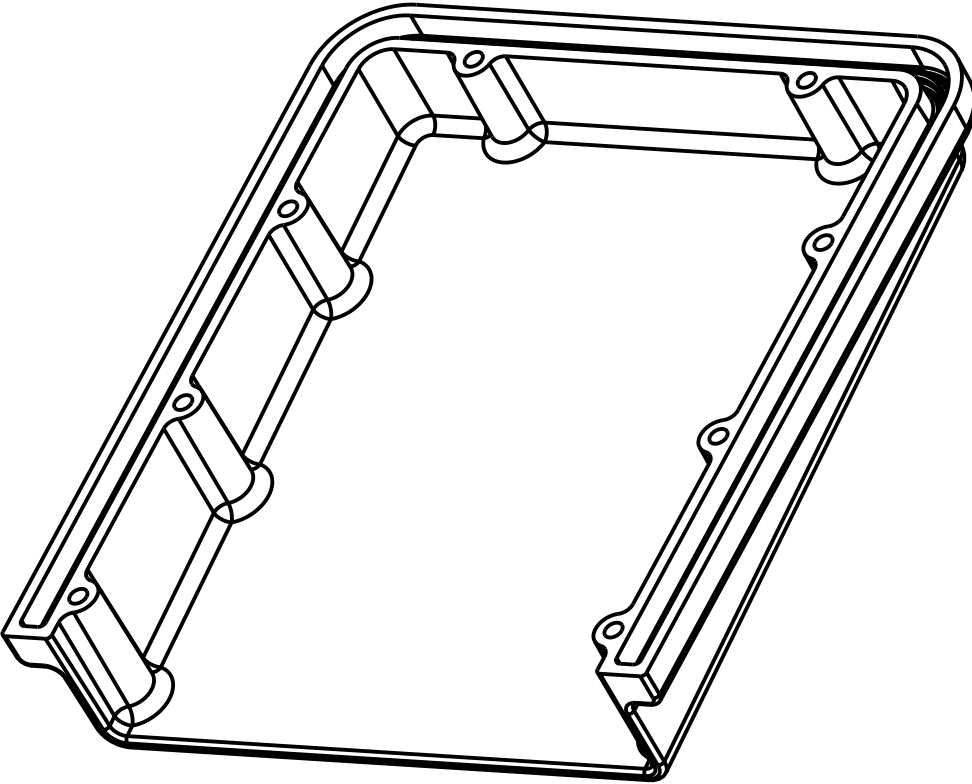
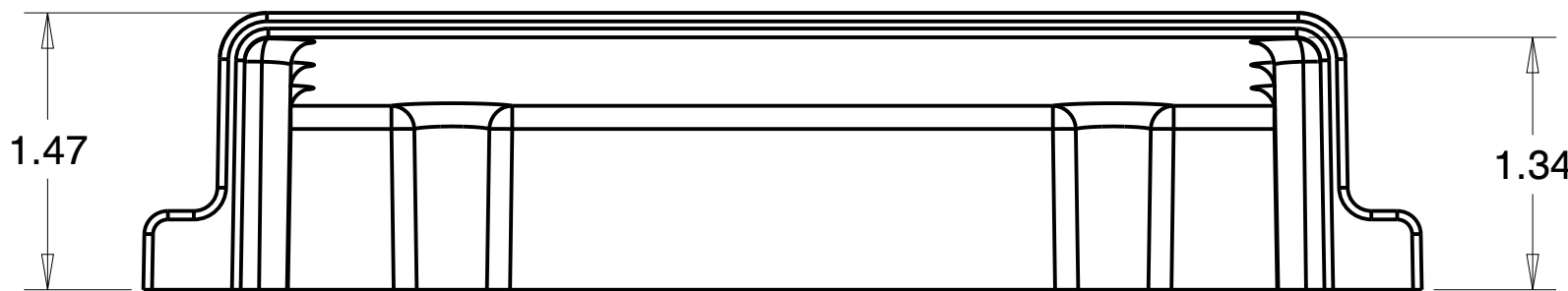
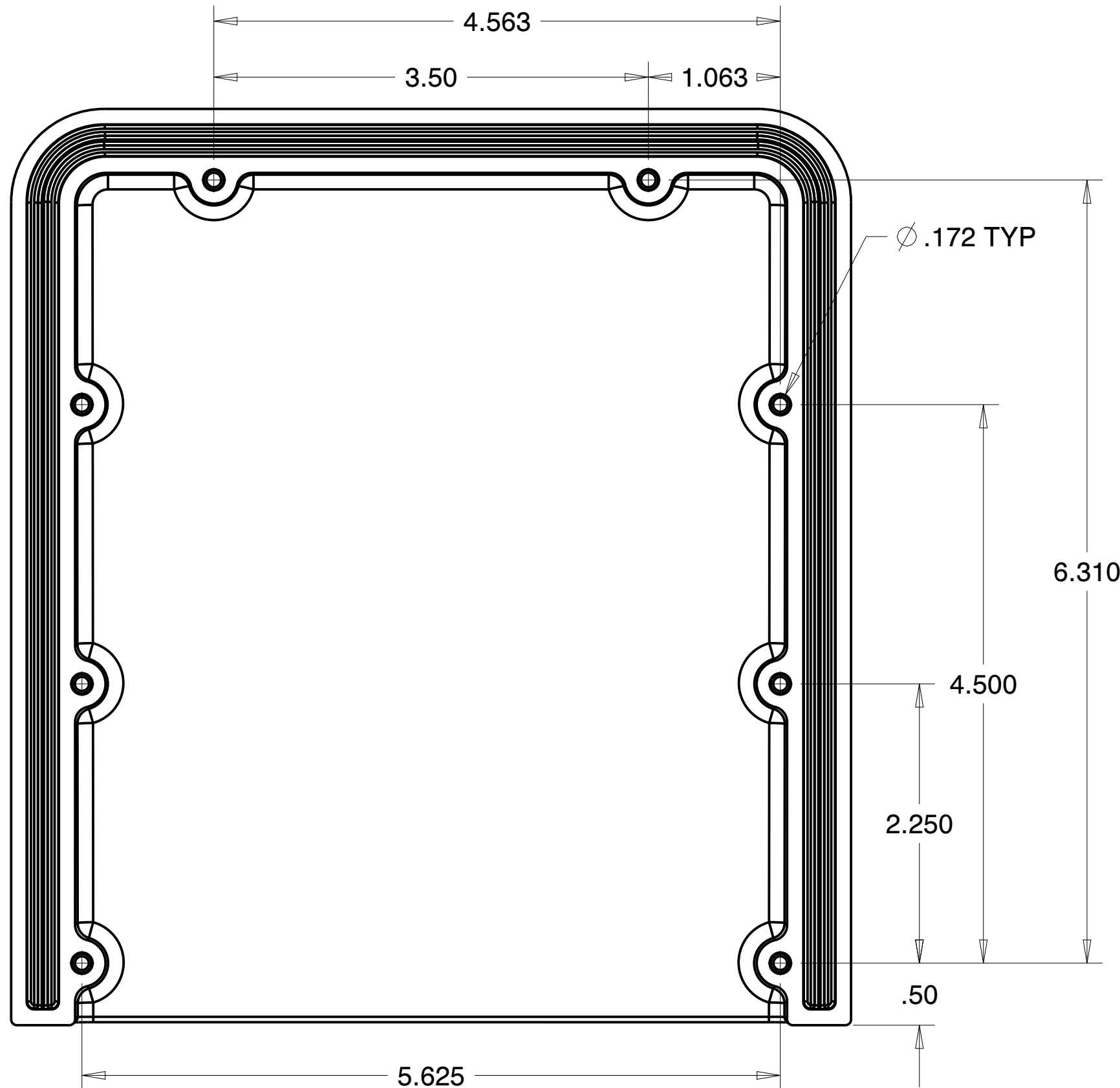
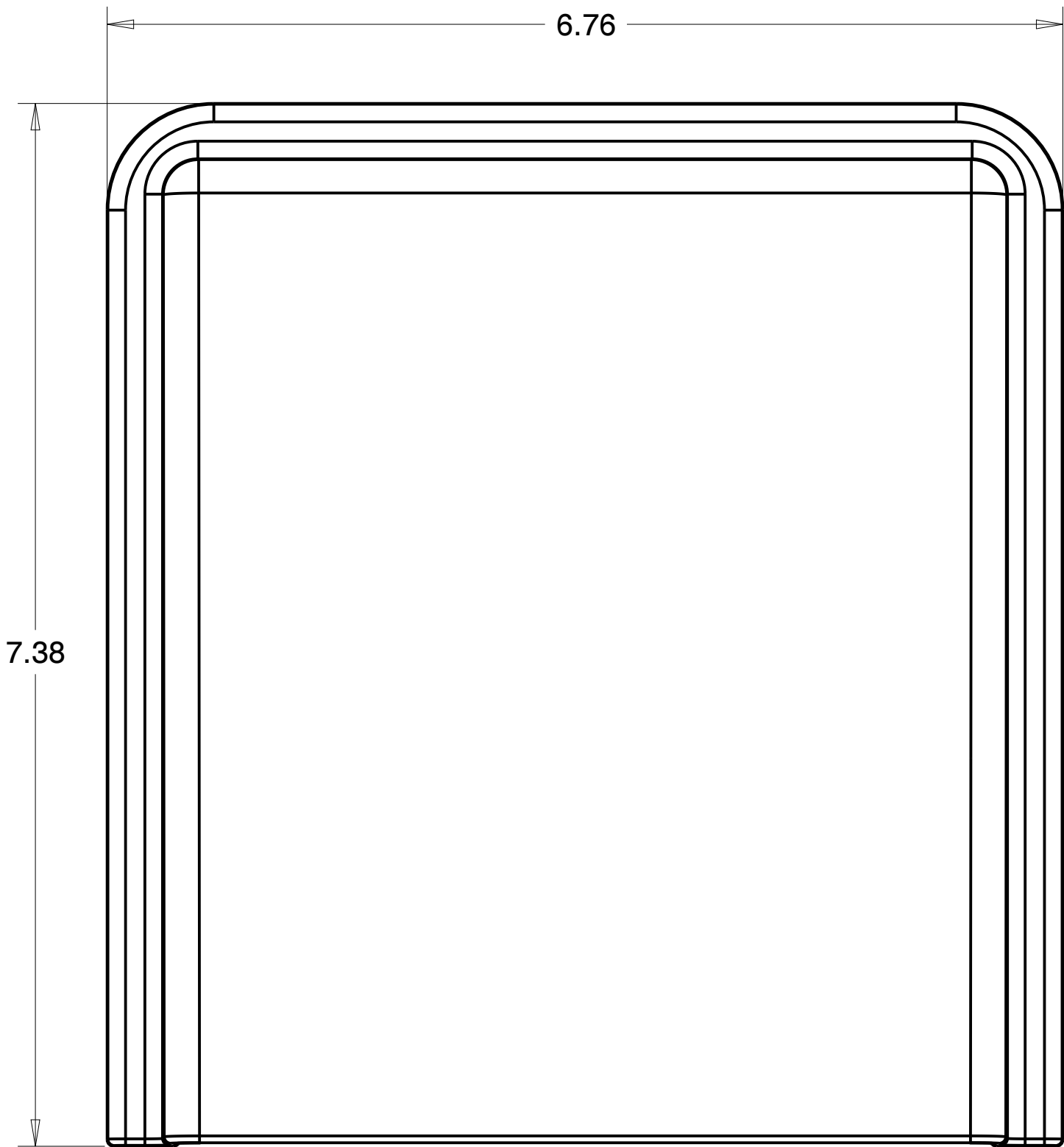
C

B

B

A

A



NOTES:
 1. MATERIAL: POLYCARBONATE
 2. DRAWING NUMBER MAY NOT MATCH KIT NUMBER

		MUM INDUSTRIES 8989 TYLER BLVD MENTOR, OHIO, U.S.A. (440) 269-8155 FAX (440) 269-8166	
SCALE 1.000	SHEET 1 OF 1	DRAWN BY R. PALIN	
TITLE FAN SHROUD			
DATE 6.16.22	DRAWING NUMBER 700100_WEB		REV A

UNLESS OTHERWISE SPECIFIED,
 DIMENSIONS ARE IN INCHES (mm)
 AND ARE NOMINAL ONLY

PROPRIETARY AND CONFIDENTIAL:
 THE INFORMATION CONTAINED IN THIS
 DRAWING IS THE SOLE PROPERTY OF
 INTEGRA ENCLOSURES. ANY
 REPRODUCTION IN PART OR AS A
 WHOLE WITHOUT THE WRITTEN
 PERMISSION OF INTEGRA
 ENCLOSURES IS PROHIBITED.

4

3

2

1