

# 10X8X4 IMPACT® SERIES



## Features & Benefits

- **Quality material** – bases, opaque covers and clear covers are all made of high-impact, UV resistant polycarbonate.
- **Frequency friendly** – 100% metal free configurations available which is extremely favorable for sending and receiving wireless signals.
- **Easy installation** – with molded mounting flanges, so no extra hardware is needed.
- **Flexible interior mounting** – bosses on rear wall and lid of opaque enclosure provide multiple mounting options for DIN rail, back panels, or other components.
- **Standard color** – light gray with a gloss finish.
- **UL-50 / c-UL Listed** (file # E207562)

Mechanical & Thermal	Test Spec.	Unit	Rating
Instrumented Dart Impact @ 73° F	-	in-lbs	565
Falling Ball Impact @ 73° F	UL-746	in-lbs	900
Deflection Temperature @ 264 psi	ASTM D648	Deg. F	270
Modulus of Elasticity	ASTM D790	ksi	340
Temperature Range	-	Deg. F	-40 to 265
Flame Rating - UL	UL 94	-	5VA
Outdoor UV Exposure	UL	-	F1

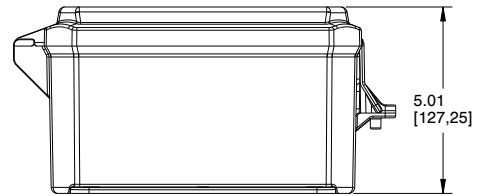
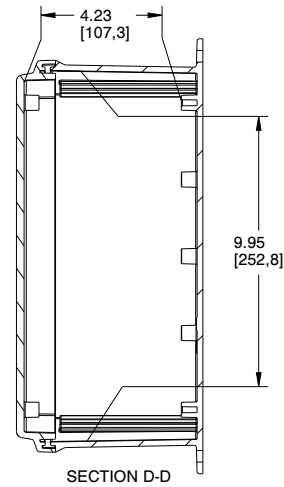
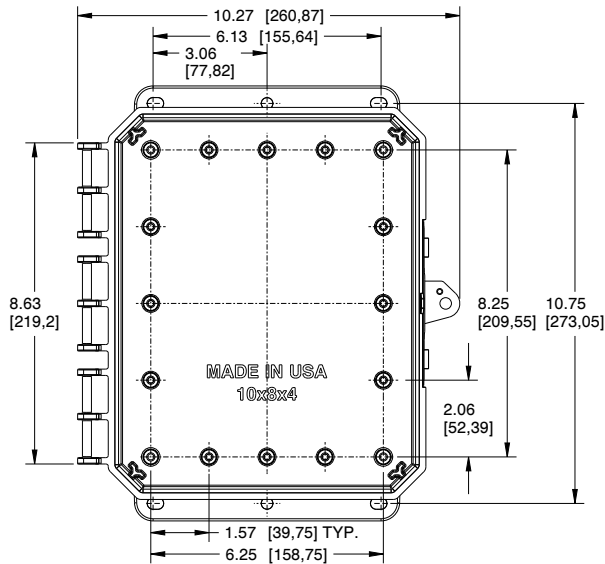
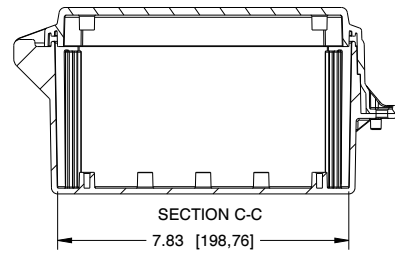
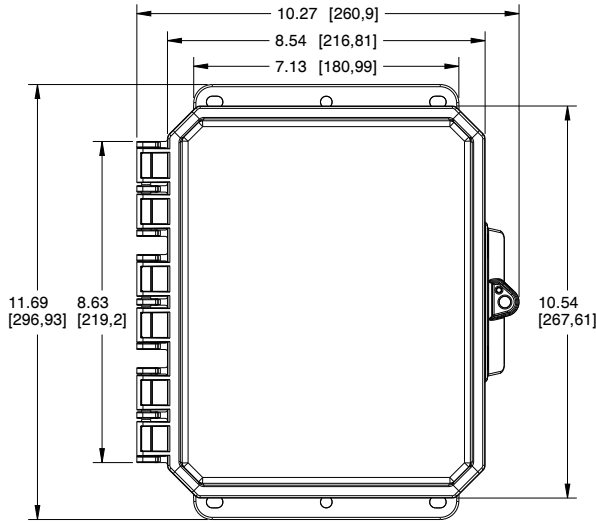


Part Number	4X IP66	6P IP68	Standard Hinge	Low Profile Hinge	Opaque Cover	Clear Cover	Integrated Mounting Flange	Integrated Locking Latch	Stainless Steel Locking Latch	Non-Metallic Locking Latch
★ P10084	✓	✓	✓		✓		✓	✓		
★ P10084C	✓	✓	✓			✓	✓	✓		
P10084LL	✓				✓		✓		✓	
P10084CLL	✓					✓	✓		✓	
P10084LP	✓	✓		✓	✓		✓	✓		
P10084LPC	✓	✓		✓		✓	✓	✓		
P10084LPLL	✓			✓	✓		✓		✓	
P10084LPCLL	✓			✓		✓	✓		✓	
P10084NL	✓		✓		✓		✓			✓
P10084CNL	✓		✓			✓	✓			✓
P10084LPNL	✓			✓	✓		✓			✓
P10084LPCNL	✓			✓		✓	✓			✓

★ **POPULAR CONFIGURATIONS:** Most popular configurations are available for *QuickShip*. Please send requests to [customerservice@integraenclosures.com](mailto:customerservice@integraenclosures.com) to take advantage of our *QuickShip* option.



# 10X8X4 IMPACT<sup>®</sup> SERIES



[Bracketed dimensions in mm]

## TORQUE SPECIFICATIONS:

**Panels** - #10 thread cutter pan head 18-8 SS (torque limit = 10 in lbs)

Register online to download detailed drawing files at [www.integraenclosures.com](http://www.integraenclosures.com)

## Accessories for 10x8x4 (For complete accessories, see pages 86-89)



**Back Panels**  
**ABP108-IMP** - Aluminum panel  
**SBP108-IMP** - Steel panel  
**PVCBP108-IMP** - PVC panel



**Aluminum Swing Panel Kits**  
**ABP-108-USOPK** - Complete kit  
**ABP-108USP** - Panel only  
**USOPK** - Hardware only



**Back Panel Adjustment Kit**  
**BPAKG** - Gray, Set Screw  
**BPAKB** - Black, Set Screw  
**UBPAKG** - Gray, Thumb Screw  
**UBPAKB** - Black Thumb Screw



**Air Vents**  
**VENT 3** - Aluminum louvered  
**VENT 2** - Outdoor labyrinth



**Steel Swing Panel Kits**  
**SBP-108-USOPK** - Complete kit  
**SBP-108USP** - Panel only  
**USOPK** - Hardware only



**Mounting Screws**  
**SP-10I** - 10 Pieces self-tapping screws for bosses



**Din Rail**  
**DIN 8-IMP** - 2 rails, 4 screws



**Pole Mounting Kit**  
**PMKG-28-IMP** - 2" pole  
**PMKG-38-IMP** - 3" pole  
**PMKG-48-IMP** - 4" pole  
**PMKG-128-IMP** - 12" pole



**Cord Grips**  
 IP68/NEMA 4X/6P rated  
 See page 78 for more details.