



Features & Benefits

- **Quality material** – bases, opaque covers and clear covers are all made of high-impact, UV resistant polycarbonate.
- **Frequency friendly** – 100% metal free configurations available which is extremely favorable for sending and receiving wireless signals.
- **Easy installation** – with molded mounting flanges, so no extra hardware is needed.
- **Flexible interior mounting** – bosses on rear wall and lid of opaque enclosure provide multiple mounting options for DIN rail, back panels, or other components.
- **Standard color** – light gray with a gloss finish.
- **UL-50 / c-UL Listed** (file # E207562)

Mechanical & Thermal	Test Spec.	Unit	Rating
Instrumented Dart Impact @ 73° F	-	in-lbs	565
Falling Ball Impact @ 73° F	UL-746	in-lbs	900
Deflection Temperature @ 264 psi	ASTM D648	Deg. F	270
Modulus of Elasticity	ASTM D790	ksi	340
Temperature Range	-	Deg. F	-40 to 265
Flame Rating - UL	UL 94	-	5VA
Outdoor UV Exposure	UL	-	F1

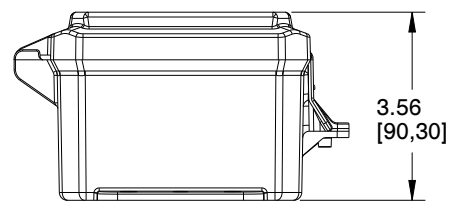
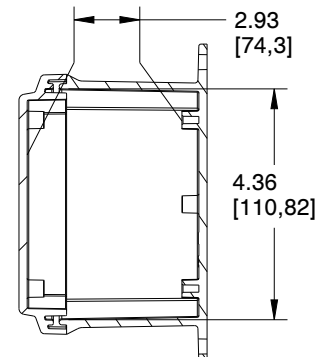
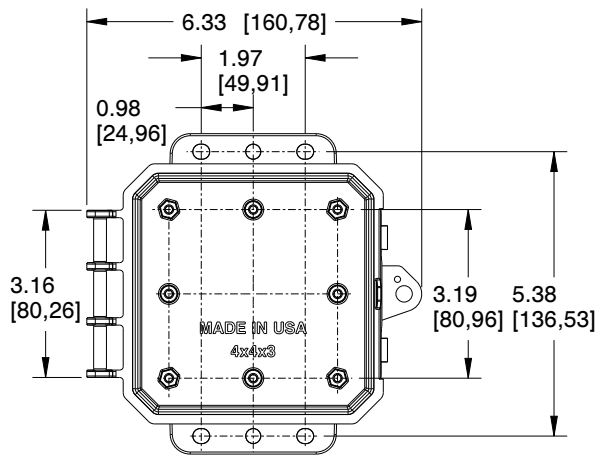
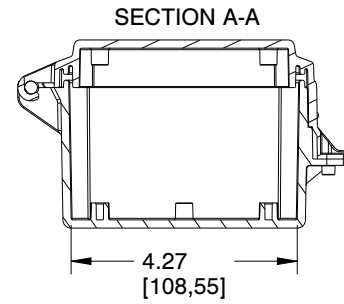
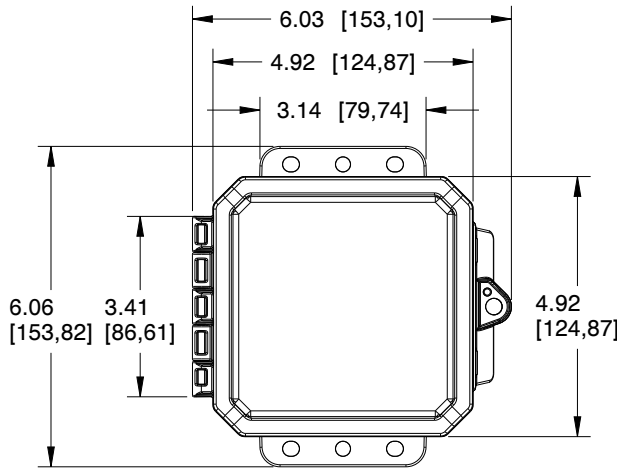


Part Number	4X IP66	6P IP68	Standard Hinge	Low Profile Hinge	Opaque Cover	Clear Cover	Integrated Mounting Flange	Integrated Locking Latch	Stainless Steel Locking Latch	Non-Metallic Locking Latch
★ P4043	✓	✓	✓		✓		✓	✓		
★ P4043C	✓	✓	✓			✓	✓	✓		
P4043LL	✓				✓		✓		✓	
P4043CLL	✓					✓	✓		✓	
P4043LP	✓	✓		✓	✓		✓	✓		
P4043LPC	✓	✓		✓		✓	✓	✓		
P4043LPLL	✓			✓	✓		✓		✓	
P4043LPCLL	✓			✓		✓	✓		✓	
P4043NL	✓		✓		✓		✓			✓
P4043CNL	✓		✓			✓	✓			✓
P4043LPNL	✓			✓	✓		✓			✓
P4043LPCNL	✓			✓		✓	✓			✓

★ **POPULAR CONFIGURATIONS:** Most popular configurations are available for *QuickShip*. Please send requests to customerservice@integraenclosures.com to take advantage of our *QuickShip* option.



4X4X3 IMPACT[®] LINE









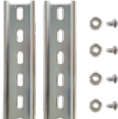


[Bracketed dimensions in mm]

TORQUE SPECIFICATIONS:

Panels - #8 thread cutter pan head 18-8 SS (torque limit = 8 in lbs)

Register online to download detailed drawing files at www.integraenclosures.com

Accessories for 4x4x3 (For complete accessories, see pages 86-89)

 <p>Back Panels ABP44-IMP - Aluminum panel SBP44-IMP - Steel panel PVCBP44-IMP - PVC panel</p>	 <p>Aluminum Face Plate System AFP44-IMP - Aluminum face plate and FPSK-44 mounting kit AFP44-IMP - Aluminum face panel only</p>	 <p>Face Plate Support Kit CB43-IMP - Support kit contains 4 support panels and 8 screws.</p>
 <p>Air Vents VENT 3 - Aluminum louvered VENT 2 - Outdoor labyrinth</p>	 <p>Steel Face Plate System SFP44-IMP - Steel face plate and FPSK-44 mounting kit SFP44-IMP - Steel face panel only</p>	 <p>Hole Plugs Liquid tight thru plugs IP67 and UL rated See page 78 for more details.</p>
 <p>Din Rail DIN 4-IMP - 2 rails, 4 screws</p>	 <p>Pole Mounting Kit PMKG-24-IMP - 2" pole PMKG-34-IMP - 3" pole PMKG-44-IMP - 4" pole PMKG-124-IMP - 12" pole</p>	 <p>Cord Grips IP68/NEMA 4X/6P rated See page 78 for more details.</p>