

5X5X3 IMPACT® SERIES



Features & Benefits

- **Quality material** – bases, opaque covers and clear covers are all made of high-impact, UV resistant polycarbonate.
- **Frequency friendly** – 100% metal free configurations available which is extremely favorable for sending and receiving wireless signals.
- **Easy installation** – with molded mounting flanges, so no extra hardware is needed.
- **Flexible interior mounting** – bosses on rear wall and lid of opaque enclosure provide multiple mounting options for DIN rail, back panels, or other components.
- **Standard color** – light gray with a gloss finish.
- **UL-50 / c-UL Listed** (file # E207562)

Mechanical & Thermal	Test Spec.	Unit	Rating
Instrumented Dart Impact @ 73° F	-	in-lbs	565
Falling Ball Impact @ 73° F	UL-746	in-lbs	900
Deflection Temperature @ 264 psi	ASTM D648	Deg. F	270
Modulus of Elasticity	ASTM D790	ksi	340
Temperature Range	-	Deg. F	-40 to 265
Flame Rating - UL	UL 94	-	5VA
Outdoor UV Exposure	UL	-	F1

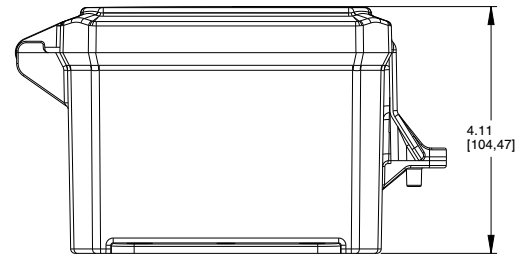
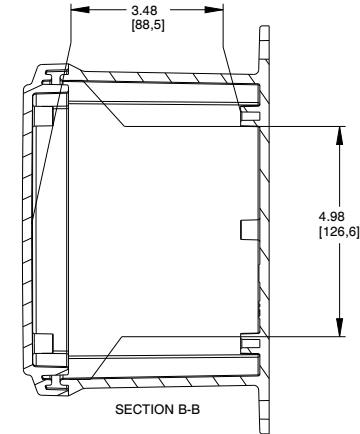
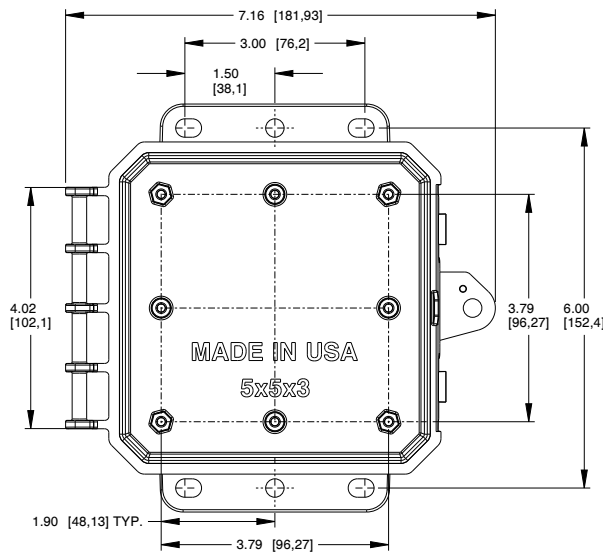
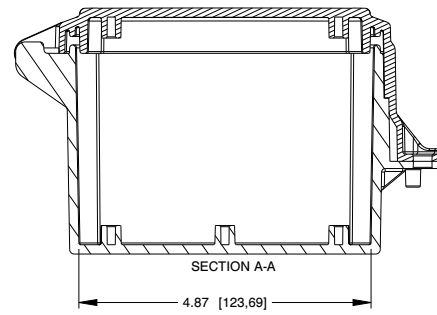
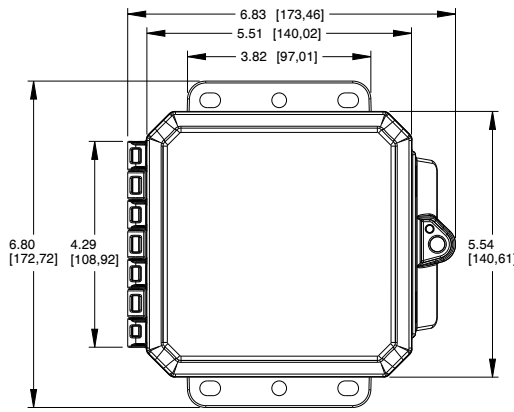


Part Number	4X IP66	6P IP68	Standard Hinge	Low Profile Hinge	Opaque Cover	Clear Cover	Integrated Mounting Flange	Integrated Locking Latch	Stainless Steel Locking Latch	Non-Metallic Locking Latch
★ P5053	✓	✓	✓		✓		✓	✓		
★ P5053C	✓	✓	✓			✓	✓	✓		
P5053LL	✓				✓		✓		✓	
P5053CLL	✓					✓	✓		✓	
P5053LP	✓	✓		✓	✓		✓	✓		
P5053LPC	✓	✓		✓		✓	✓	✓		
P5053LPLL	✓			✓	✓		✓		✓	
P5053LPCLL	✓			✓		✓	✓		✓	
P5053NL	✓		✓		✓		✓			✓
P5053CNL	✓		✓			✓	✓			✓
P5053LPNL	✓			✓	✓		✓			✓
P5053LPCNL	✓			✓		✓	✓			✓

★ **POPULAR CONFIGURATIONS:** Most popular configurations are available for *QuickShip*. Please send requests to customerservice@integraenclosures.com to take advantage of our *QuickShip* option.



5X5X3 IMPACT® SERIES



[Bracketed dimensions in mm]

TORQUE SPECIFICATIONS:

Panels - #8 thread cutter pan head 18-8 SS (torque limit = 8 in lbs)

Register online to download detailed drawing files at www.integraenclosures.com

Accessories for 5x5x3 (For complete accessories, see pages 86-89)



Back Panels

ABP55-IMP - Aluminum panel
SBP55-IMP - Steel panel
PVCBP55-IMP - PVC panel



Aluminum Face Plate System

AFP55-IMP - Aluminum face plate and FPSK-55 mounting kit
AFP55-IMP - Aluminum face panel only



Face Plate Support Kit

CB53-IMP - Support kit contains 4 support panels and 8 screws.



Air Vents

VENT 3 - Aluminum louvered
VENT 2 - Outdoor labyrinth



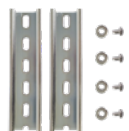
Steel Face Plate System

SFP55-IMP - Steel face plate and FPSK-55 mounting kit
SFP55-IMP - Steel face panel only



Hole Plugs

Liquid tight thru plugs
 IP67 and UL rated
 See page 78 for more details.



Din Rail

DIN 5-IMP - 2 rails, 4 screws



Pole Mounting Kit

PMKG-25-IMP - 2" pole
PMKG-35-IMP - 3" pole
PMKG-45-IMP - 4" pole
PMKG-125-IMP - 12" pole



Cord Grips

IP68/NEMA 4X/6P rated
 See page 78 for more details.