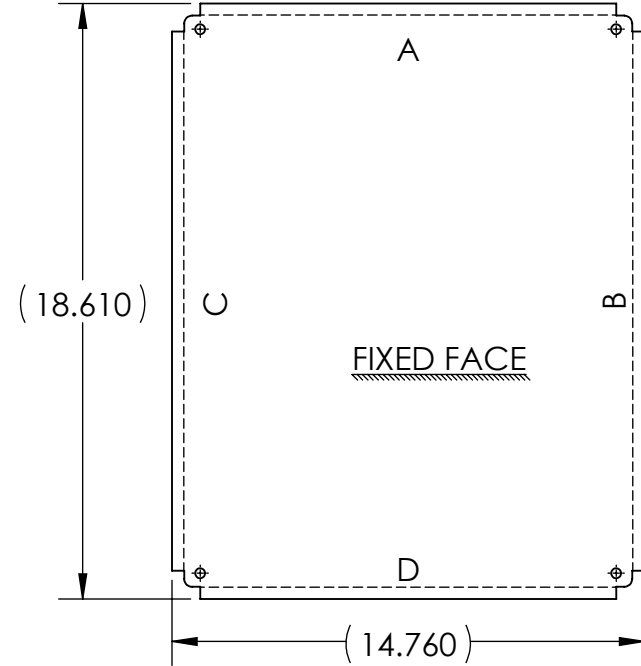
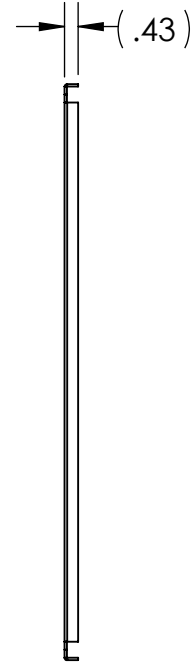
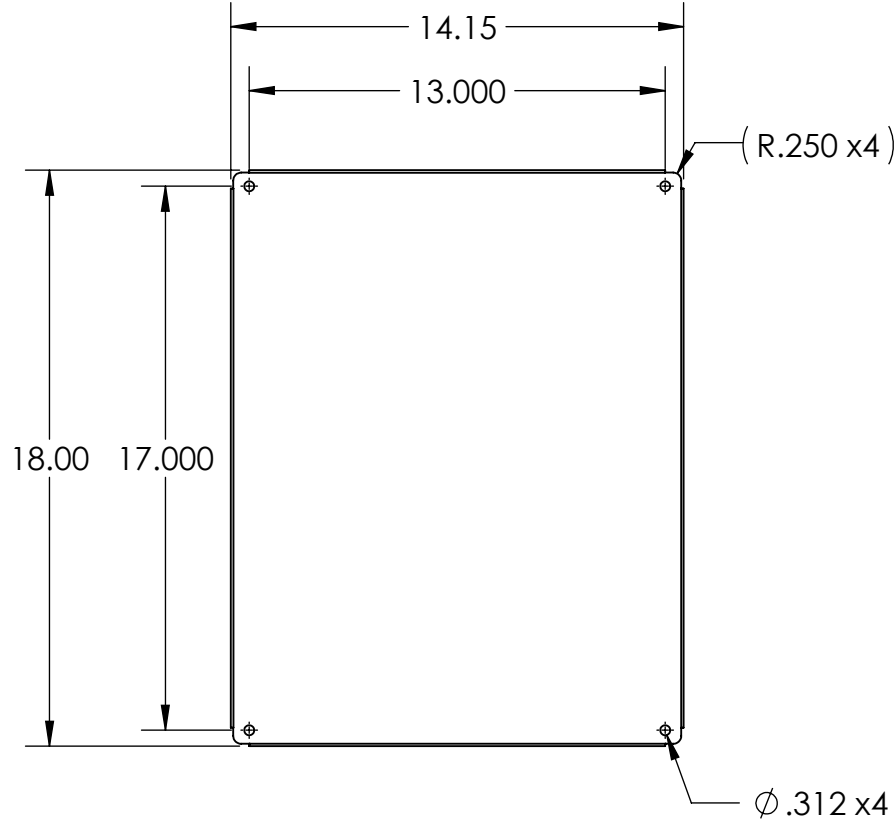


2

1

Tag	Direction
A	DOWN
B	DOWN
C	DOWN
D	DOWN



PANEL MATERIAL: 14 GA. (.075") GALVANNEAL

INTEGRA ENCLOSURES

INTEGRA ENCLOSURES A DIVISION OF MUM INDUSTRIES
8989 TYLER BLVD. MENTOR, OH
(440)269-8155 FAX (440)269-8166

UNLESS OTHERWISE SPECIFIED: DIMENSIONS ARE IN INCHES [MM] AND ARE NOMINAL ONLY		DWG. NO. PNLB2016GVN	
PROPRIETARY AND CONFIDENTIAL THE INFORMATION CONTAINED IN THIS DRAWING IS THE SOLE PROPERTY OF MUM INDUSTRIES INC. ANY REPRODUCTION IN PART OR AS A WHOLE WITHOUT THE WRITTEN PERMISSION OF MUM INDUSTRIES INC. IS PROHIBITED.		SIZE A	DESCRIPTION: PANEL-BACK-20X16- GALV STEEL
REV C	SCALE: 1:6	WEIGHT:	SHEET 1 OF 1

2

1

B

B

A

A