

4

3

2

1

D

D

C

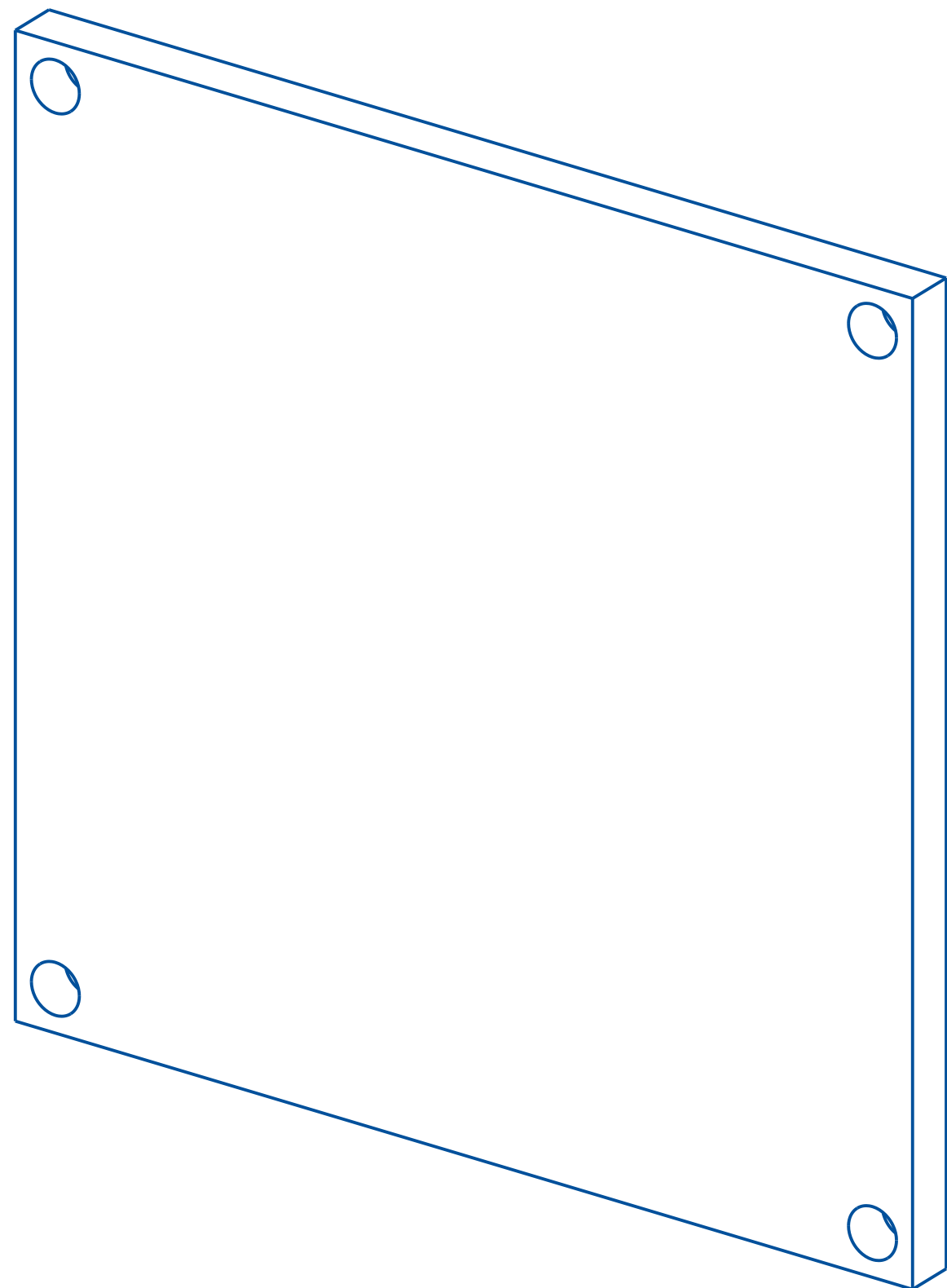
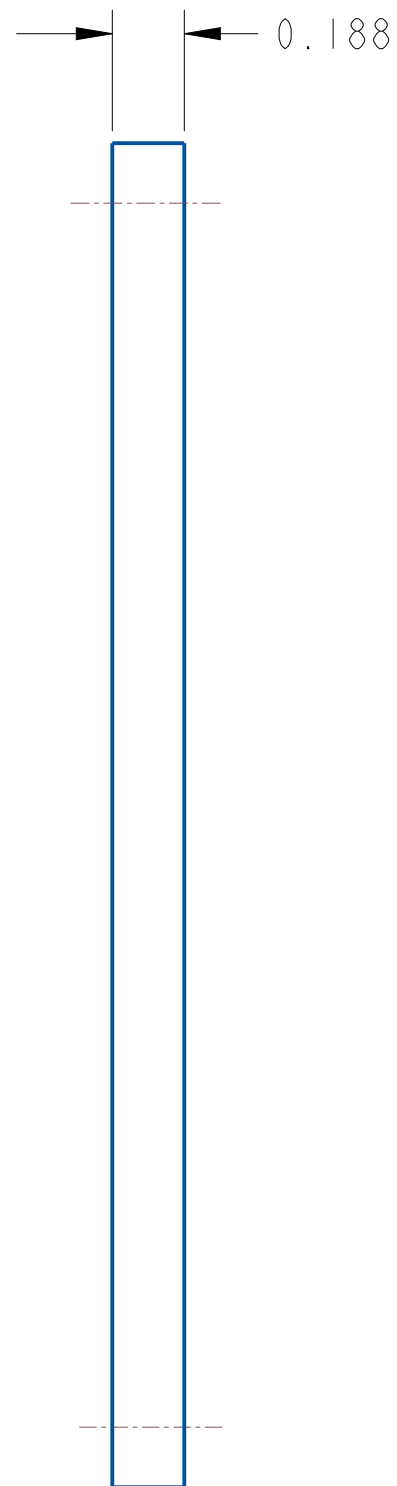
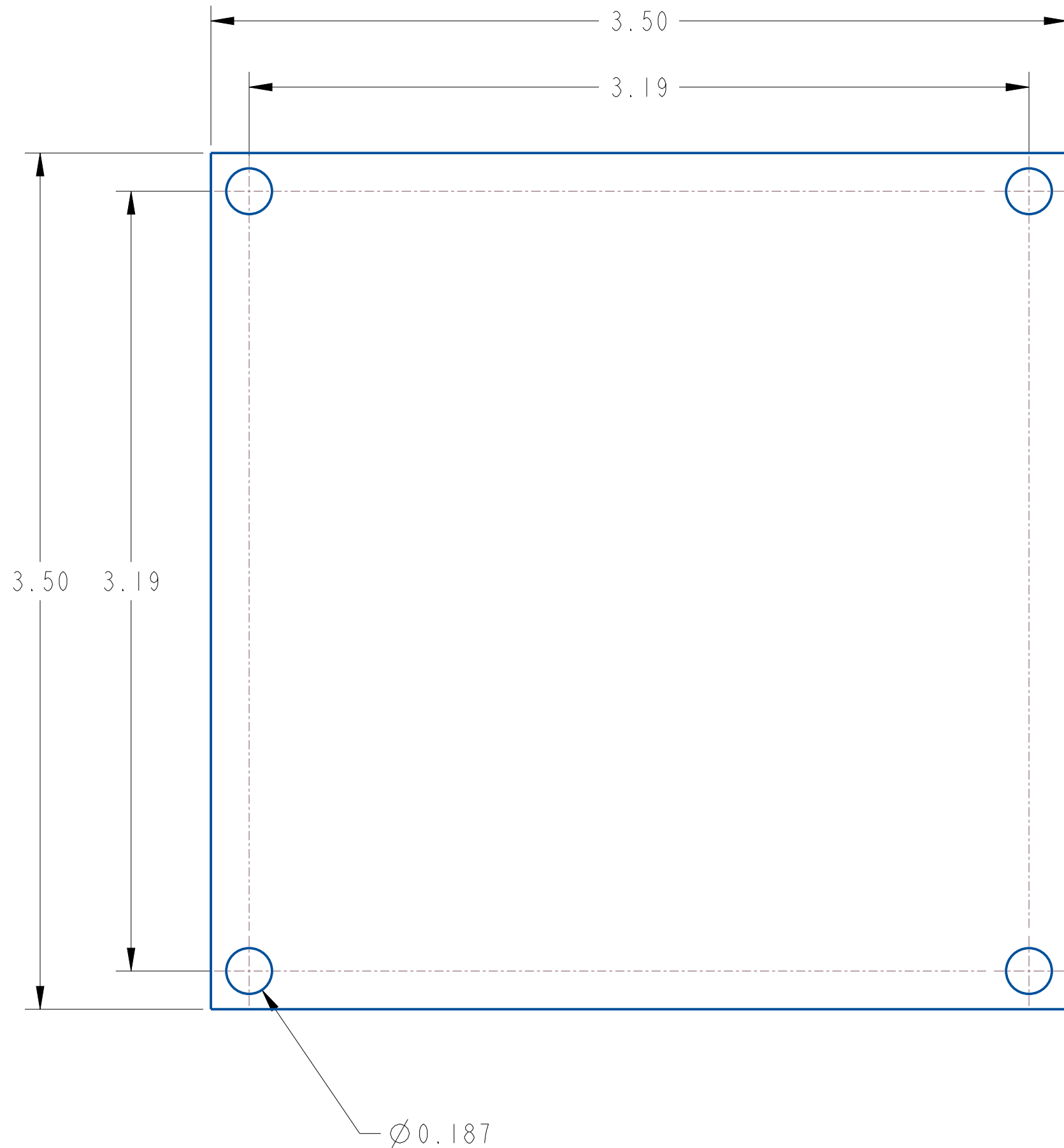
C

B

B

A

A



- NOTES:**
 1. MATERIAL: GRAY PVC
 2. FINISH: SMOOTH
 3. DRAWING NUMBER MAY NOT MATCH KIT PART NUMBER

<small>UNLESS OTHERWISE SPECIFIED, DIMENSIONS ARE IN INCHES (mm) AND ARE NOMINAL ONLY.</small>				<small>MUM INDUSTRIES 8989 TYLER BLVD MENTOR, OHIO, U.S.A. (440) 269-8155 FAX (440) 269-8166</small>	
		SCALE 2.000	SHEET 1 of 1	DRAWN BY W.TIDWELL	
TITLE 4X4 BACK PANEL, PVC, IMPACT					
DATE 08.30.16		DRAWING NUMBER PNL44PVC-104			REV A

4

3

2

1