

8X8X4 PREMIUM SERIES



Mounting Feet



Mounting Flanges



Features & Benefits

- **Quality material** – bases, opaque covers and clear covers are all made of high-impact, UV resistant polycarbonate.
- **Flexible interior mounting** – features the unique and patented Integra adjustable depth “T-Rail” back panel mounting system (back panel and adjustable brackets sold separately).
- **Wide range** of sizes, configurations and accessories provides capabilities for every application.
- **Brass inserts** – in corner bosses for easy component installation.
- **Standard color** – light gray with a gloss finish.
- **UL-50 / c-UL Listed** (files # E229365, # E207562)

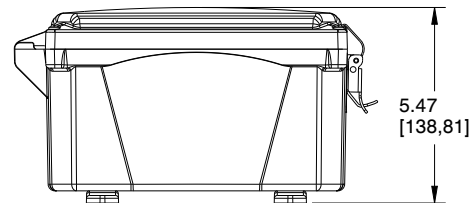
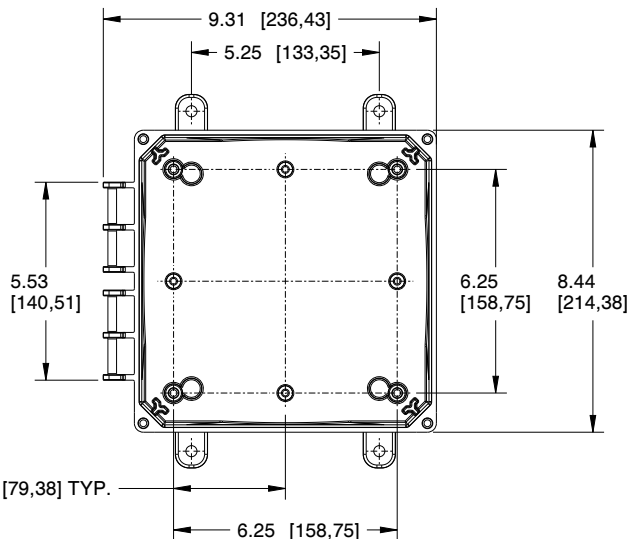
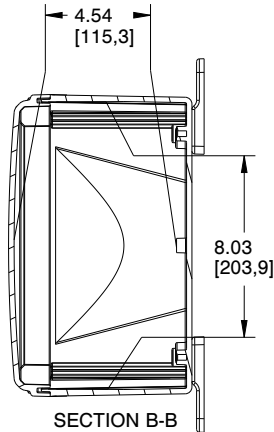
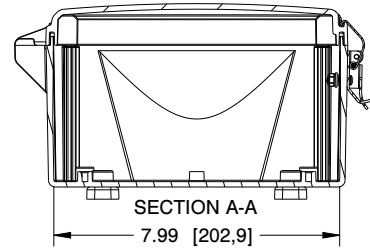
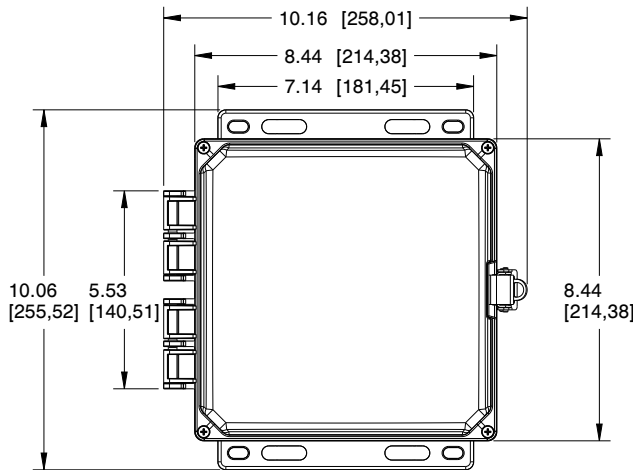
Mechanical & Thermal	Test Spec.	Unit	Rating
Instrumented Dart Impact @ 73° F	-	in-lbs	565
Falling Ball Impact @ 73° F	UL-746	in-lbs	900
Deflection Temperature @ 264 psi	ASTM D648	Deg. F	270
Modulus of Elasticity	ASTM D790	ksi	340
Temperature Range	-	Deg. F	-40 to 265
Flame Rating - UL	UL 94	-	5VA
Outdoor UV Exposure	UL	-	F1

Part Number	4X IP66	6P IP68	Hinged Cover	Screw Cover	Opaque Cover	Clear Cover	Mounting Feet	Mounting Flange	Stainless Steel Locking Latch	Non-Metallic Locking Latch
H8084S	✓	✓		✓	✓		✓			
H8084SC	✓	✓		✓		✓	✓			
H8084SF	✓	✓		✓	✓			✓		
H8084SCF	✓	✓		✓		✓		✓		
H8084H	✓		✓	✓	✓		✓			
H8084HC	✓		✓	✓		✓	✓			
H8084HF	✓		✓	✓	✓			✓		
H8084HCF	✓		✓	✓		✓		✓		
★ H8084HLL	✓		✓		✓		✓		✓	
★ H8084HCLL	✓		✓			✓	✓		✓	
H8084HFLL	✓		✓		✓			✓	✓	
H8084HCFLL	✓		✓			✓		✓	✓	
H8084HNL	✓		✓		✓		✓			✓
H8084HCNL	✓		✓			✓	✓			✓
H8084HFNL	✓		✓		✓			✓		✓
H8084HCFNL	✓		✓			✓		✓		✓
H8084H-6P	✓	✓	✓	✓	✓		✓			
H8084HC-6P	✓	✓	✓	✓		✓	✓			
H8084HF-6P	✓	✓	✓	✓	✓			✓		
H8084HCF-6P	✓	✓	✓	✓		✓		✓		

★ **POPULAR CONFIGURATIONS:** Most popular configurations are available for *QuickShip*. Please send requests to customerservice@integraenclosures.com to take advantage of our *QuickShip* option.



8X8X4 PREMIUM SERIES



TORQUE SPECIFICATIONS:

Mounting Feet - 1/4"-20 x 0.5" SS countersunk Phillips drive screws (torque limit = 32 in lbs)

Covers/Doors - #10-32 x 0.75" SS pan Phillips drive screws (torque limit = 10 in lbs)

Panels - #10-32 x 0.375" pan Phillips drive screws (torque limit = 10-15 in lbs)

[Bracketed dimensions in mm]

Register online to download detailed drawing files at www.integraenclosures.com

Accessories for 8x8x4 (For complete accessories, see pages 81-85)



Back Panels

- ABP88 - Aluminum panel
- SBP88 - Steel panel
- PVCBP88 - PVC panel



Aluminum Swing Panel Kits

- ABP-88-USOPK - Complete kit
- ABP-88USP - Panel only
- USOPK - Hardware only



Back Panel Adjustment Kit

- BPAKG - Gray, Set Screw
- BPABK - Black, Set Screw
- UBPAKG - Gray, Thumb Screw
- UBPAKB - Black Thumb Screw



Air Vents

- VENT 3 - Aluminum louvered
- VENT 2 - Outdoor labyrinth



Steel Swing Panel Kits

- SBP-88-USOPK - Complete kit
- SBP-88USP - Panel only
- USOPK - Hardware only



Cord Grips

- IP68/NEMA 4X/6P rated
- See page 78 for more details and part numbers.



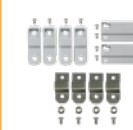
Din Rail

- DIN 8 - 2 rails, 4 screws



Pole Mounting Kit

- PMKG-26 - 2" pole
- PMKG-36 - 3" pole
- PMKG-46 - 4" pole
- PMKG-126 - 12" pole



Mounting Feet & Flange Kits

- MFKG - Premium line feet
- MFKSS - Stainless steel feet
- MFLK6 - 6" Flange kit