

4

3

2

1

D

D

C

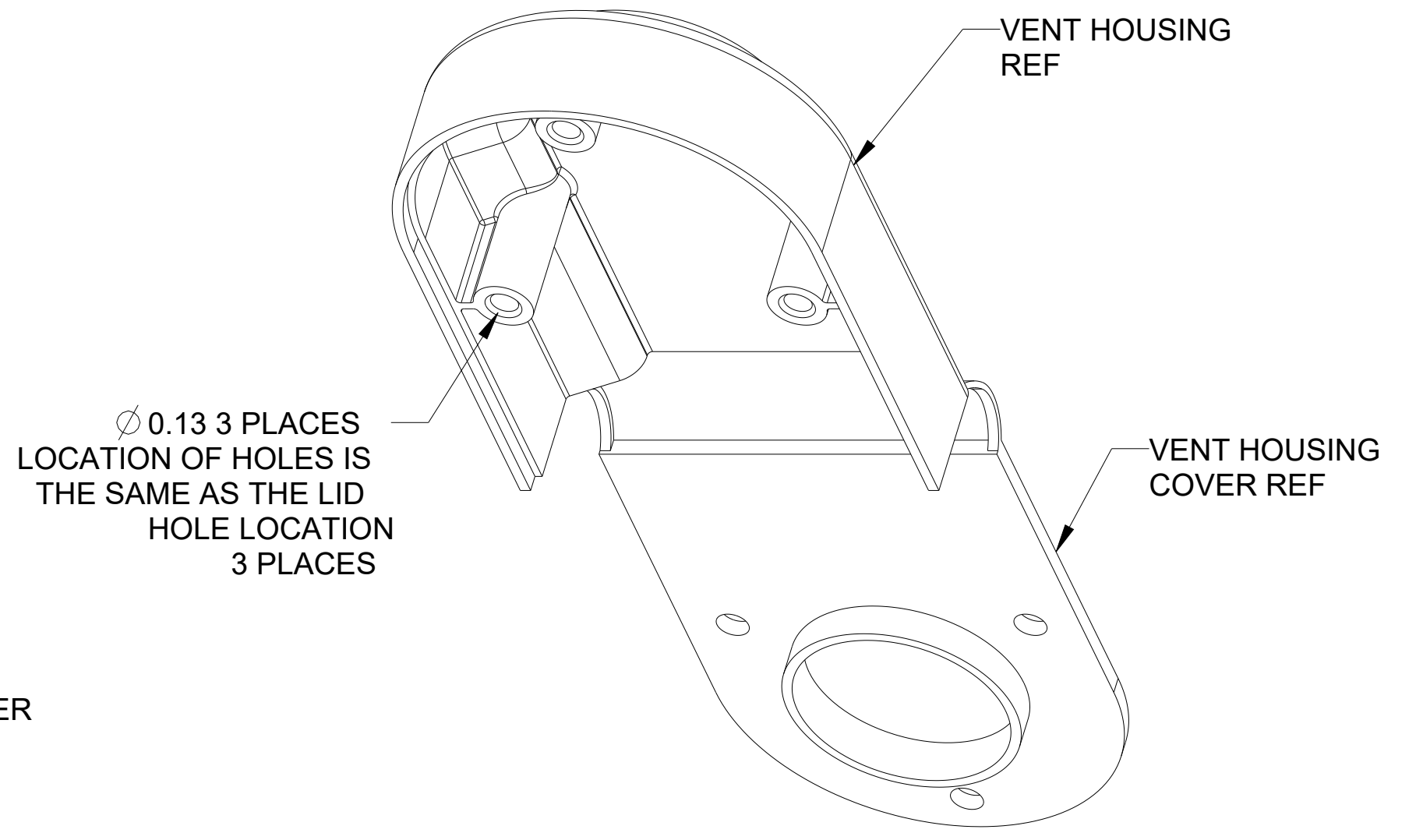
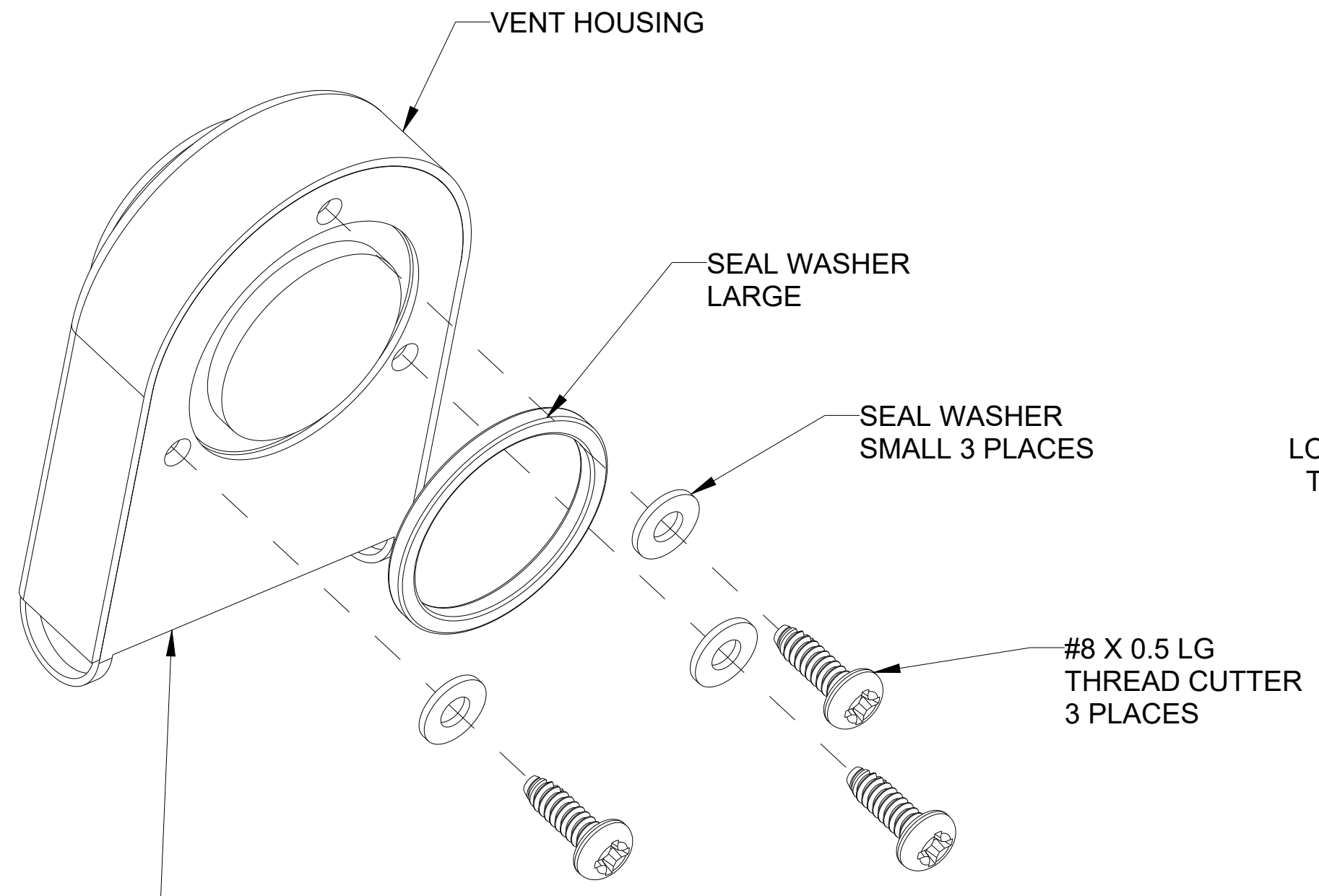
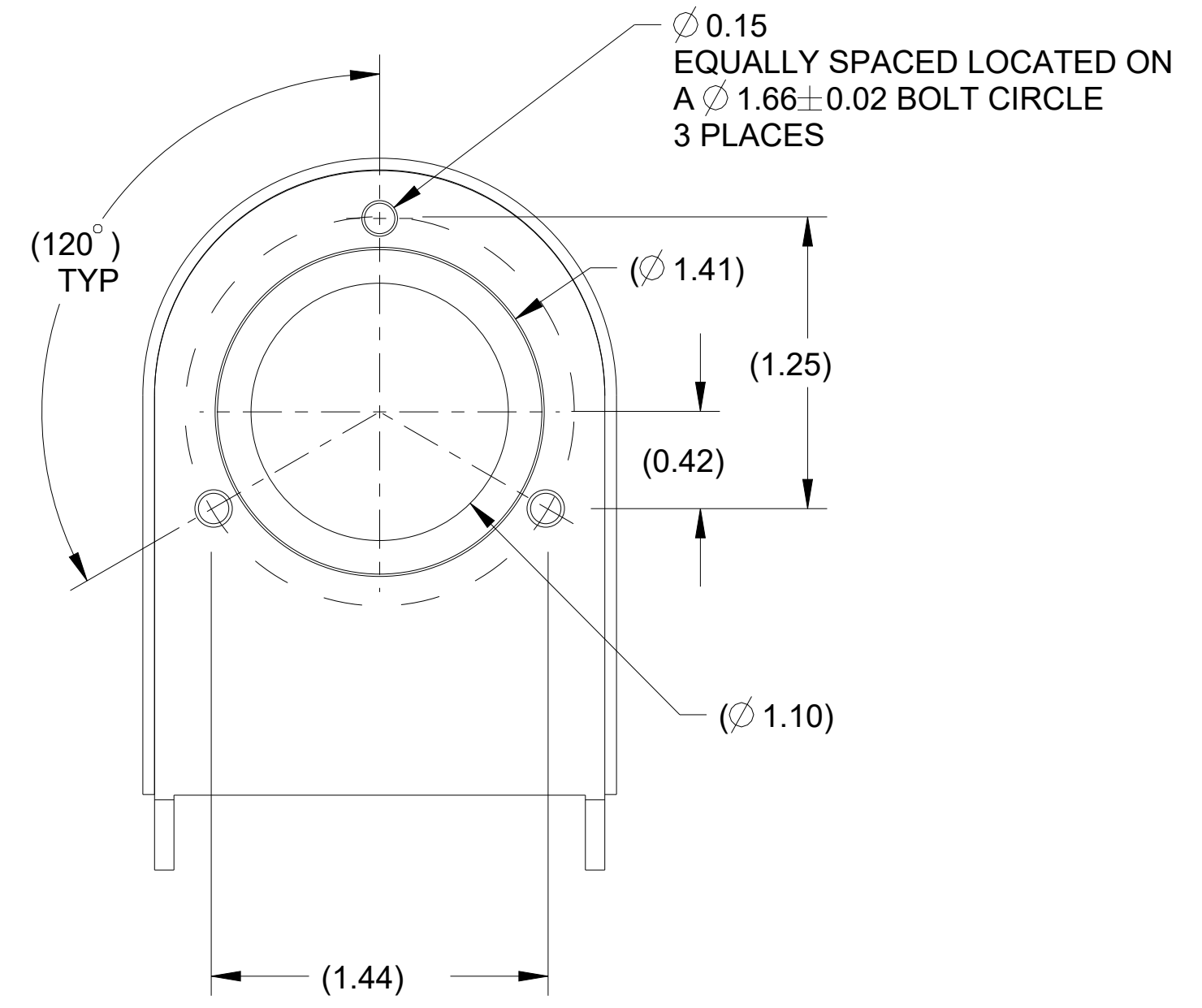
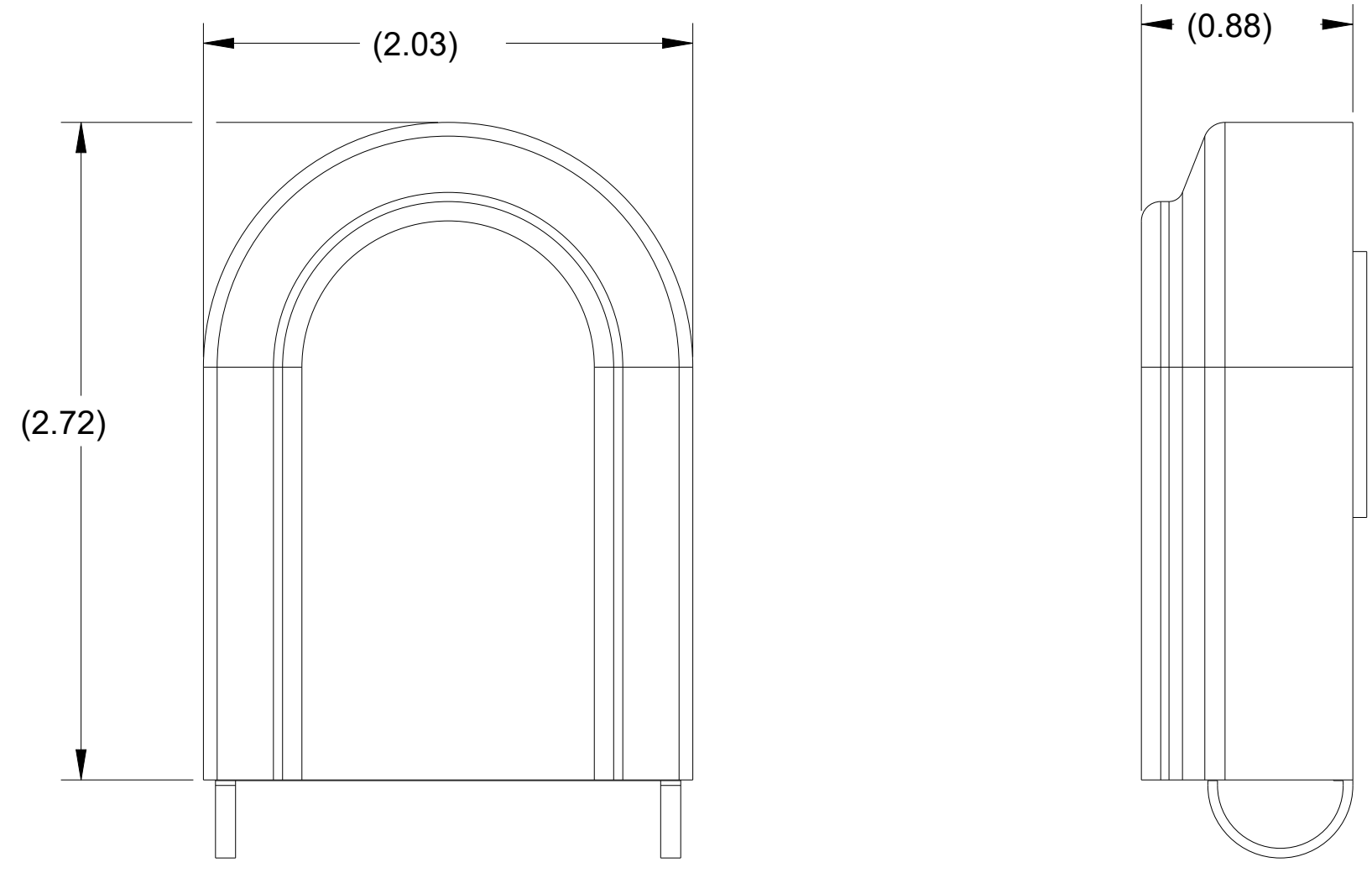
C

B

B

A

A



NOTES:  
 1. MATERIAL FOR VENT: POLYPROPYLENE  
 2. COLOR FOR VENT: INTEGRA-GRAY-LAB

B

DEFAULT TOLERANCES						MUM INDUSTRIES 7750 TYLER BLVD MENTOR, OHIO, U.S.A. (440) 269-8155 FAX (440) 269-8166	
DECIMAL	.XX ± 0.03	.XXX ± 0.010		SCALE	1.500	SHEET	1 of 1
FRACTIONAL	± 1/16			TITLE	VENT-2 ASSEMBLY		
ANGULAR	± 5°			DATE	02.23.15	DRAWING NUMBER	VENT-2
REV	DESCRIPTION	BY	DATE	ECN NO.			REV B
B	REVISED NOTE 2 "INTEGRA-GRAY-LAB" WAS "PANTONE 422 C"	TLS	10.12.17	2017-091			
A	RELEASED TO PRODUCTION AT REV A	W.T.	02-27-2015				

4

3

2

1