

4

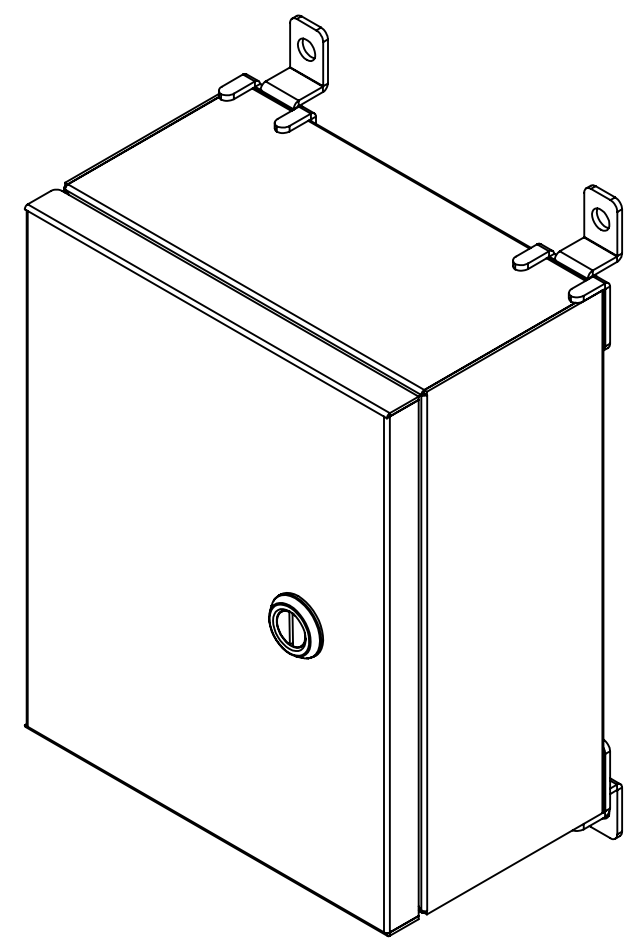
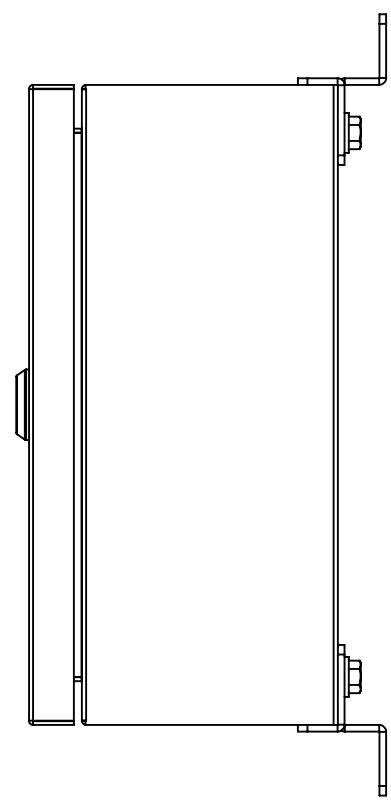
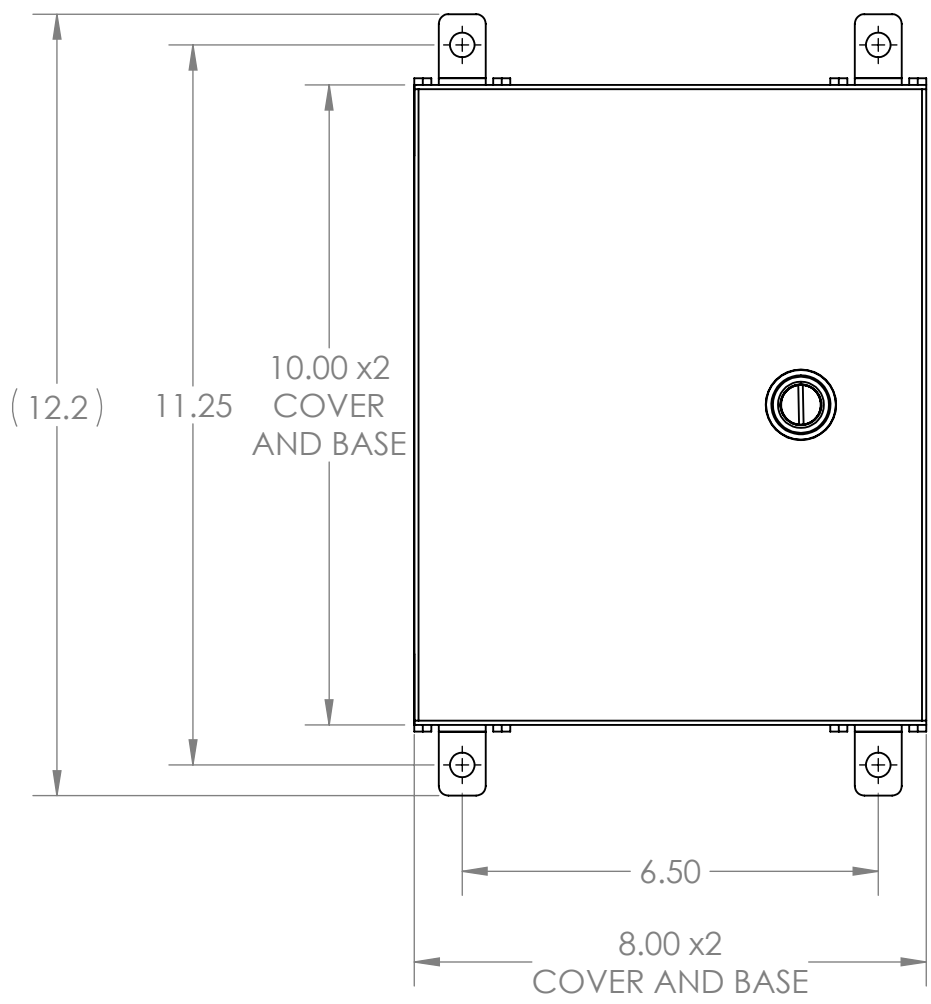
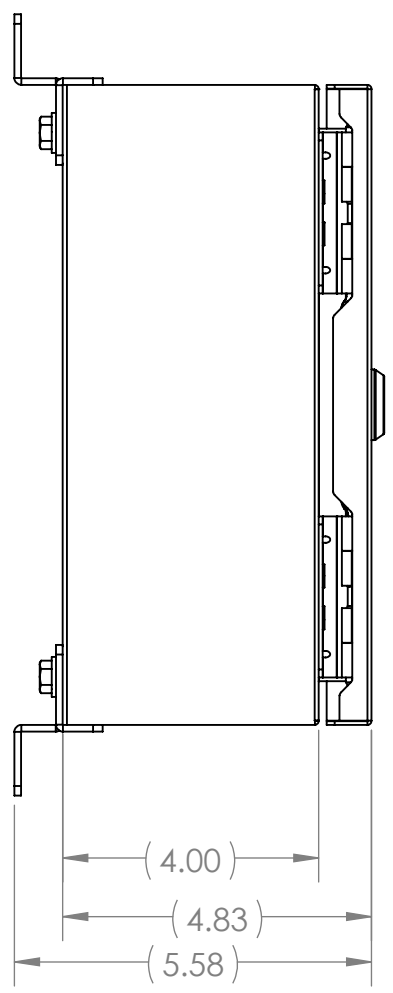
3

2

1

B

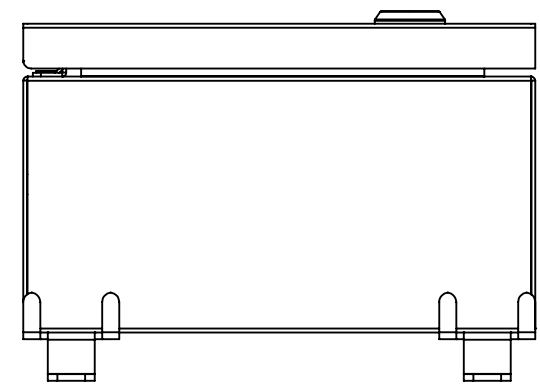
B



- NOTE:  
 1. BASE MATERIAL: 16 Ga. (.060") 304 SS  
 2. COVER MATERIAL: 16 Ga. (.060") 304 SS

A

A



4

3

2

1

UNLESS OTHERWISE SPECIFIED:  
 DIMENSIONS ARE IN INCHES [MM]  
 AND ARE NOMINAL ONLY

**PROPRIETARY AND CONFIDENTIAL**  
 THE INFORMATION CONTAINED IN THIS  
 DRAWING IS THE SOLE PROPERTY OF  
 MUM INDUSTRIES INC. ANY  
 REPRODUCTION IN PART OR AS A WHOLE  
 WITHOUT THE WRITTEN PERMISSION OF  
 MUM INDUSTRIES INC. IS PROHIBITED.

DRAWN BY: DLA 06.25.2021

**INTEGRA ENCLOSURES**  
 A DIVISION OF MUM INDUSTRIES  
 8989 TYLER BLVD. MENTOR, OH  
 ENCLOSURES (440)269-8155 FAX (440)269-8166

DWG. NO.		
W100804-4PQ-BT		
SIZE	DESCRIPTION:	REV
<b>B</b>	WALL-10X08X04-304-PHN-QTL	<b>C</b>
SCALE: 1:3	WEIGHT:	SHEET 1 OF 2

4

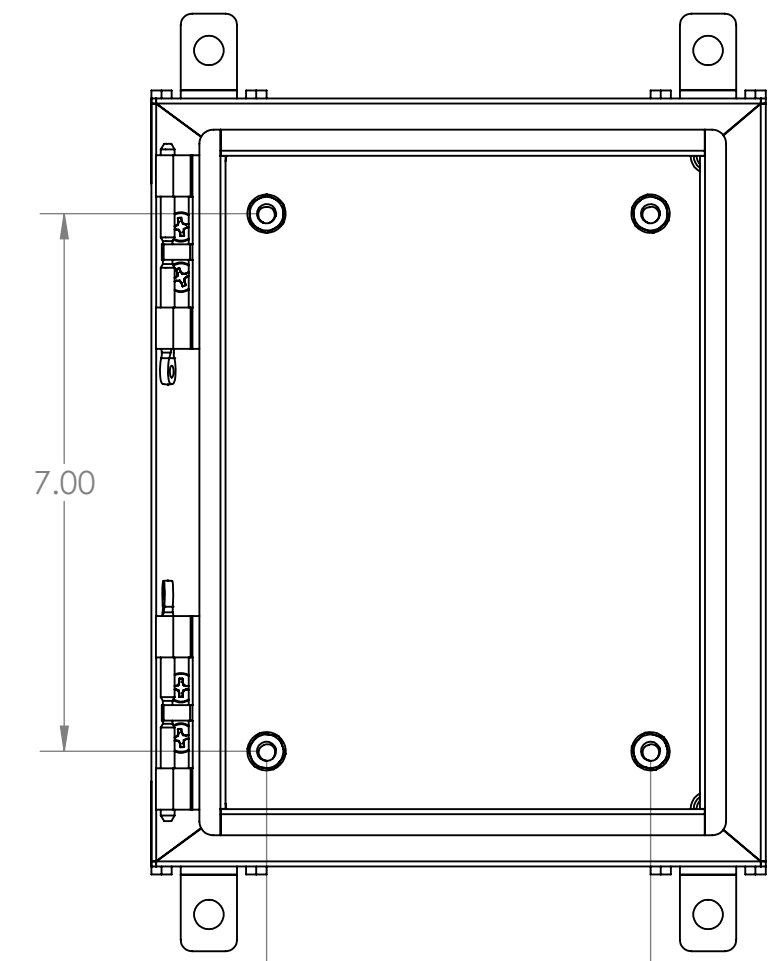
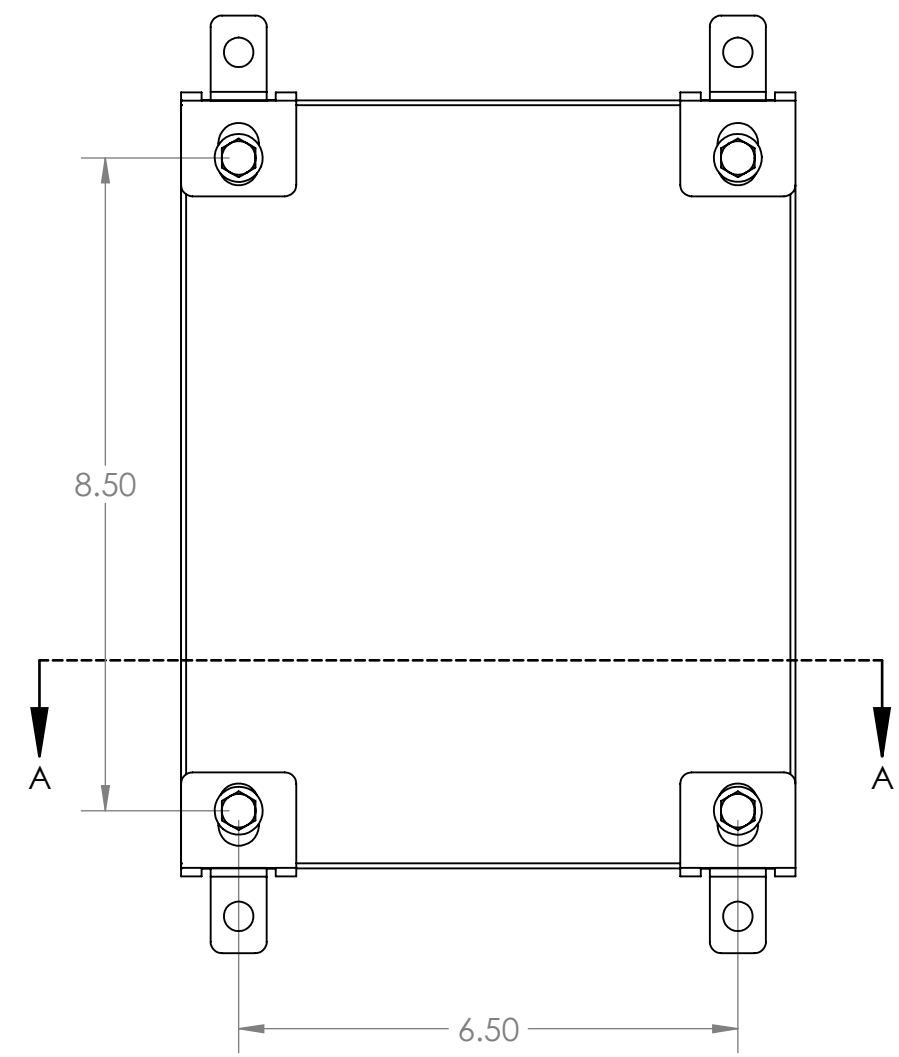
3

2

1

B

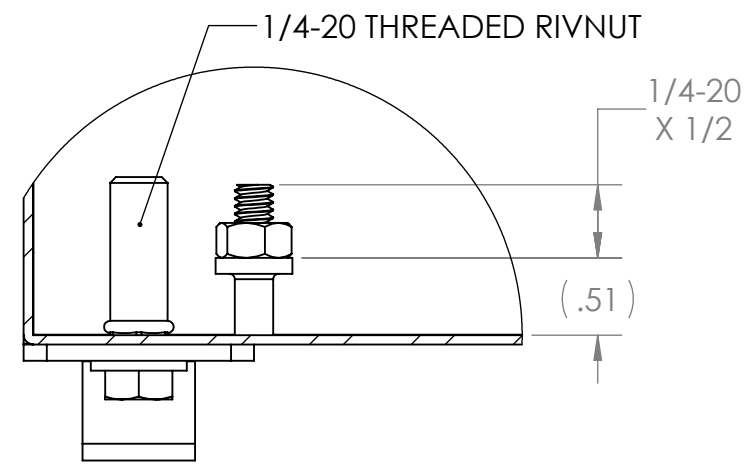
B



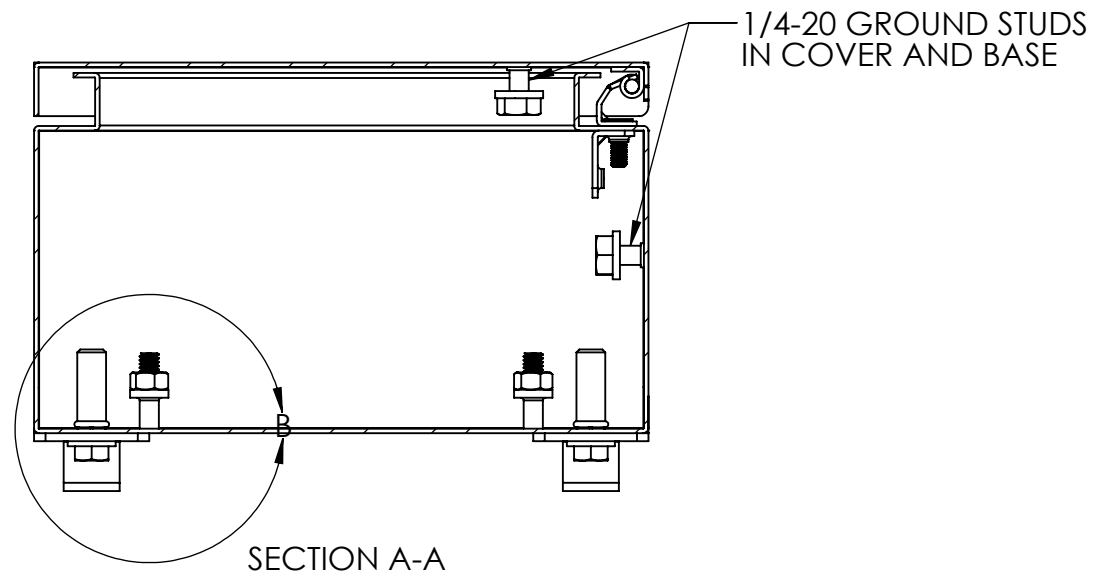
COVER NOT SHOWN FOR CLARITY

A

A



DETAIL B x 4  
SCALE 4 : 5



1/4-20 GROUND STUDS IN COVER AND BASE

SECTION A-A

### INTEGRA ENCLOSURES

**INTEGRA** ENCLOSURES A DIVISION OF MUM INDUSTRIES  
8989 TYLER BLVD. MENTOR, OH (440)269-8155 FAX (440)269-8166

UNLESS OTHERWISE SPECIFIED:  
DIMENSIONS ARE IN INCHES [MM]  
AND ARE NOMINAL ONLY

DWG. NO.  
**W100804-4PQ-BT**

**PROPRIETARY AND CONFIDENTIAL**  
THE INFORMATION CONTAINED IN THIS  
DRAWING IS THE SOLE PROPERTY OF  
MUM INDUSTRIES INC. ANY  
REPRODUCTION IN PART OR AS A WHOLE  
WITHOUT THE WRITTEN PERMISSION OF  
MUM INDUSTRIES INC. IS PROHIBITED.

SIZE	DESCRIPTION:	REV
<b>B</b>	WALL-10X08X04-304-PHN-QTL	<b>C</b>

DRAWN BY: DLA 06.25.2021

SCALE: 2:5 WEIGHT: SHEET 2 OF 2

4

3

2

1