

4

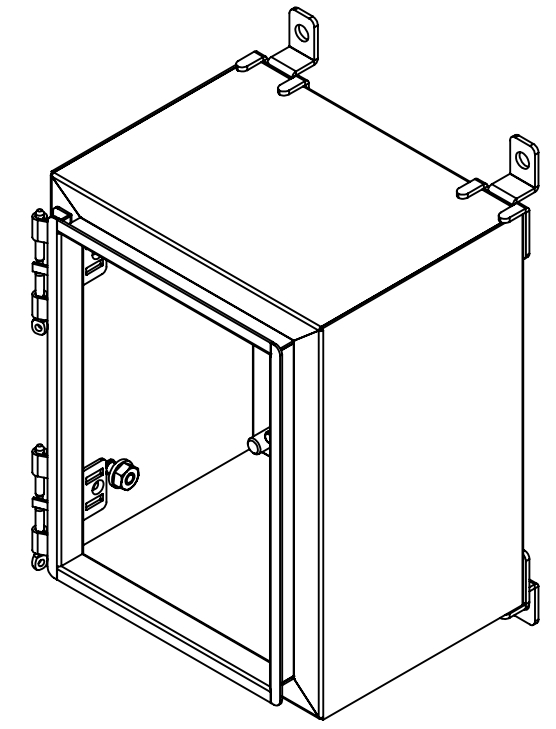
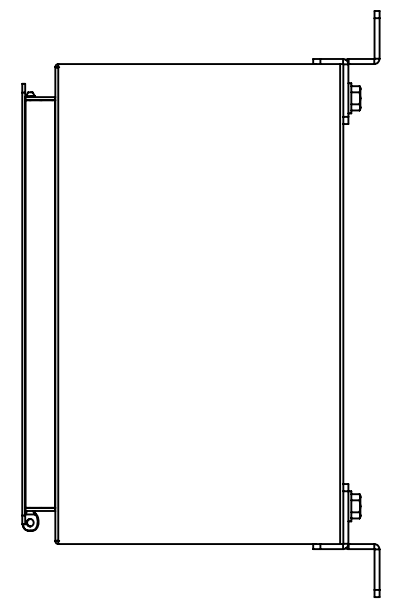
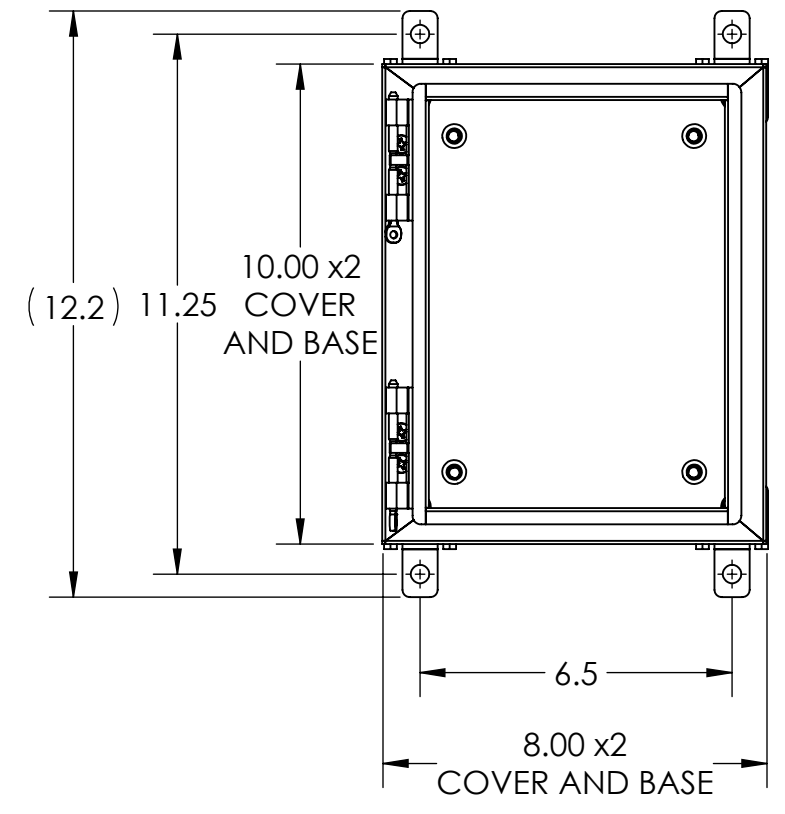
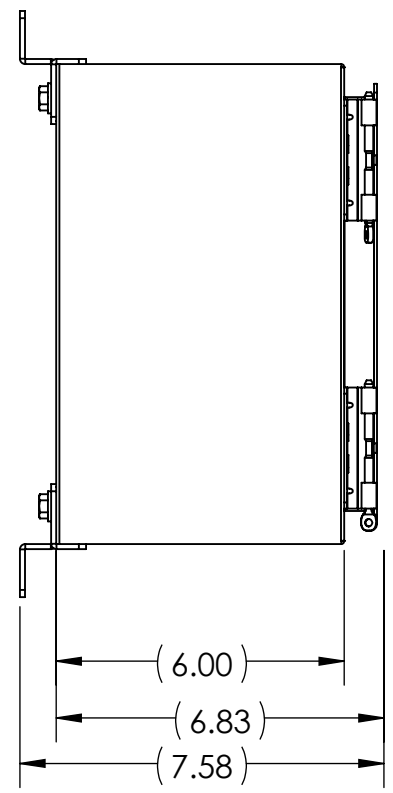
3

2

1

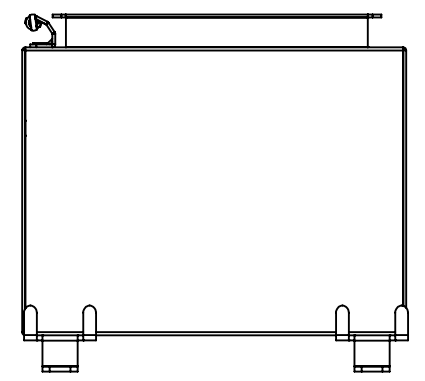
B

B



A

A



NOTE:

- 1. BASE MATERIAL: 16 Ga. (.060") 304 SS
- 2. COVER MATERIAL: 16 Ga. (.060") 304 SS

INTEGRA ENCLOSURES

INTEGRA A DIVISION OF MUM INDUSTRIES
ENCLOSURES 8989 TYLER BLVD. MENTOR, OH
(440)269-8155 FAX (440)269-8166

UNLESS OTHERWISE SPECIFIED: DIMENSIONS ARE IN INCHES [MM] AND ARE NOMINAL ONLY		DWG. NO. W100806-4PQ-BT		
PROPRIETARY AND CONFIDENTIAL THE INFORMATION CONTAINED IN THIS DRAWING IS THE SOLE PROPERTY OF MUM INDUSTRIES INC. ANY REPRODUCTION IN PART OR AS A WHOLE WITHOUT THE WRITTEN PERMISSION OF MUM INDUSTRIES INC. IS PROHIBITED.		SIZE B	DESCRIPTION: WALL-10X08X06-304- PHN-QTL	REV D
DRAWN BY: JMS	06.25.2021	SCALE: 1:4	WEIGHT:	SHEET 1 OF 2

4

3

2

1

4

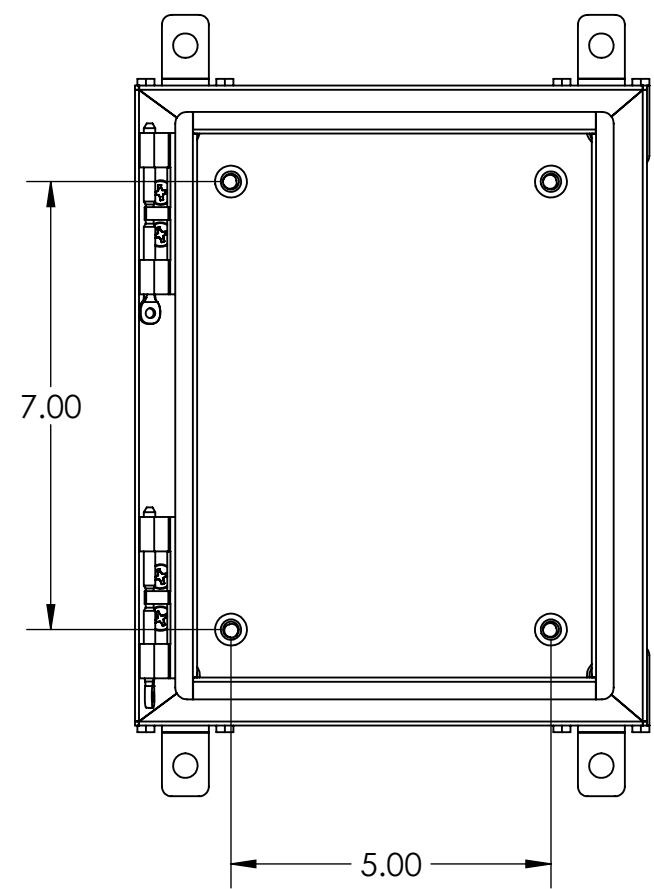
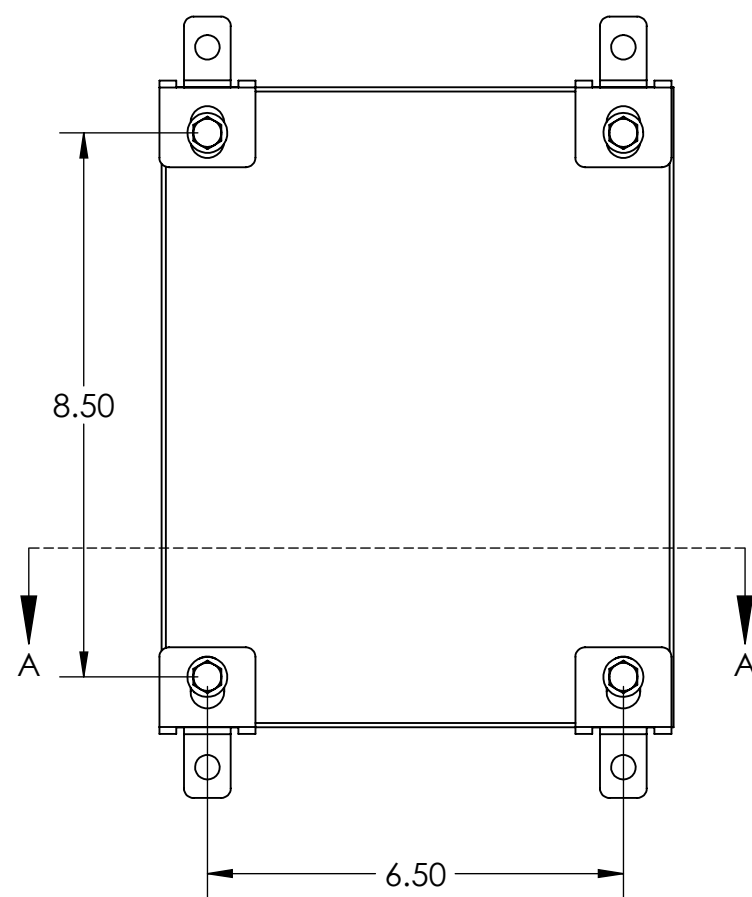
3

2

1

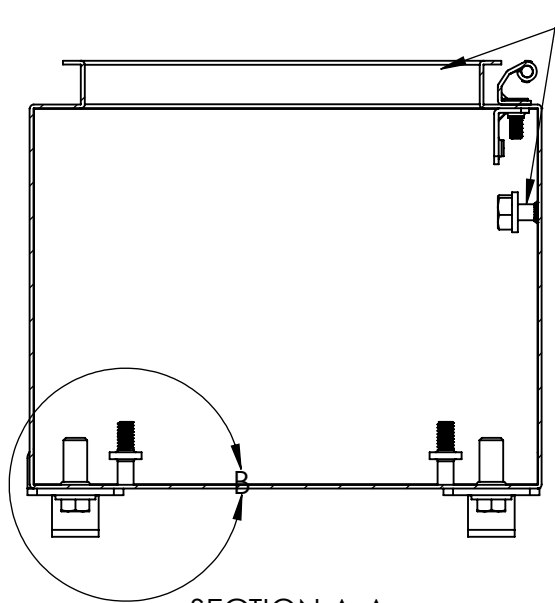
B

B

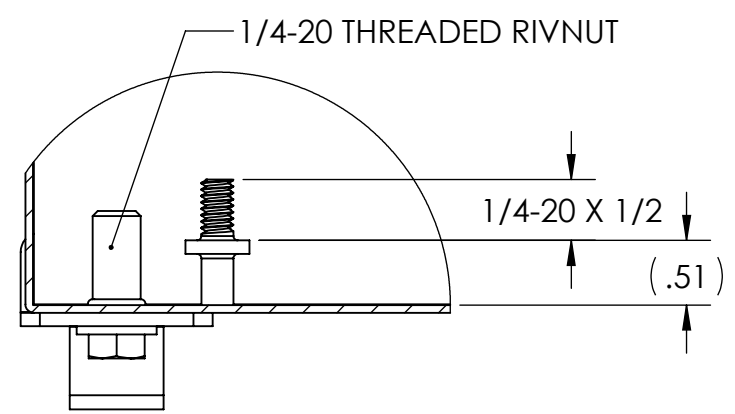


COVER NOT SHOWN FOR CLARITY

1/4-20 GROUND STUDS IN COVER AND BASE



SECTION A-A



DETAIL B x 4
SCALE 2 : 3

INTEGRA ENCLOSURES
 A DIVISION OF MUM INDUSTRIES
 8989 TYLER BLVD. MENTOR, OH
 (440)269-8155 FAX (440)269-8166

UNLESS OTHERWISE SPECIFIED:
 DIMENSIONS ARE IN INCHES [MM]
 AND ARE NOMINAL ONLY

PROPRIETARY AND CONFIDENTIAL
 THE INFORMATION CONTAINED IN THIS
 DRAWING IS THE SOLE PROPERTY OF
 MUM INDUSTRIES INC. ANY
 REPRODUCTION IN PART OR AS A WHOLE
 WITHOUT THE WRITTEN PERMISSION OF
 MUM INDUSTRIES INC. IS PROHIBITED.

DRAWN BY: JMS 06.25.2021

DWG. NO. W100806-4PQ-BT		
SIZE B	DESCRIPTION: WALL-10X08X06-304- PHN-QTL	REV D
SCALE: 1:3	WEIGHT:	SHEET 2 OF 2

4

3

2

1

A

A