

4

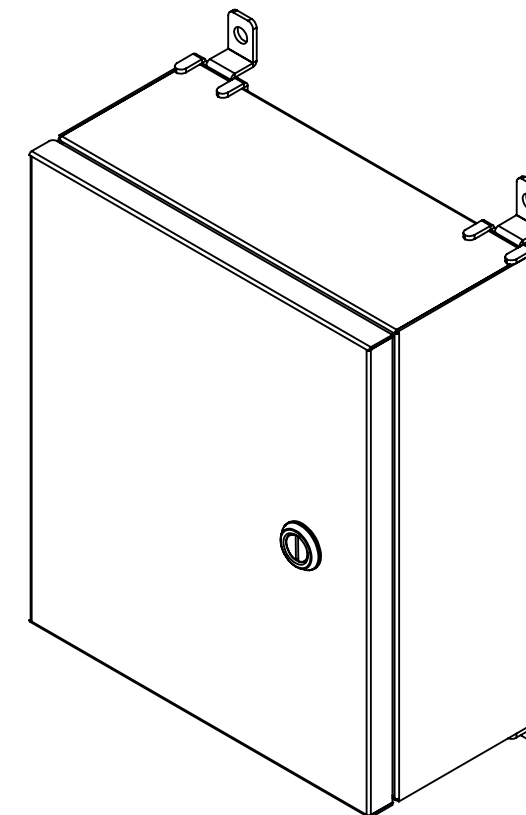
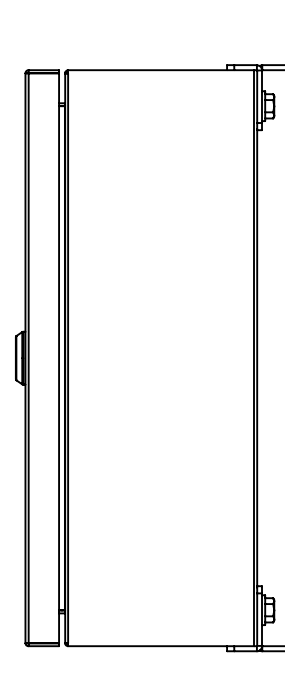
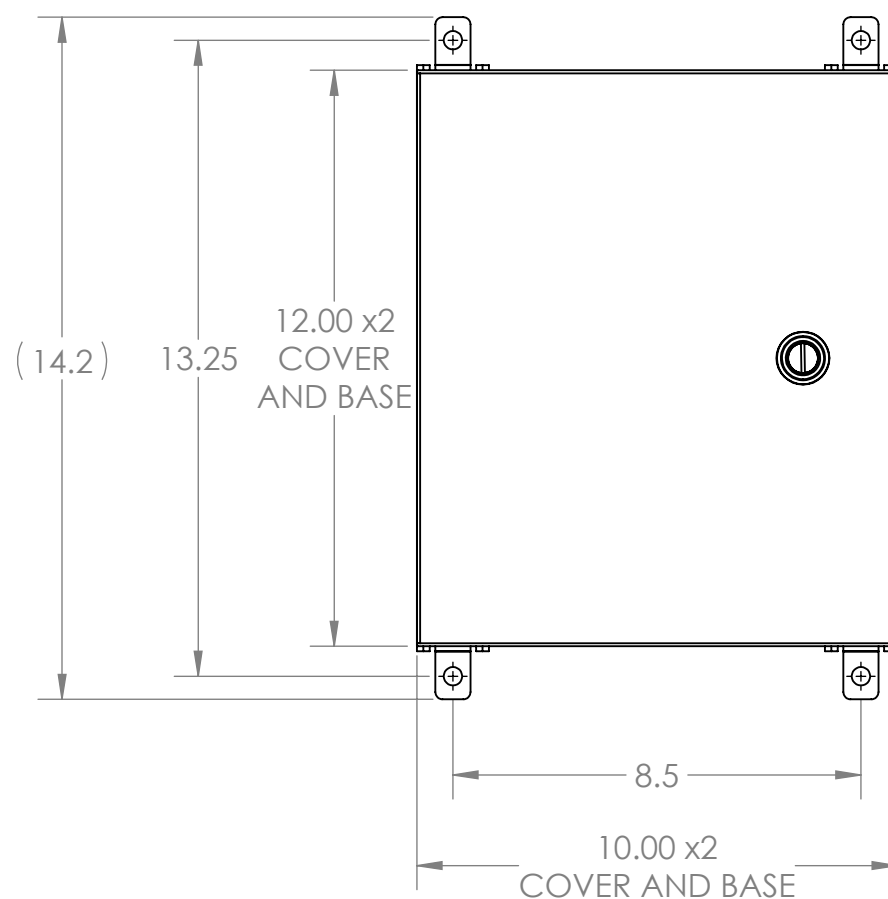
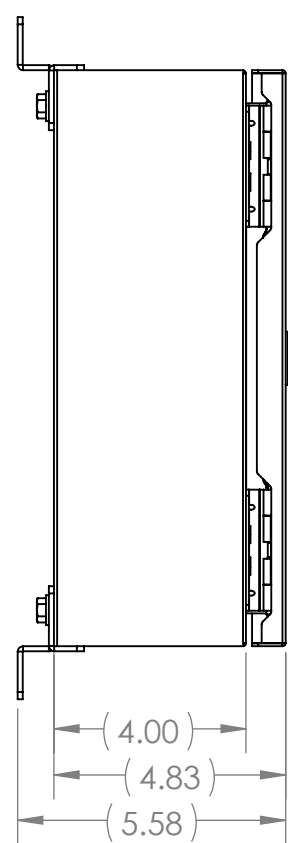
3

2

1

B

B



A

A

- NOTE:
 1. BASE MATERIAL: 16 Ga. (.060") 304 SS
 2. COVER MATERIAL: 16 Ga. (.060") 304 SS

INTEGRA ENCLOSURES

INTEGRA A DIVISION OF MUM INDUSTRIES
 ENCLOSURES 8989 TYLER BLVD. MENTOR, OH
 (440)269-8155 FAX (440)269-8166

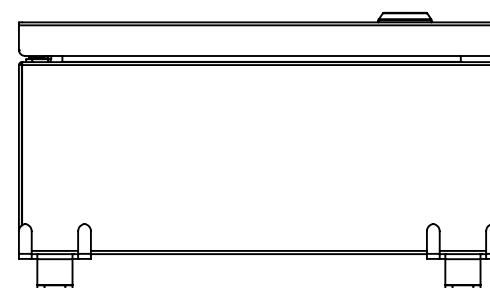
UNLESS OTHERWISE SPECIFIED: DIMENSIONS ARE IN INCHES [MM] AND ARE NOMINAL ONLY		DWG. NO. W121004-4PQ-BT	
PROPRIETARY AND CONFIDENTIAL THE INFORMATION CONTAINED IN THIS DRAWING IS THE SOLE PROPERTY OF MUM INDUSTRIES INC. ANY REPRODUCTION IN PART OR AS A WHOLE WITHOUT THE WRITTEN PERMISSION OF MUM INDUSTRIES INC. IS PROHIBITED.			
SIZE B	DESCRIPTION: WALL-12X10X04-304- PHN-QTL	REV C	
DRAWN BY: DLA	06.22.2021	SCALE: 1:4	WEIGHT: SHEET 1 OF 2

4

3

2

1



4

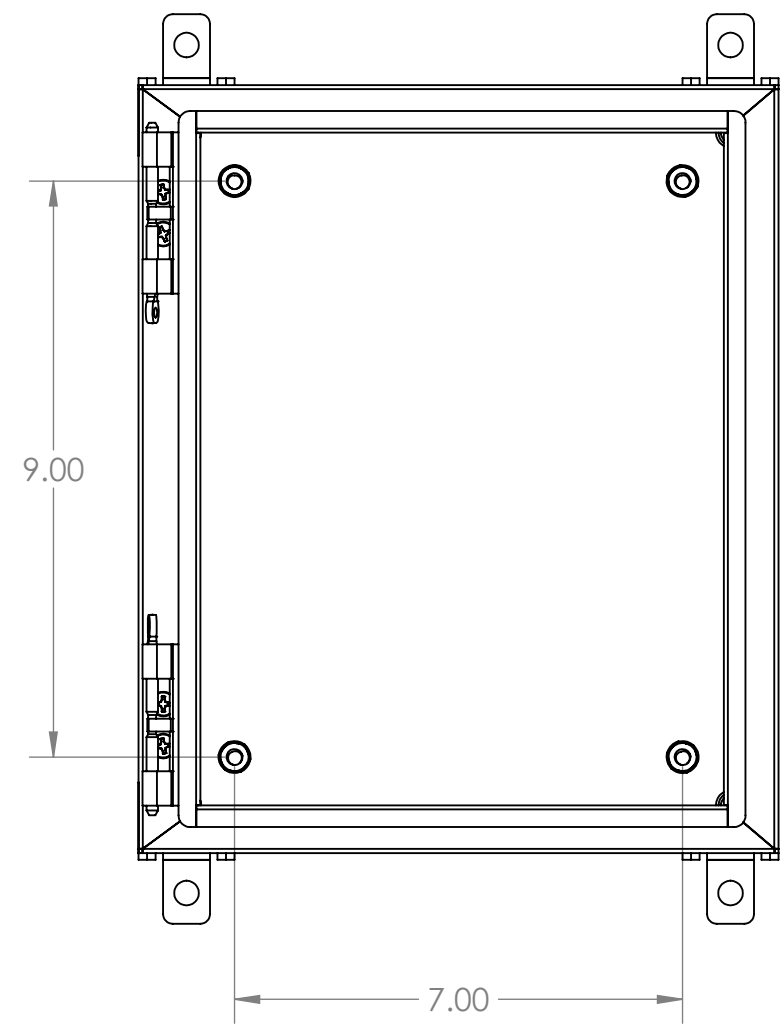
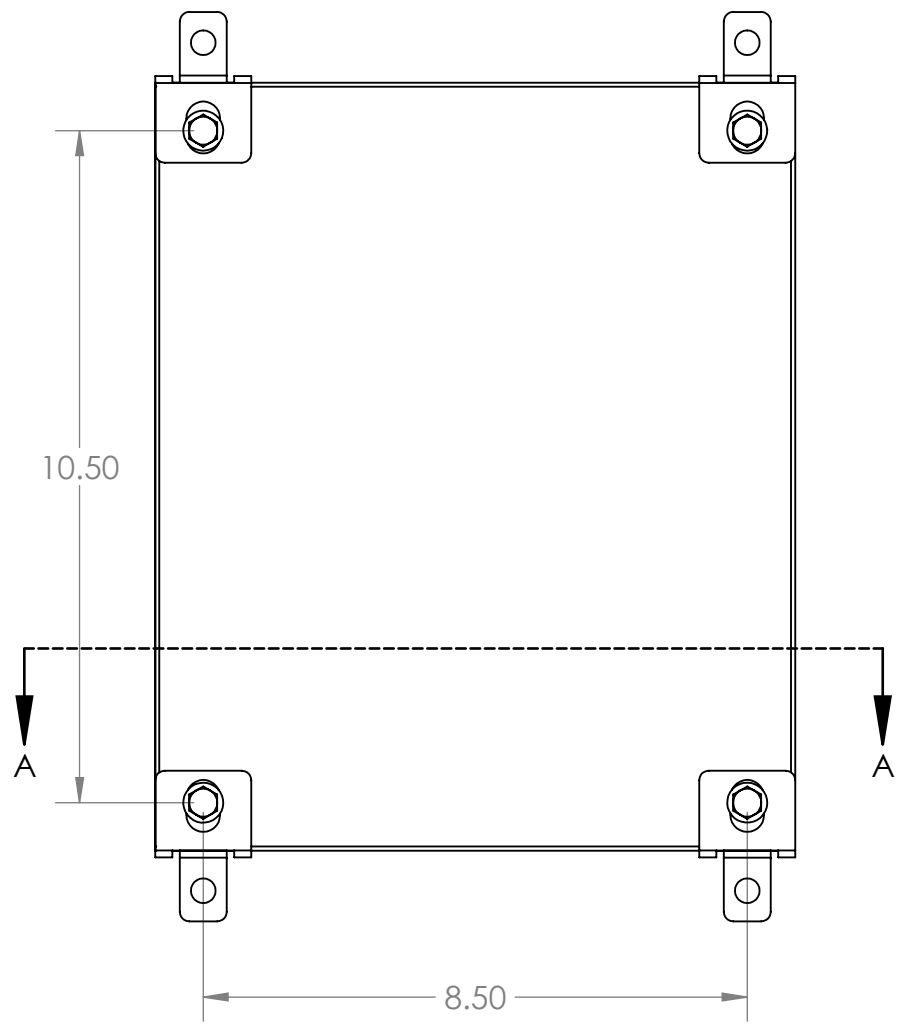
3

2

1

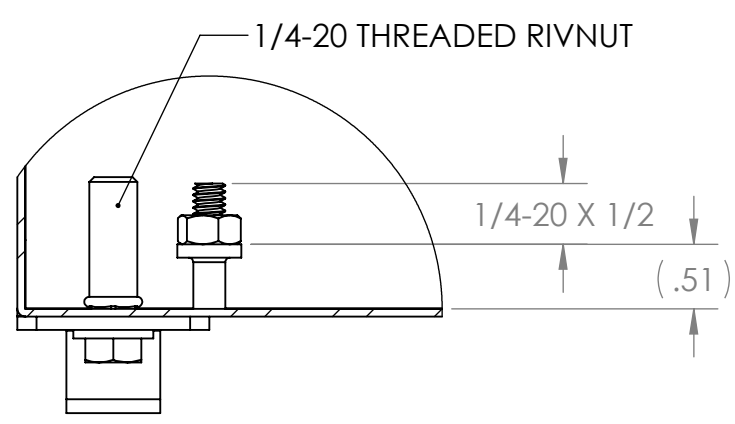
B

B

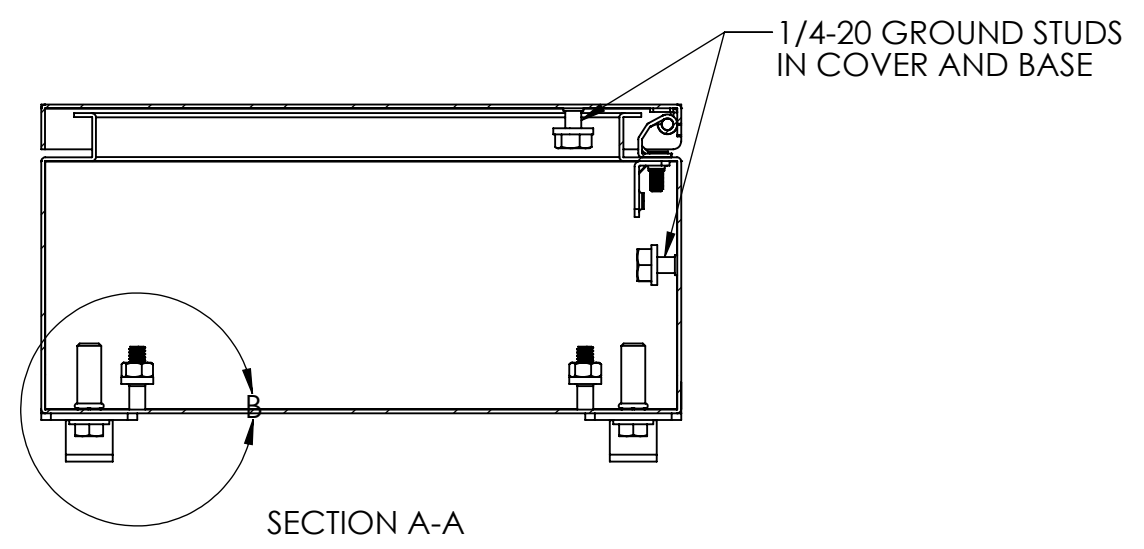


A

A



DETAIL B x 4
SCALE 2 : 3



INTEGRA ENCLOSURES

INTEGRA ENCLOSURES A DIVISION OF MUM INDUSTRIES
8989 TYLER BLVD. MENTOR, OH
(440)269-8155 FAX (440)269-8166

UNLESS OTHERWISE SPECIFIED:
DIMENSIONS ARE IN INCHES [MM]
AND ARE NOMINAL ONLY

PROPRIETARY AND CONFIDENTIAL
THE INFORMATION CONTAINED IN THIS
DRAWING IS THE SOLE PROPERTY OF
MUM INDUSTRIES INC. ANY
REPRODUCTION IN PART OR AS A WHOLE
WITHOUT THE WRITTEN PERMISSION OF
MUM INDUSTRIES INC. IS PROHIBITED.

DRAWN BY: DLA 06.22.2021

DWG. NO.

W121004-4PQ-BT

SIZE	DESCRIPTION:	REV
B	WALL-12X10X04-304- PHN-QTL	C

SCALE: 1:3 WEIGHT: SHEET 2 OF 2

4

3

2

1