

4

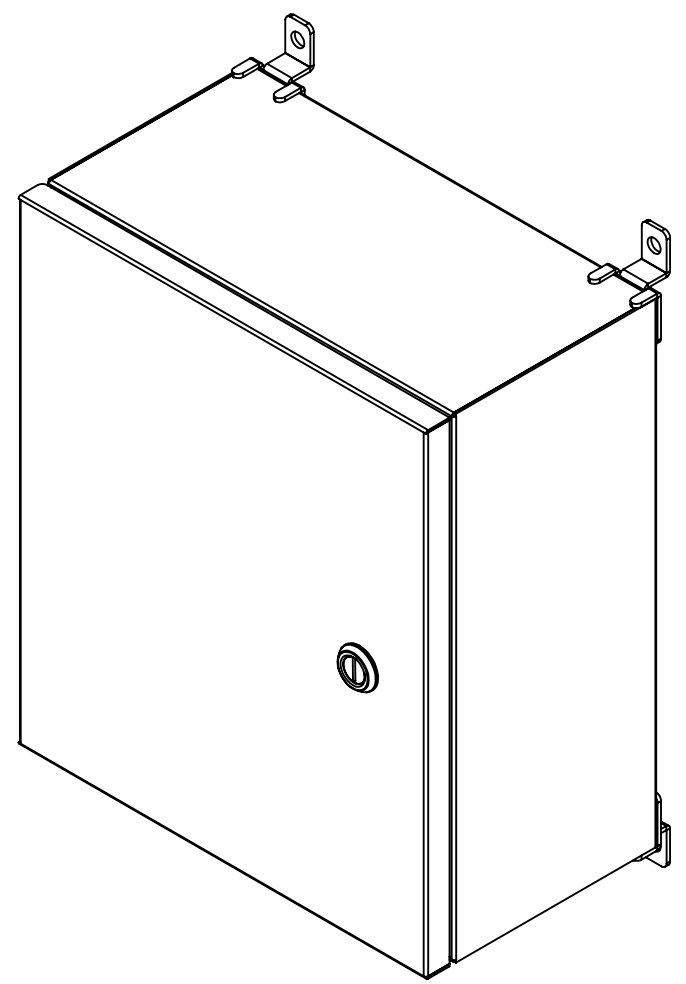
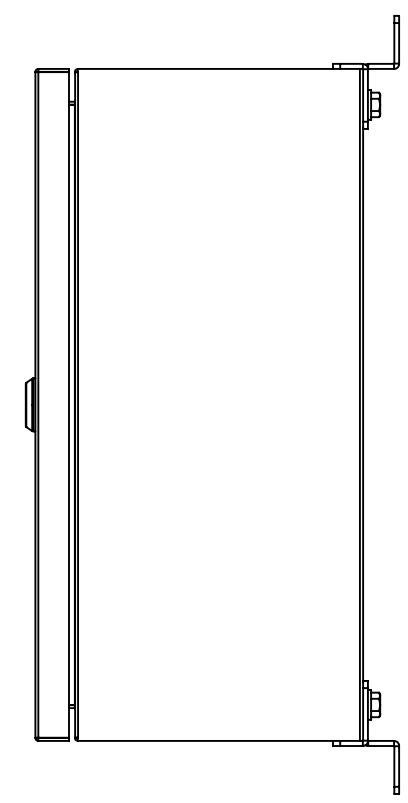
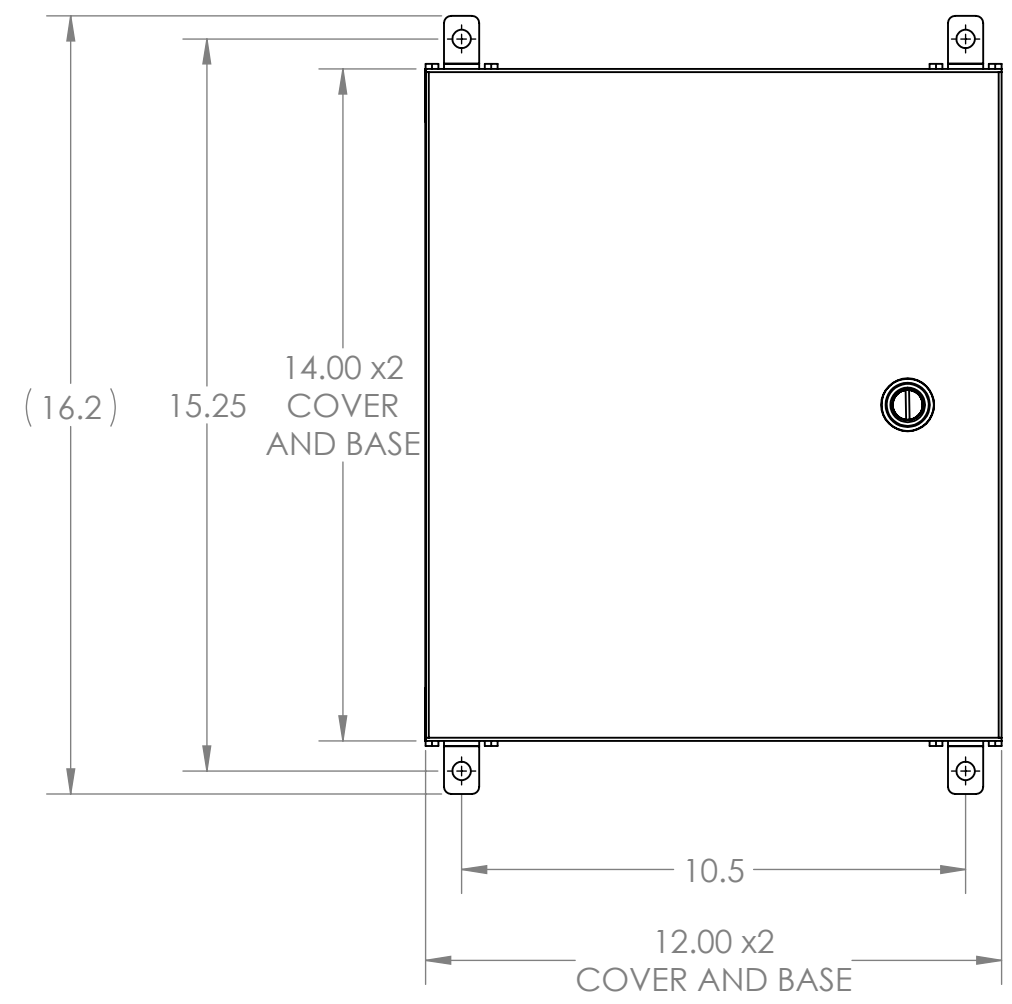
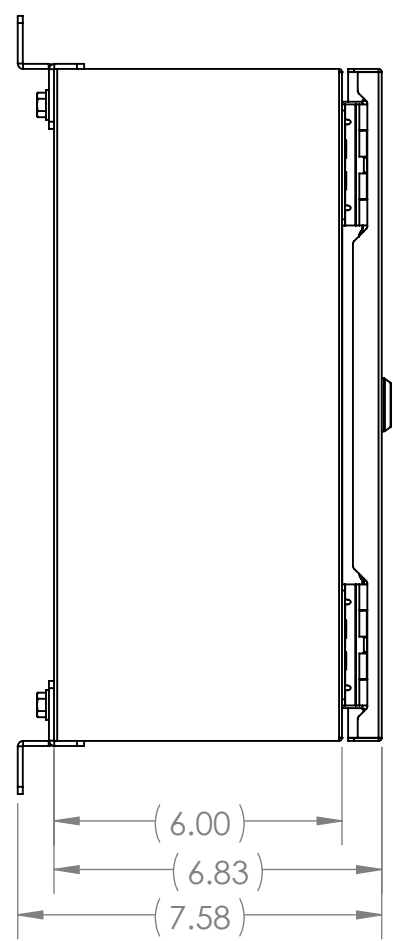
3

2

1

B

B



A

A

4

3

2

1

- NOTE:  
 1. BASE MATERIAL: 16 Ga. (.060") 304 SS  
 2. COVER MATERIAL: 16 Ga. (.060") 304 SS

UNLESS OTHERWISE SPECIFIED:  
 DIMENSIONS ARE IN INCHES [MM]  
 AND ARE NOMINAL ONLY

**PROPRIETARY AND CONFIDENTIAL**  
 THE INFORMATION CONTAINED IN THIS  
 DRAWING IS THE SOLE PROPERTY OF  
 MUM INDUSTRIES INC. ANY  
 REPRODUCTION IN PART OR AS A WHOLE  
 WITHOUT THE WRITTEN PERMISSION OF  
 MUM INDUSTRIES INC. IS PROHIBITED.

**INTEGRA ENCLOSURES**  
 A DIVISION OF MUM INDUSTRIES  
 8989 TYLER BLVD. MENTOR, OH  
 (440)269-8155 FAX (440)269-8166

DWG. NO.		
W141206-4PQ-BT		
SIZE	DESCRIPTION:	REV
<b>B</b>	WALL-14X12X06-304- PHN-QTL	<b>C</b>
DRAWN BY:	DLA	06.22.2021
SCALE: 1:4	WEIGHT:	SHEET 1 OF 2

4

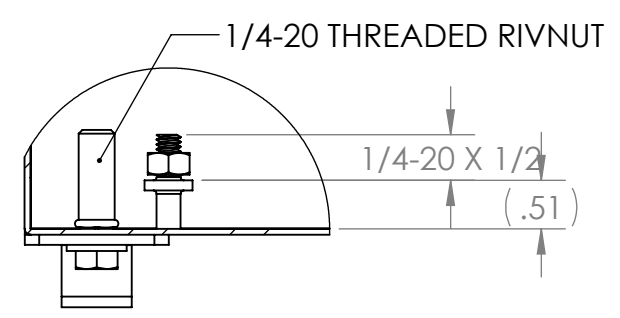
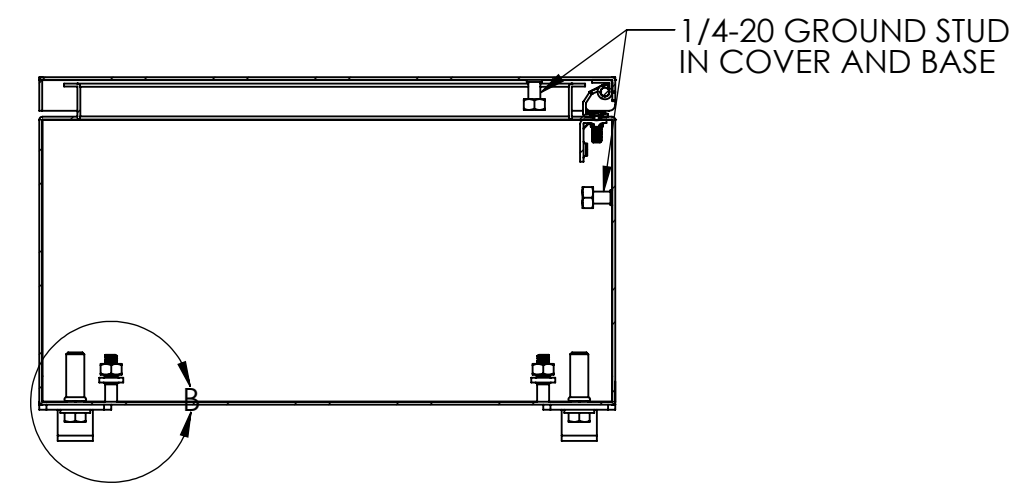
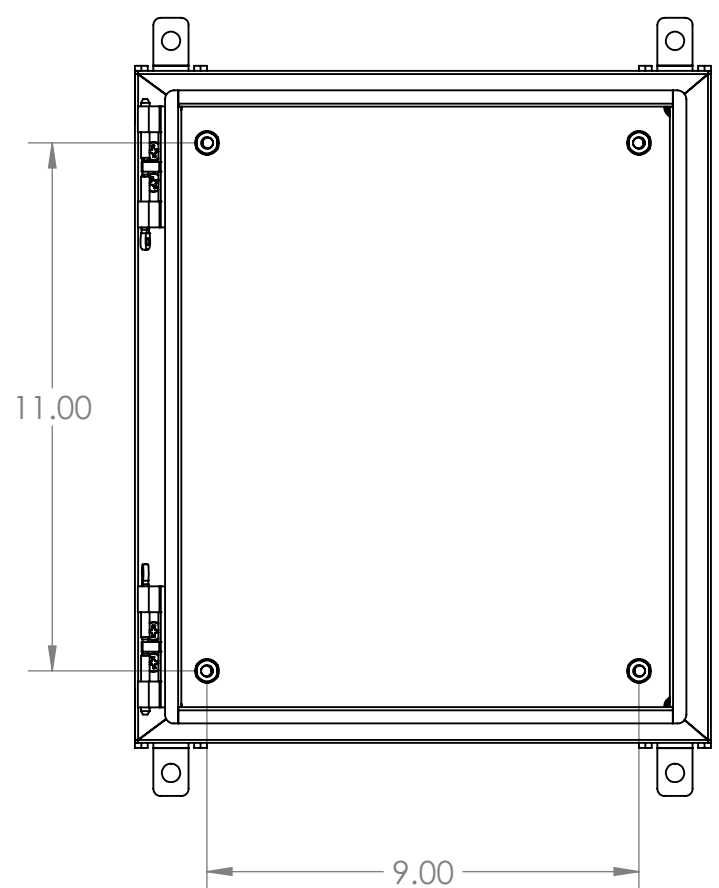
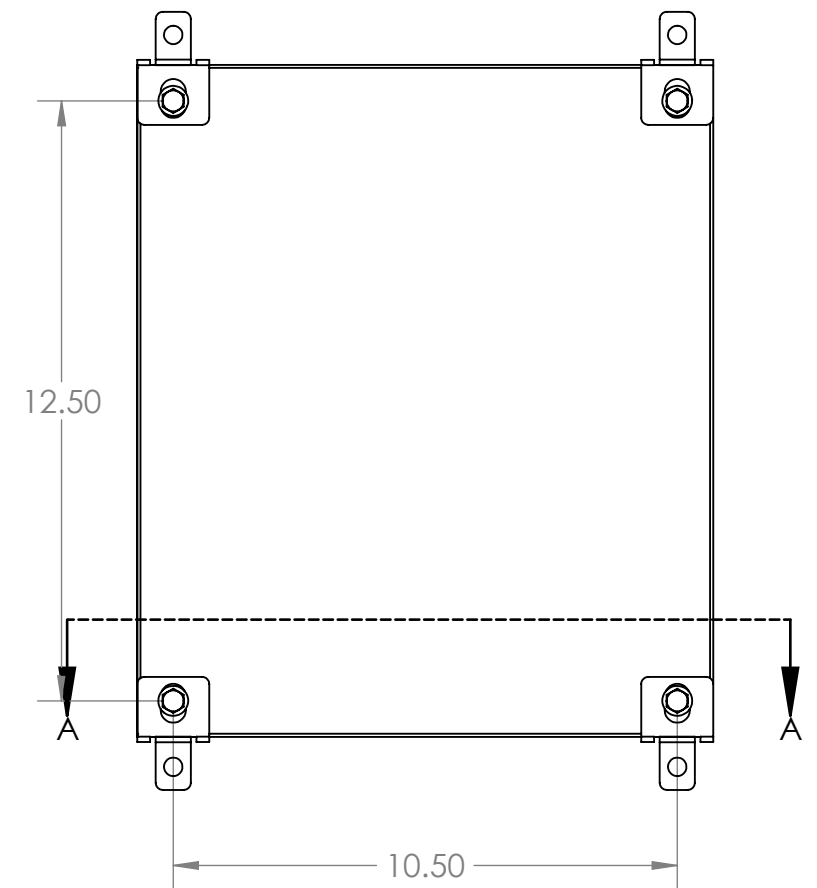
3

2

1

B

B



DETAIL B x 4  
SCALE 1 : 2

SECTION A-A

### INTEGRA ENCLOSURES

**INTEGRA** ENCLOSURES A DIVISION OF MUM INDUSTRIES  
8989 TYLER BLVD. MENTOR, OH  
(440)269-8155 FAX (440)269-8166

UNLESS OTHERWISE SPECIFIED:  
DIMENSIONS ARE IN INCHES [MM]  
AND ARE NOMINAL ONLY

**PROPRIETARY AND CONFIDENTIAL**  
THE INFORMATION CONTAINED IN THIS  
DRAWING IS THE SOLE PROPERTY OF  
MUM INDUSTRIES INC. ANY  
REPRODUCTION IN PART OR AS A WHOLE  
WITHOUT THE WRITTEN PERMISSION OF  
MUM INDUSTRIES INC. IS PROHIBITED.

DRAWN BY: DLA 06.22.2021

DWG. NO.

W141206-4PQ-BT

SIZE	DESCRIPTION:	REV
<b>B</b>	WALL-14X12X06-304-PHN-QTL	<b>C</b>

SCALE: 1:4 WEIGHT: SHEET 2 OF 2

4

3

2

1

A

A