

4

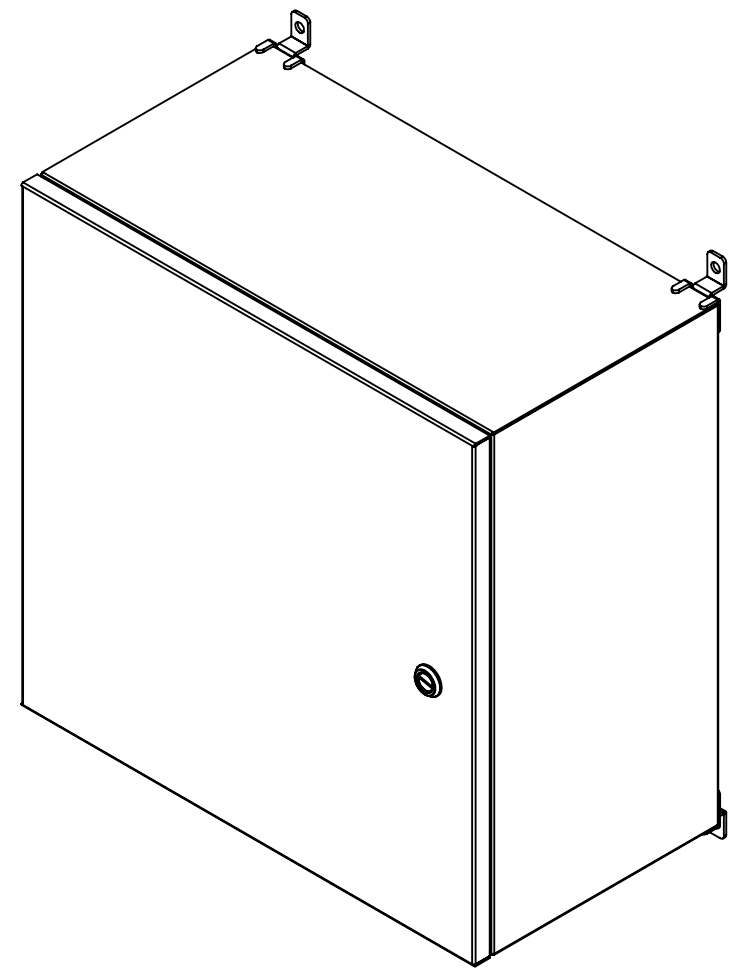
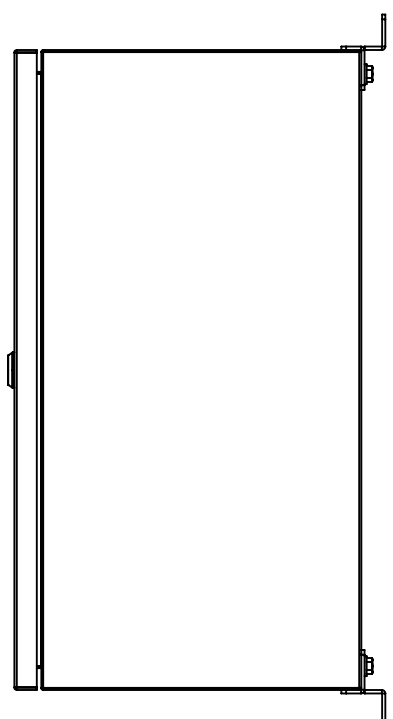
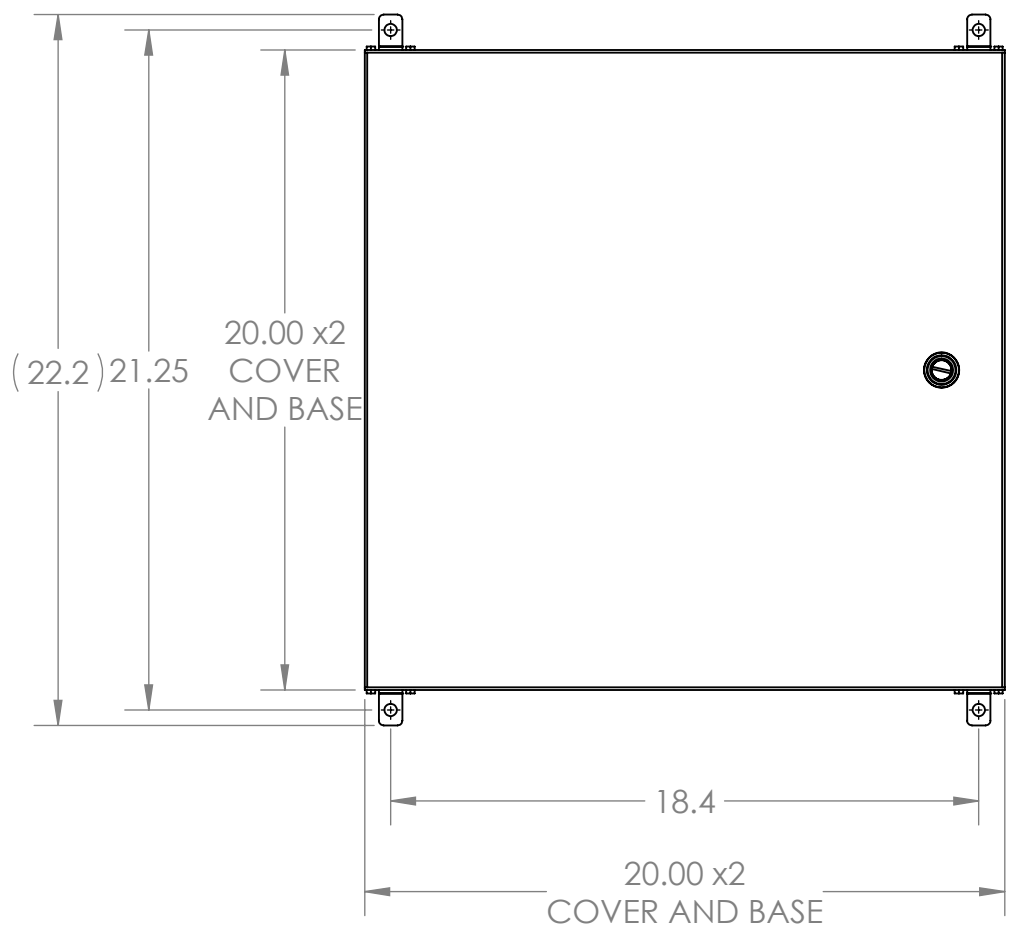
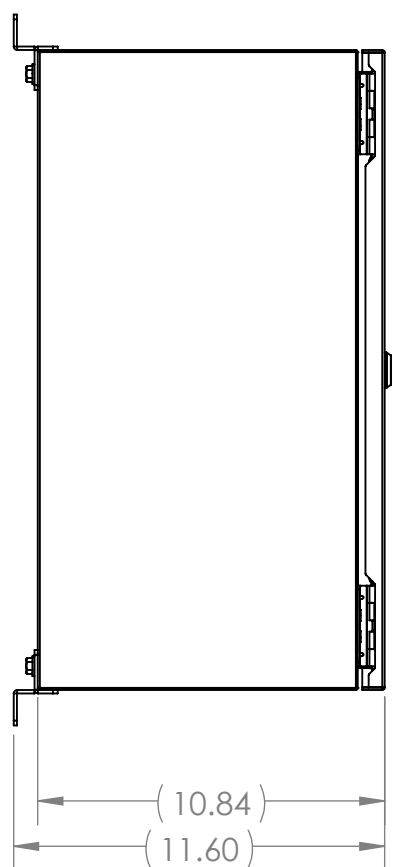
3

2

1

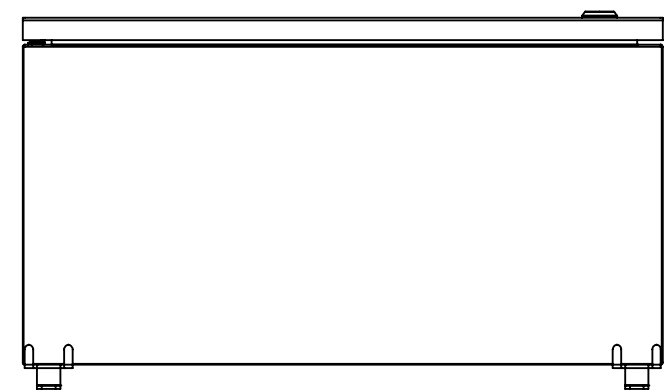
B

B



A

A



4

3

2

1

- NOTE:  
 1. BASE MATERIAL: 16 Ga. (.060") 304 SS  
 2. COVER MATERIAL: 14 Ga. (.075") 304 SS

UNLESS OTHERWISE SPECIFIED:  
 DIMENSIONS ARE IN INCHES [MM]  
 AND ARE NOMINAL ONLY

**PROPRIETARY AND CONFIDENTIAL**  
 THE INFORMATION CONTAINED IN THIS  
 DRAWING IS THE SOLE PROPERTY OF  
 MUM INDUSTRIES INC. ANY  
 REPRODUCTION IN PART OR AS A WHOLE  
 WITHOUT THE WRITTEN PERMISSION OF  
 MUM INDUSTRIES INC. IS PROHIBITED.

**INTEGRA ENCLOSURES**  
 A DIVISION OF MUM INDUSTRIES  
 8989 TYLER BLVD. MENTOR, OH  
 (440)269-8155 FAX (440)269-8166

DWG. NO.		
W202010-4PQ-BT		
SIZE	DESCRIPTION:	REV
<b>B</b>	WALL-20X20X10-304- PHN-QTL	<b>C</b>
DRAWN BY:	DLA	04.12.2021
SCALE: 1:6	WEIGHT:	SHEET 1 OF 2

4

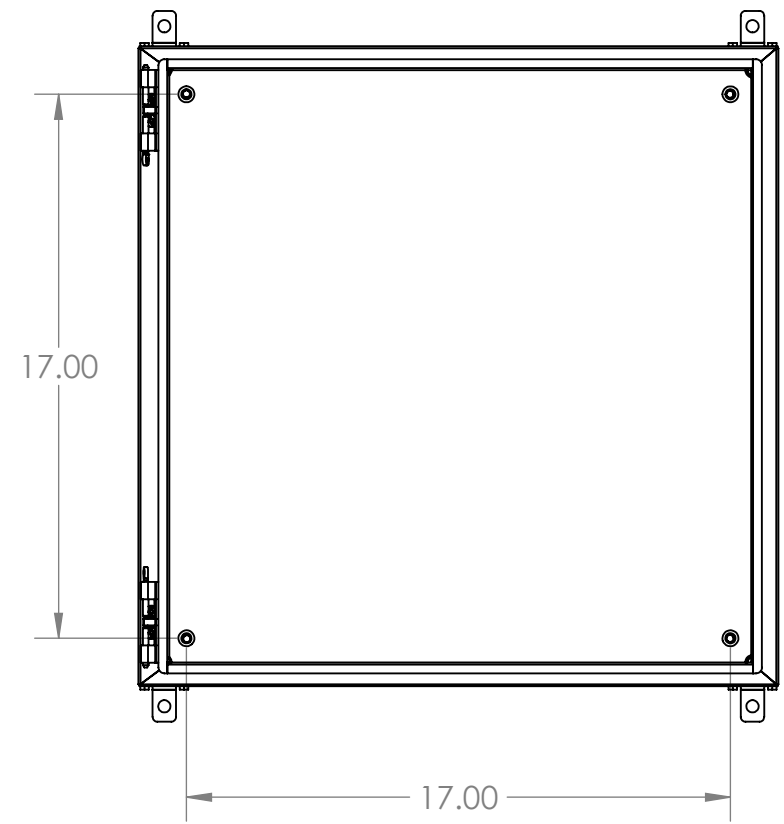
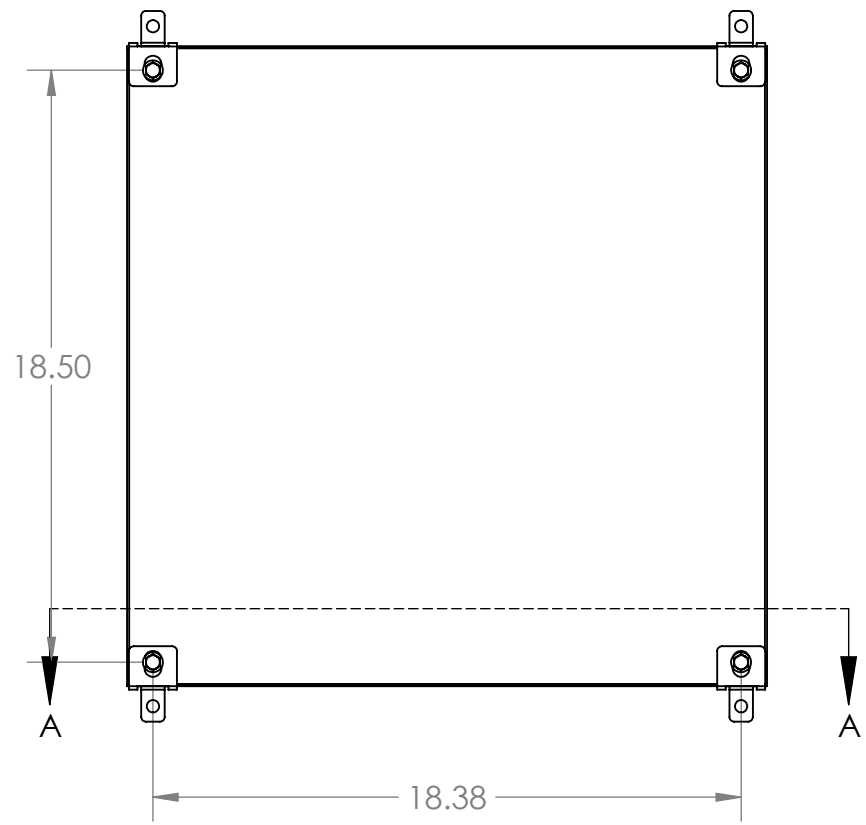
3

2

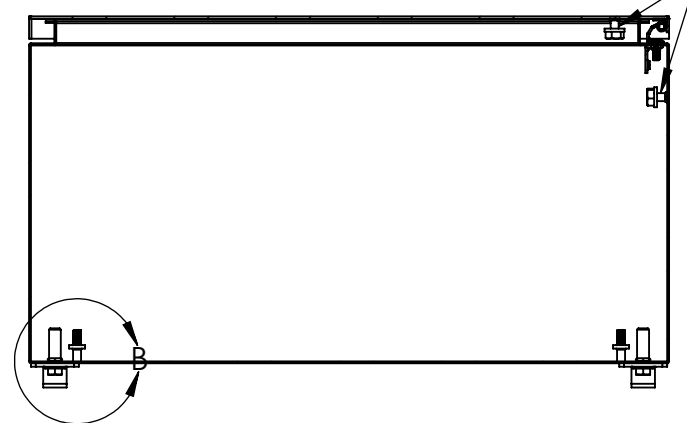
1

B

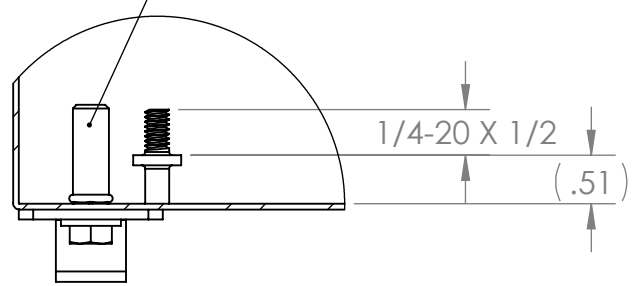
B



1/4-20 GROUND STUDS IN COVER AND BASE



1/4-20 THREADED RIVNUT



DETAIL B x 4  
SCALE 1 : 2

SECTION A-A

**INTEGRA ENCLOSURES**

**INTEGRA** A DIVISION OF MUM INDUSTRIES  
ENCLOSURES 8989 TYLER BLVD. MENTOR, OH  
(440)269-8155 FAX (440)269-8166

UNLESS OTHERWISE SPECIFIED:  
DIMENSIONS ARE IN INCHES [MM]  
AND ARE NOMINAL ONLY

**PROPRIETARY AND CONFIDENTIAL**  
THE INFORMATION CONTAINED IN THIS  
DRAWING IS THE SOLE PROPERTY OF  
MUM INDUSTRIES INC. ANY  
REPRODUCTION IN PART OR AS A WHOLE  
WITHOUT THE WRITTEN PERMISSION OF  
MUM INDUSTRIES INC. IS PROHIBITED.

DRAWN BY: DLA 04.12.2021

DWG. NO.

**W202010-4PQ-BT**

SIZE	DESCRIPTION:	REV
<b>B</b>	WALL-20X20X10-304-PHN-QTL	<b>C</b>

SCALE: 1:6 WEIGHT: SHEET 2 OF 2

4

3

2

1

A

A