

4

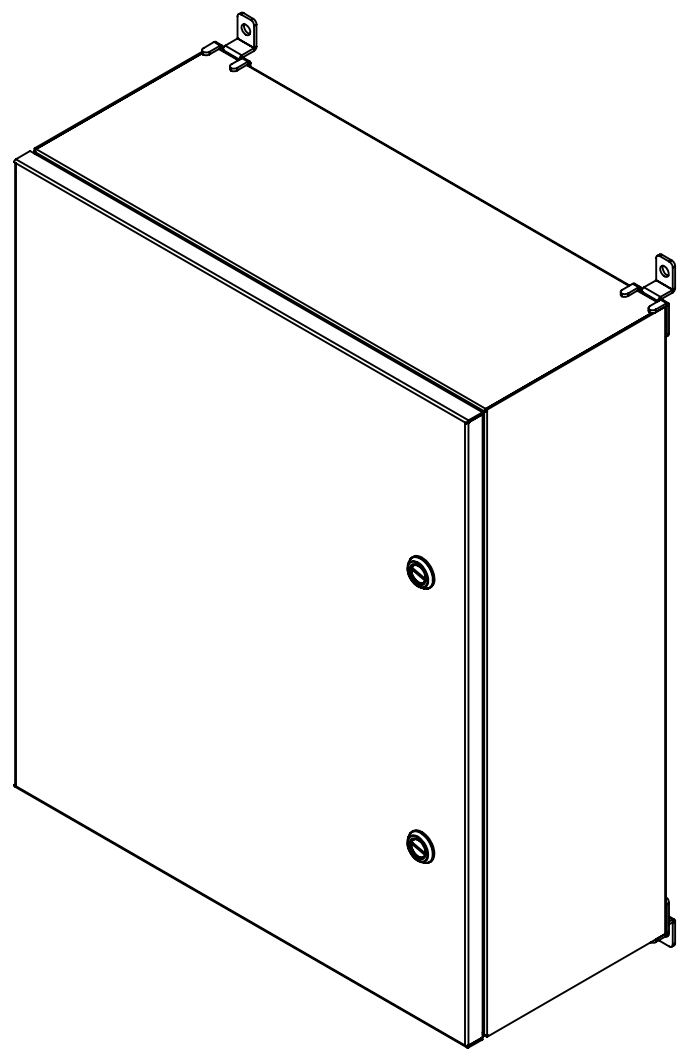
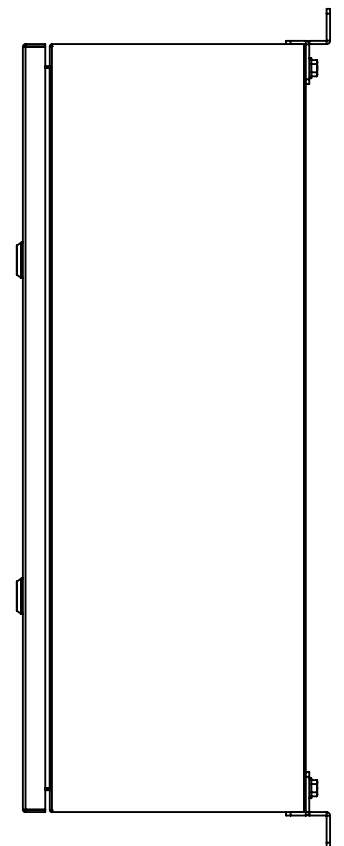
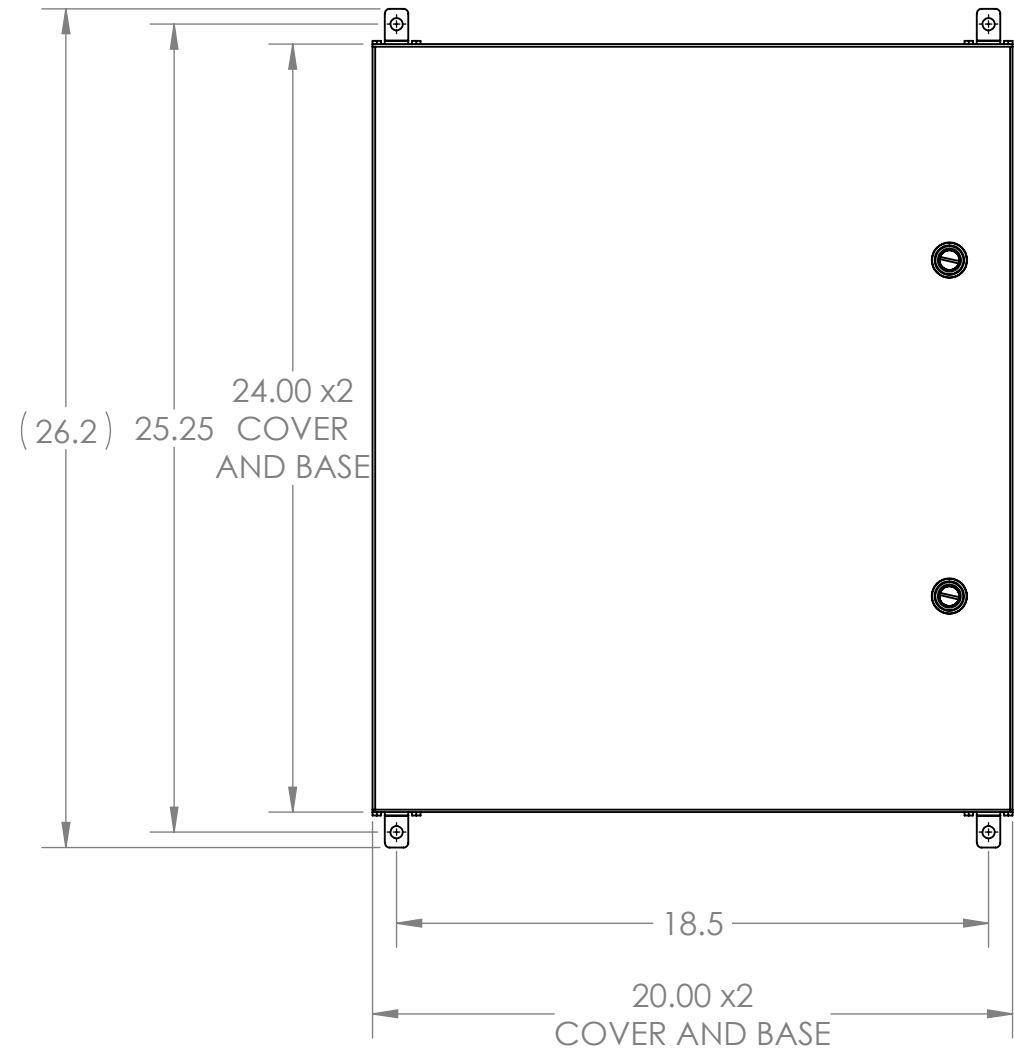
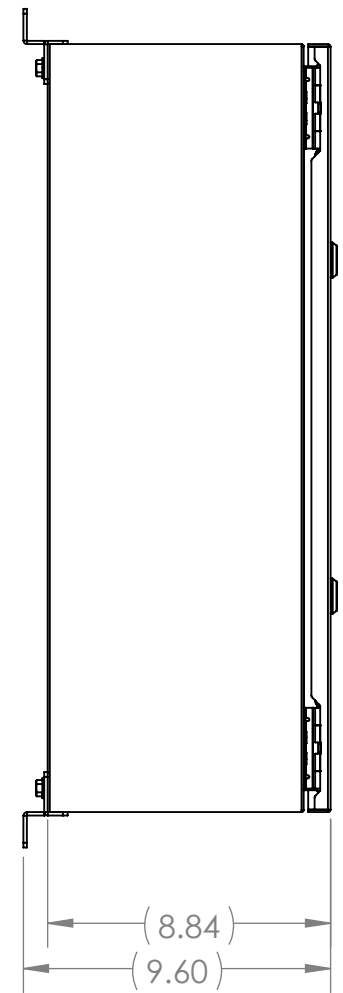
3

2

1

B

B



A

A

4

3

2

1

- NOTE:  
 1. BASE MATERIAL: 16 Ga. (.060") 304 SS  
 2. COVER MATERIAL: 14 Ga. (.075") 304 SS

**INTEGRA ENCLOSURES**  
 A DIVISION OF MUM INDUSTRIES  
 8989 TYLER BLVD. MENTOR, OH  
 (440)269-8155 FAX (440)269-8166

UNLESS OTHERWISE SPECIFIED:  
 DIMENSIONS ARE IN INCHES [MM]  
 AND ARE NOMINAL ONLY

**PROPRIETARY AND CONFIDENTIAL**  
 THE INFORMATION CONTAINED IN THIS  
 DRAWING IS THE SOLE PROPERTY OF  
 MUM INDUSTRIES INC. ANY  
 REPRODUCTION IN PART OR AS A WHOLE  
 WITHOUT THE WRITTEN PERMISSION OF  
 MUM INDUSTRIES INC. IS PROHIBITED.

DWG. NO.		
W242008-4PQ-BT		
SIZE	DESCRIPTION:	REV
<b>B</b>	WALL-24X20X08-304- PHN-QTL	<b>C</b>
DRAWN BY:	CV	04.09.2021
SCALE: 1:6	WEIGHT:	SHEET 1 OF 2

4

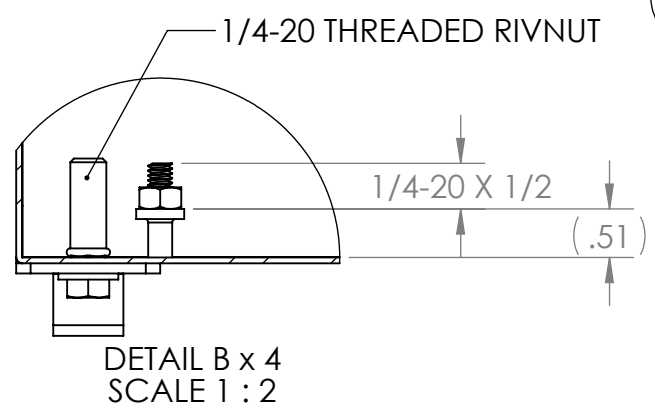
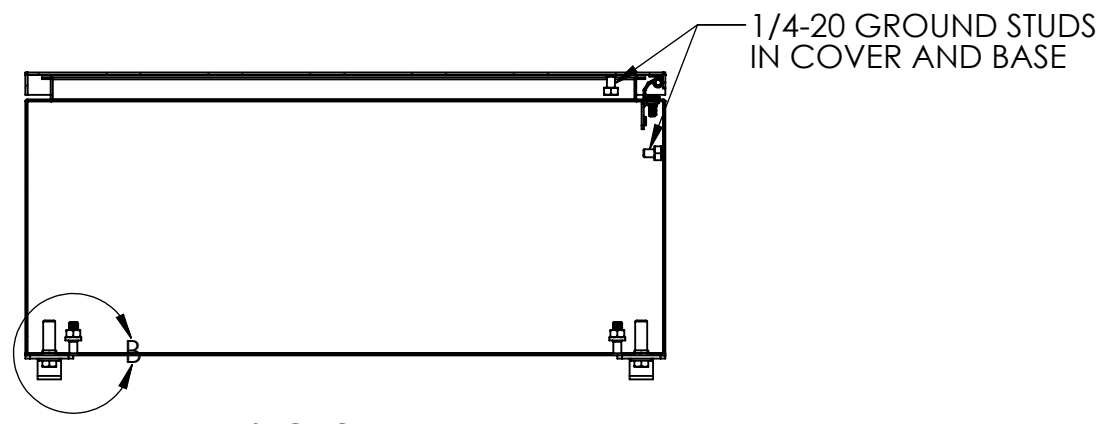
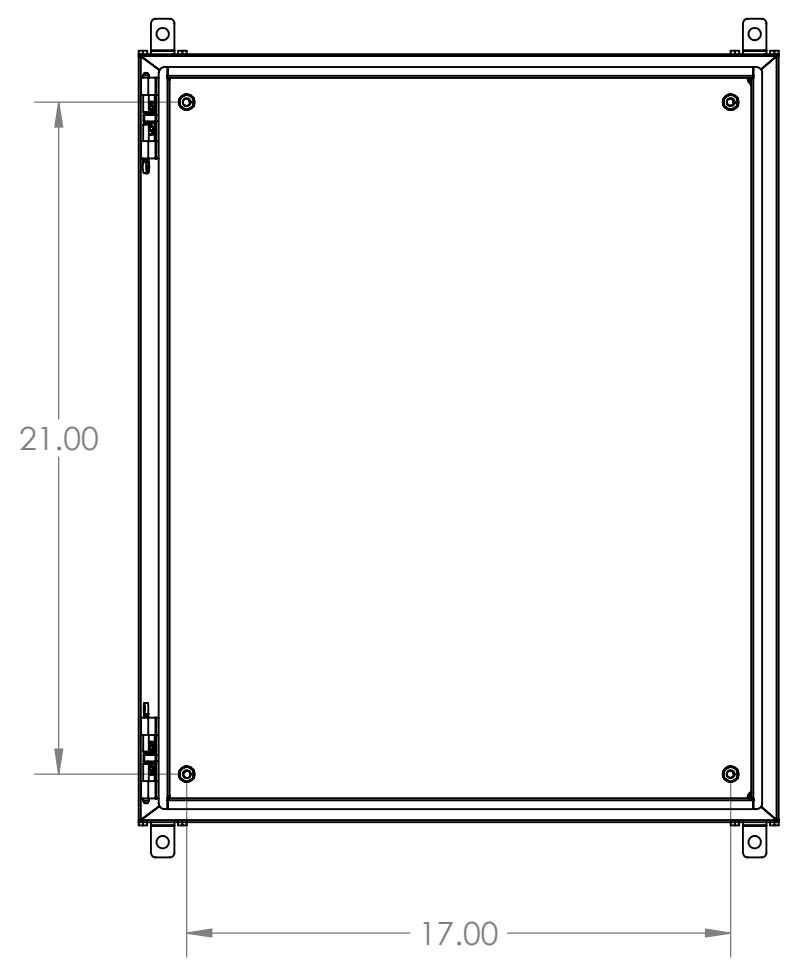
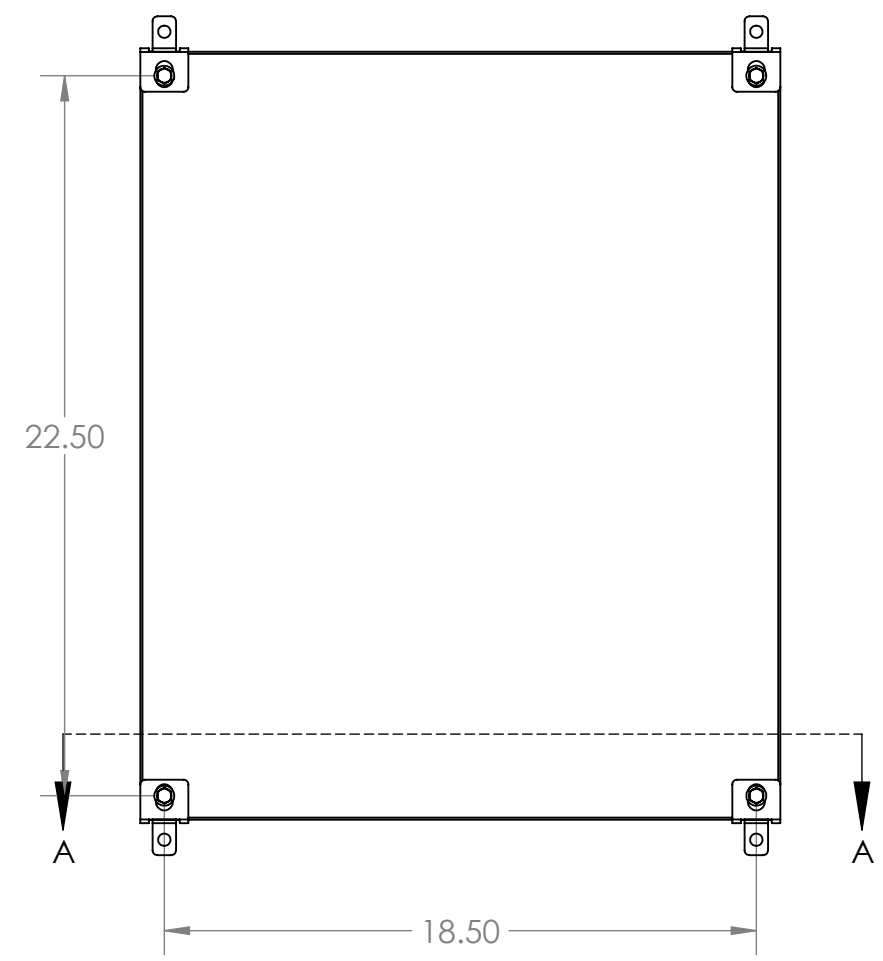
3

2

1

B

B



**INTEGRA ENCLOSURES**  
 A DIVISION OF MUM INDUSTRIES  
 8989 TYLER BLVD. MENTOR, OH  
 (440)269-8155 FAX (440)269-8166

UNLESS OTHERWISE SPECIFIED:  
 DIMENSIONS ARE IN INCHES [MM]  
 AND ARE NOMINAL ONLY

**PROPRIETARY AND CONFIDENTIAL**  
 THE INFORMATION CONTAINED IN THIS  
 DRAWING IS THE SOLE PROPERTY OF  
 MUM INDUSTRIES INC. ANY  
 REPRODUCTION IN PART OR AS A WHOLE  
 WITHOUT THE WRITTEN PERMISSION OF  
 MUM INDUSTRIES INC. IS PROHIBITED.

DWG. NO.		
W242008-4PQ-BT		
SIZE	DESCRIPTION:	REV
<b>B</b>	WALL-24X20X08-304- PHN-QTL	<b>C</b>
DRAWN BY:	CV	04.09.2021
SCALE: 1:6	WEIGHT:	SHEET 2 OF 2

4

3

2

1

A

A