

4

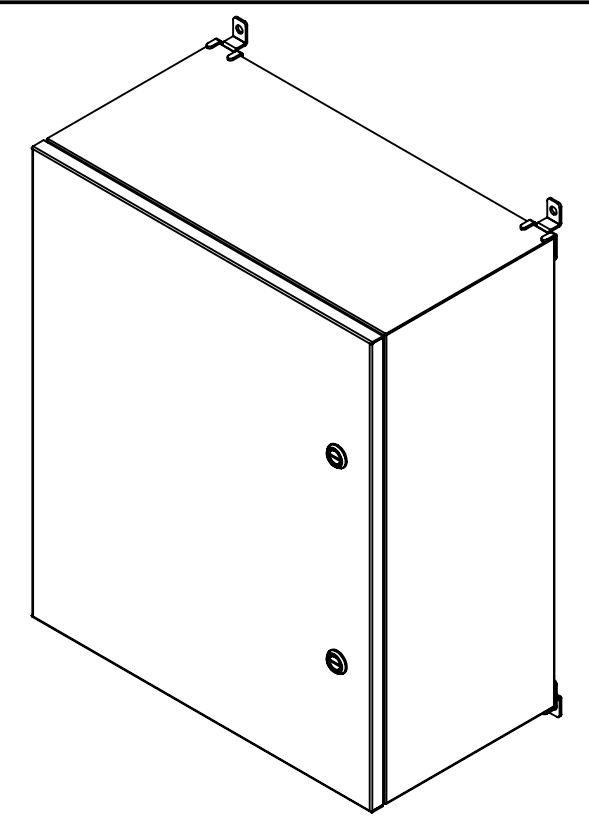
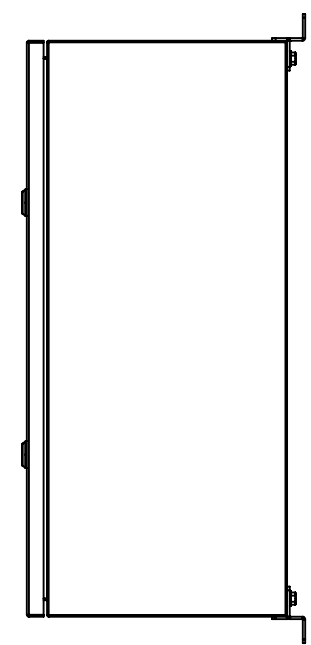
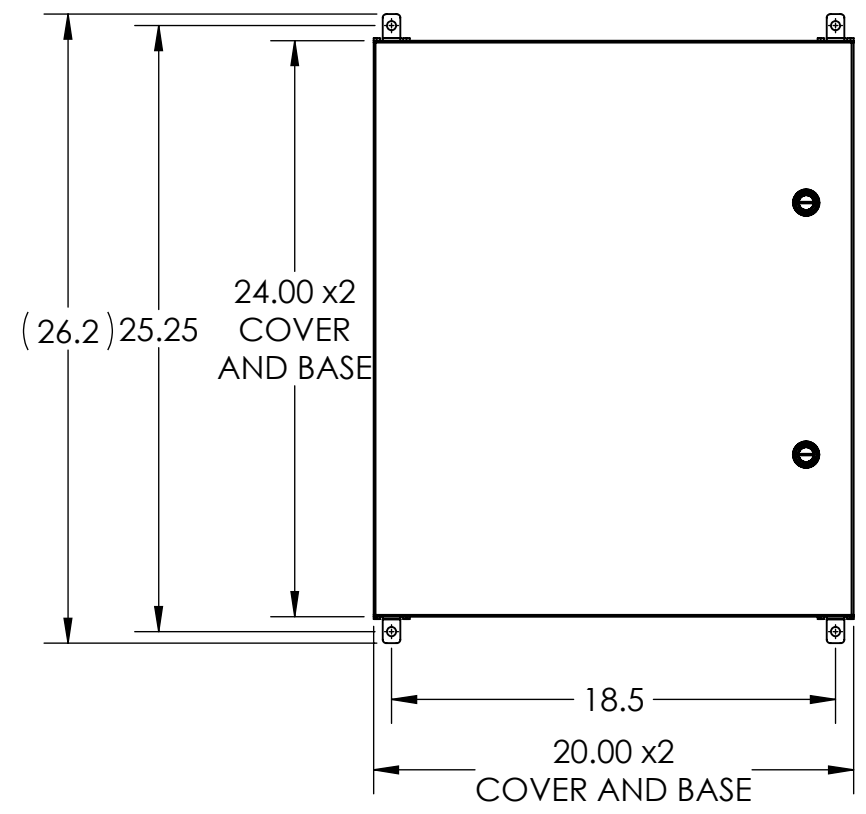
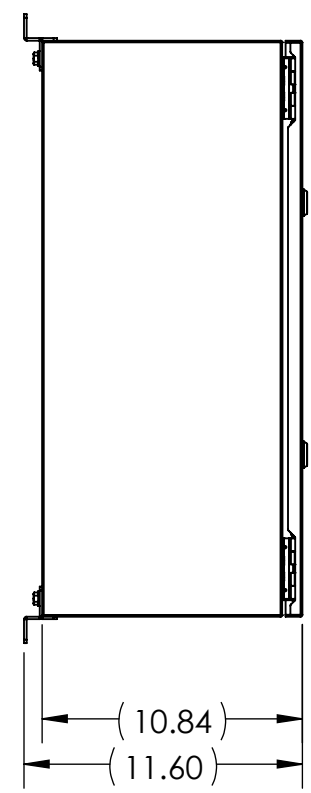
3

2

1

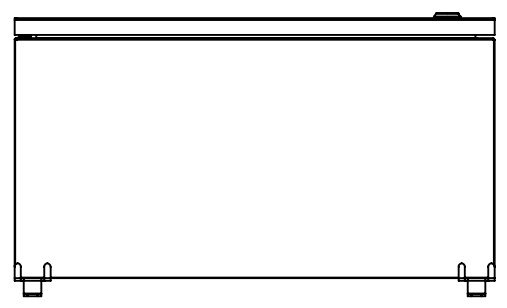
B

B



A

A



- NOTE:
 1. BASE MATERIAL: 16 Ga. (.060") 304 SS
 2. COVER MATERIAL: 14 Ga. (.075") 304 SS

INTEGRA ENCLOSURES
 A DIVISION OF MUM INDUSTRIES
 8989 TYLER BLVD. MENTOR, OH
 (440)269-8155 FAX (440)269-8166

UNLESS OTHERWISE SPECIFIED: DIMENSIONS ARE IN INCHES [MM] AND ARE NOMINAL ONLY		DWG. NO. W242010-4PQ-BT	
PROPRIETARY AND CONFIDENTIAL THE INFORMATION CONTAINED IN THIS DRAWING IS THE SOLE PROPERTY OF MUM INDUSTRIES INC. ANY REPRODUCTION IN PART OR AS A WHOLE WITHOUT THE WRITTEN PERMISSION OF MUM INDUSTRIES INC. IS PROHIBITED.		SIZE B	DESCRIPTION: WALL-24X20X10-304- PHN-QTL
DRAWN BY: CV	04.09.2021	SCALE: 1:8	WEIGHT: SHEET 1 OF 2
		REV D	

4

3

2

1

4

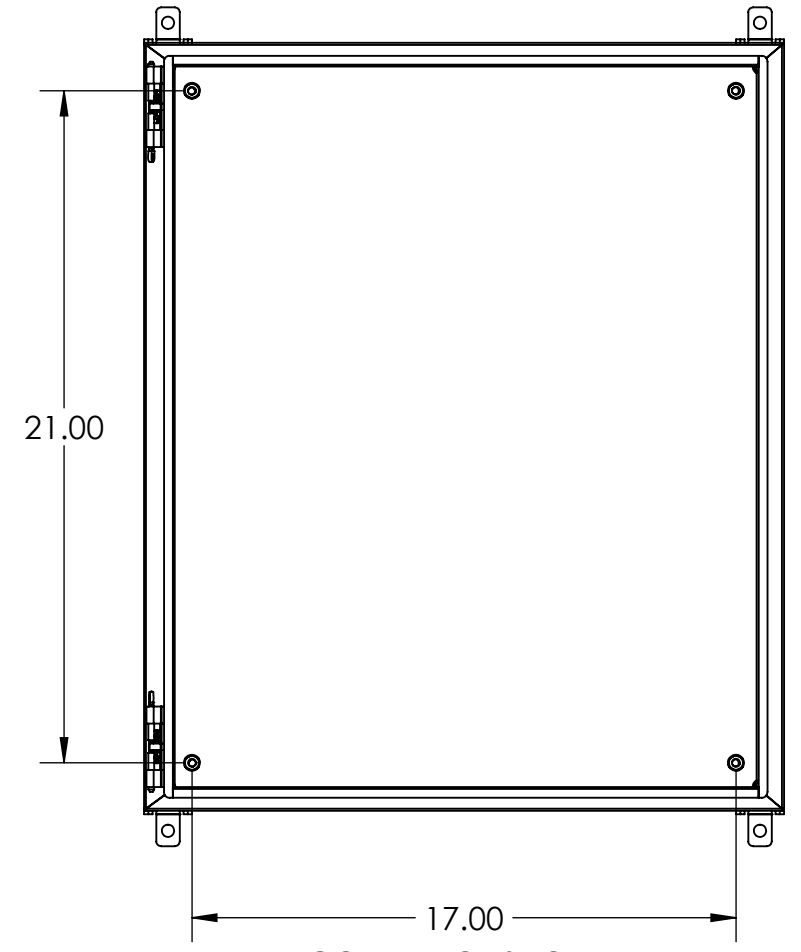
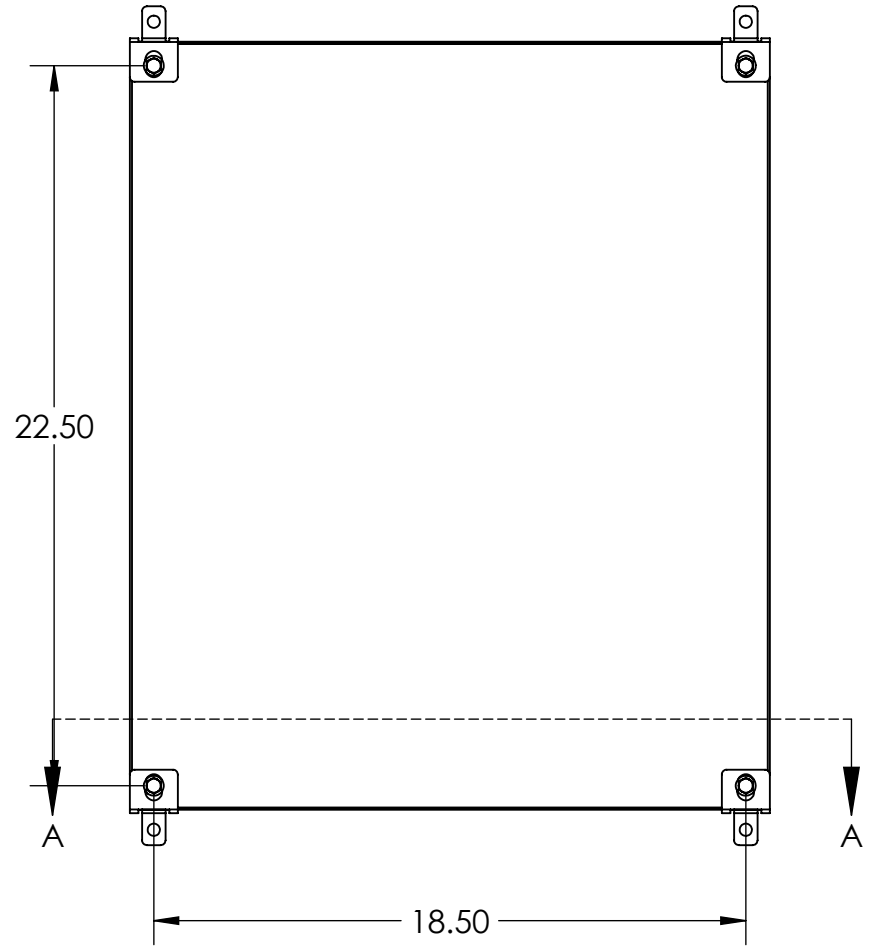
3

2

1

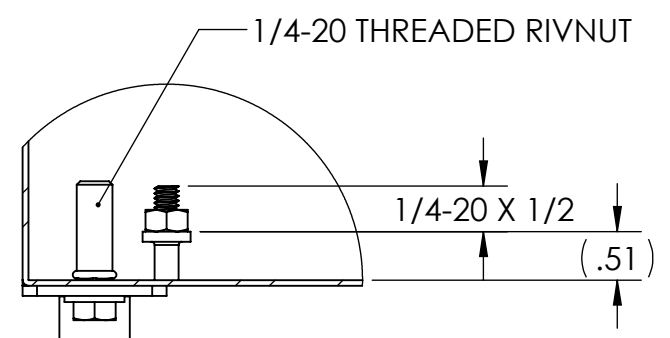
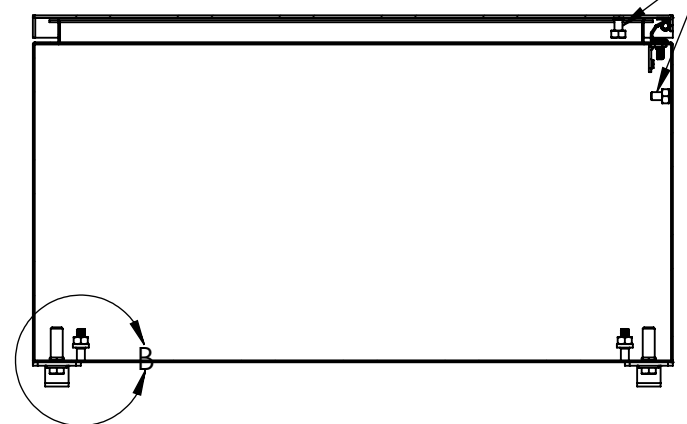
B

B



COVER NOT SHOWN FOR CLARITY

1/4-20 GROUND STUDS IN COVER AND BASE



DETAIL B x 4 SCALE 1 : 2

INTEGRA ENCLOSURES

INTEGRA ENCLOSURES A DIVISION OF MUM INDUSTRIES
8989 TYLER BLVD. MENTOR, OH
(440)269-8155 FAX (440)269-8166

UNLESS OTHERWISE SPECIFIED:
DIMENSIONS ARE IN INCHES [MM]
AND ARE NOMINAL ONLY

DWG. NO.
W242010-4PQ-BT

PROPRIETARY AND CONFIDENTIAL
THE INFORMATION CONTAINED IN THIS
DRAWING IS THE SOLE PROPERTY OF
MUM INDUSTRIES INC. ANY
REPRODUCTION IN PART OR AS A WHOLE
WITHOUT THE WRITTEN PERMISSION OF
MUM INDUSTRIES INC. IS PROHIBITED.

SIZE	DESCRIPTION:	REV
B	WALL-24X20X10-304-PHN-QTL	D

DRAWN BY: CV 04.09.2021

SCALE: 1:6 WEIGHT: SHEET 2 OF 2

4

3

2

1

A

A