

4

3

2

1

D

D

C

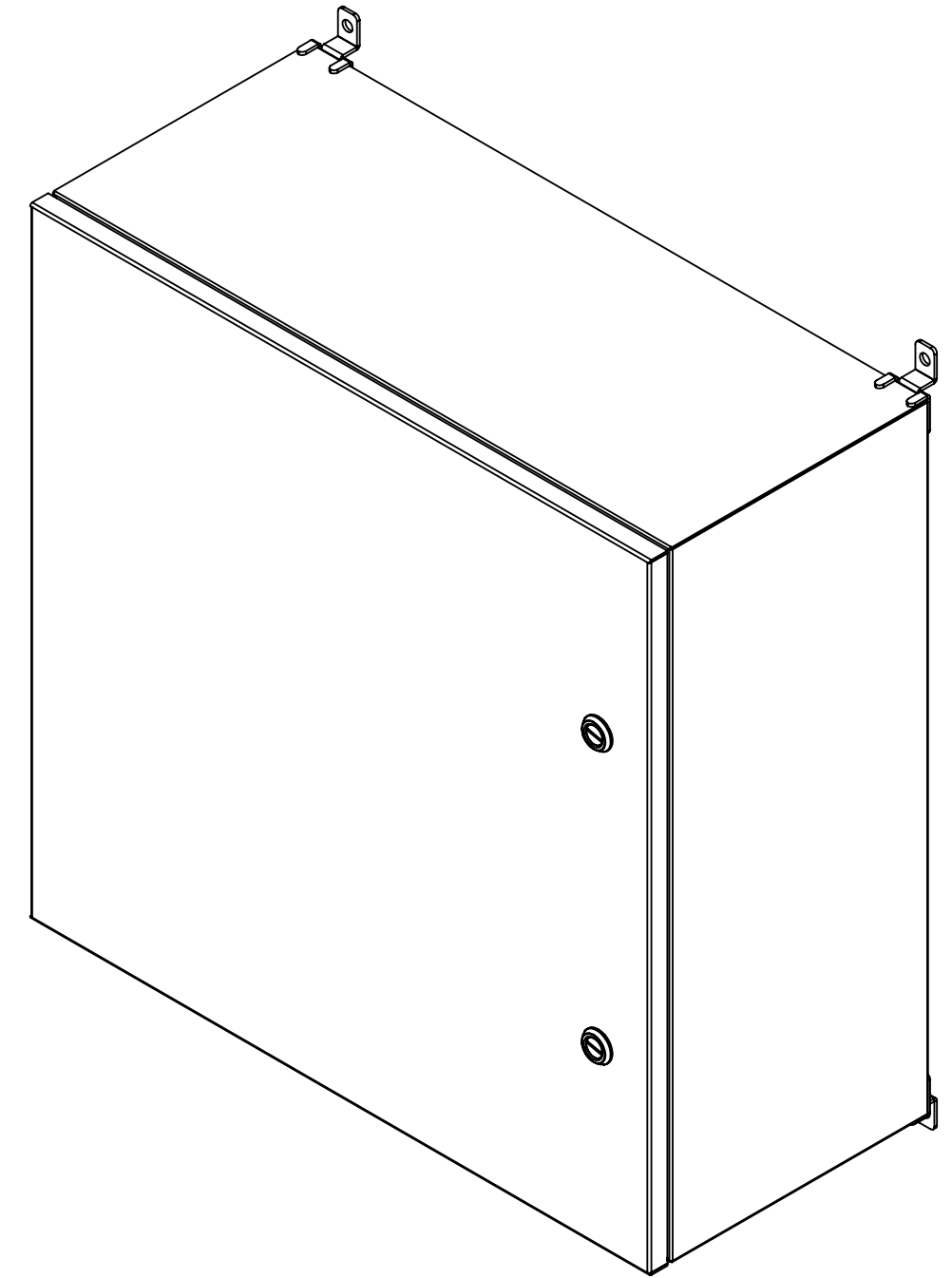
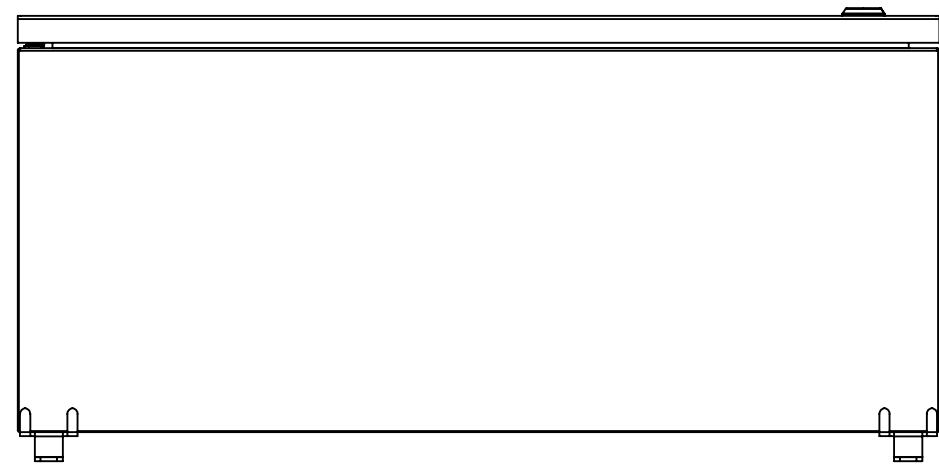
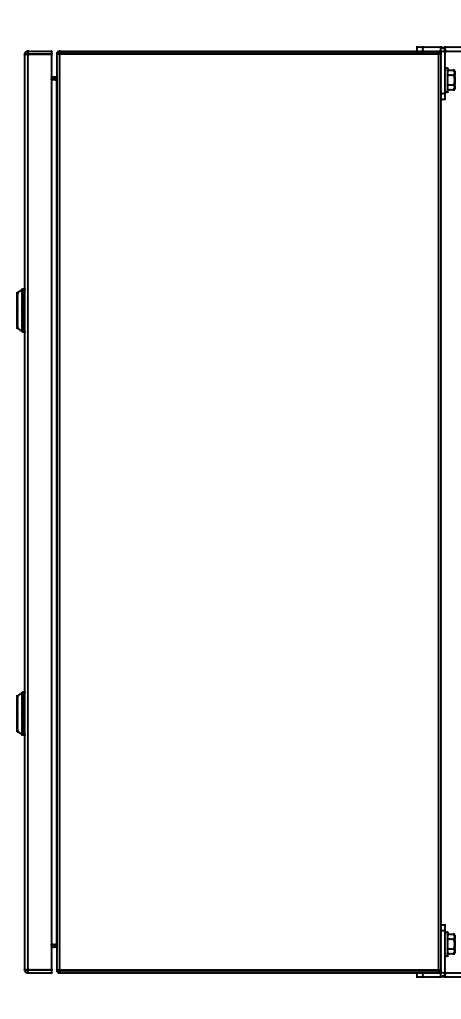
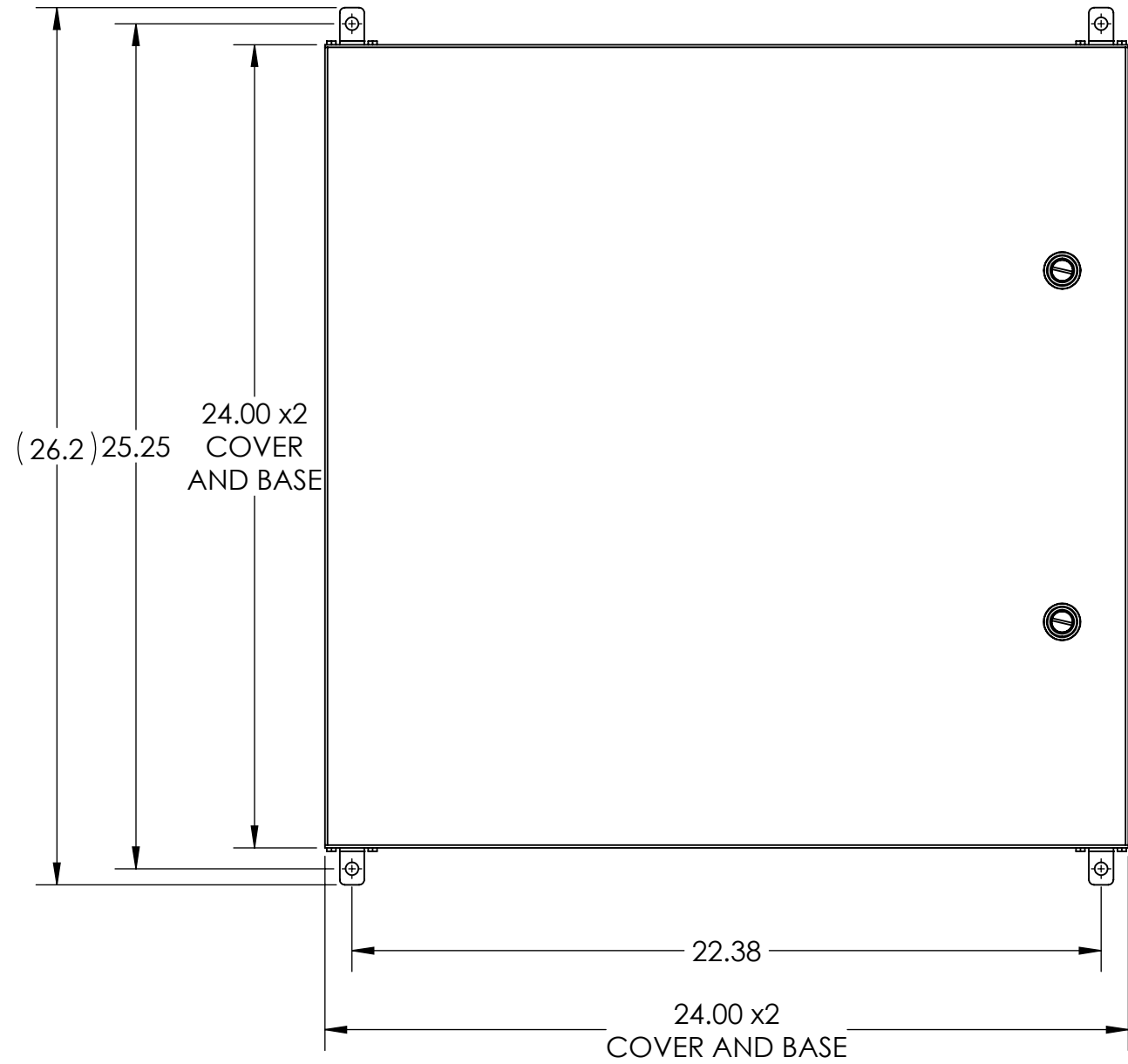
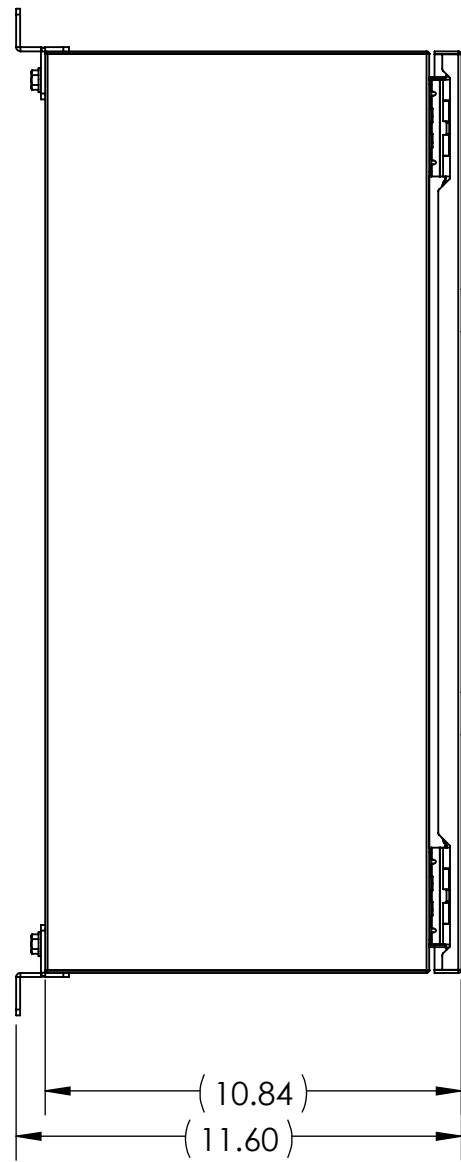
C

B

B

A

A



- NOTES:  
 1. BASE MATERIAL: 16 Ga. (.060") 304 SS  
 2. COVER MATERIAL: 14 Ga. (.075") 304 SS

**INTEGRA ENCLOSURES**  
 A DIVISION OF MUM INDUSTRIES  
 8989 TYLER BLVD. MENTOR, OH  
 ENCLOSURES (440)269-8155 FAX (440)269-8166

UNLESS OTHERWISE SPECIFIED: DIMENSIONS ARE IN INCHES (MM) AND ARE NOMINAL ONLY	DWG. NO. <b>W242410-4PQ-BT</b>	
	SIZE <b>C</b>	DESCRIPTION: WALL-24X24X10-304- PHN-QTL
PROPRIETARY AND CONFIDENTIAL THE INFORMATION CONTAINED IN THIS DRAWING IS THE SOLE PROPERTY OF MUM INDUSTRIES INC. ANY REPRODUCTION IN PART OR AS A WHOLE WITHOUT THE WRITTEN PERMISSION OF MUM INDUSTRIES INC. IS PROHIBITED.	REV <b>D</b>	SCALE: 1:5 WEIGHT: SHEET 1 OF 2
DRAWN BY: DLA 04.08.2021		

4

3

2

1

4

3

2

1

D

D

C

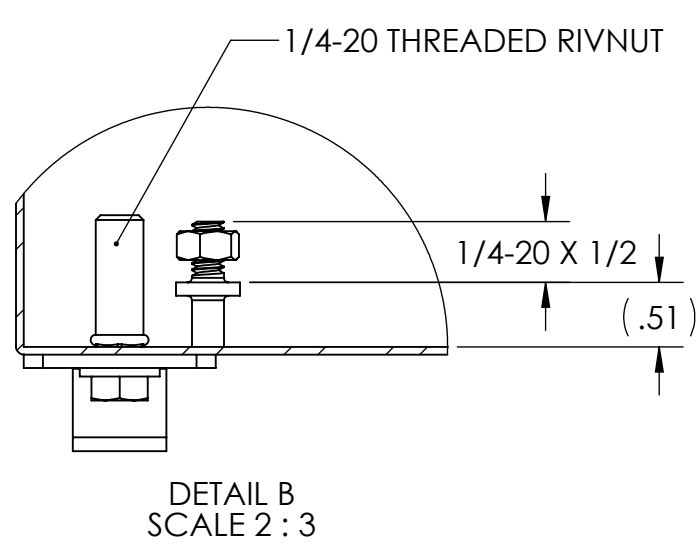
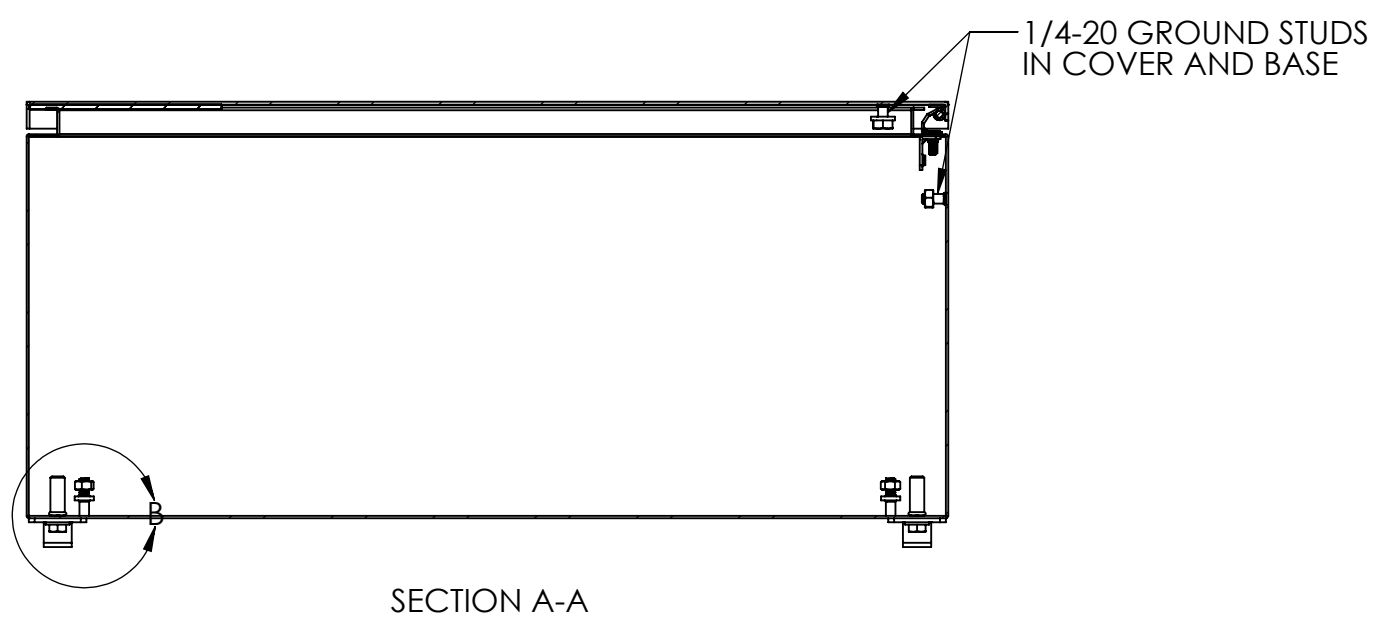
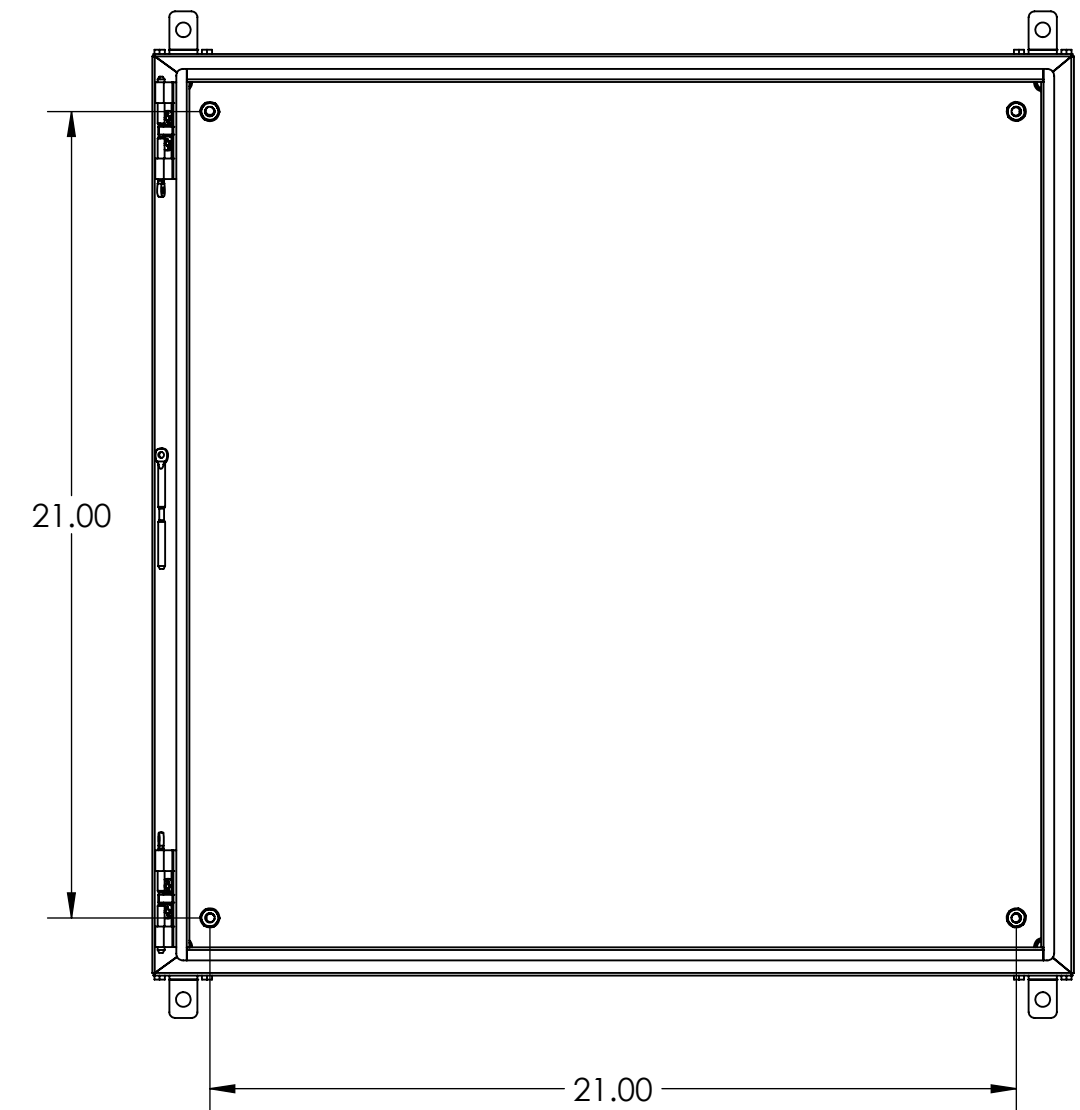
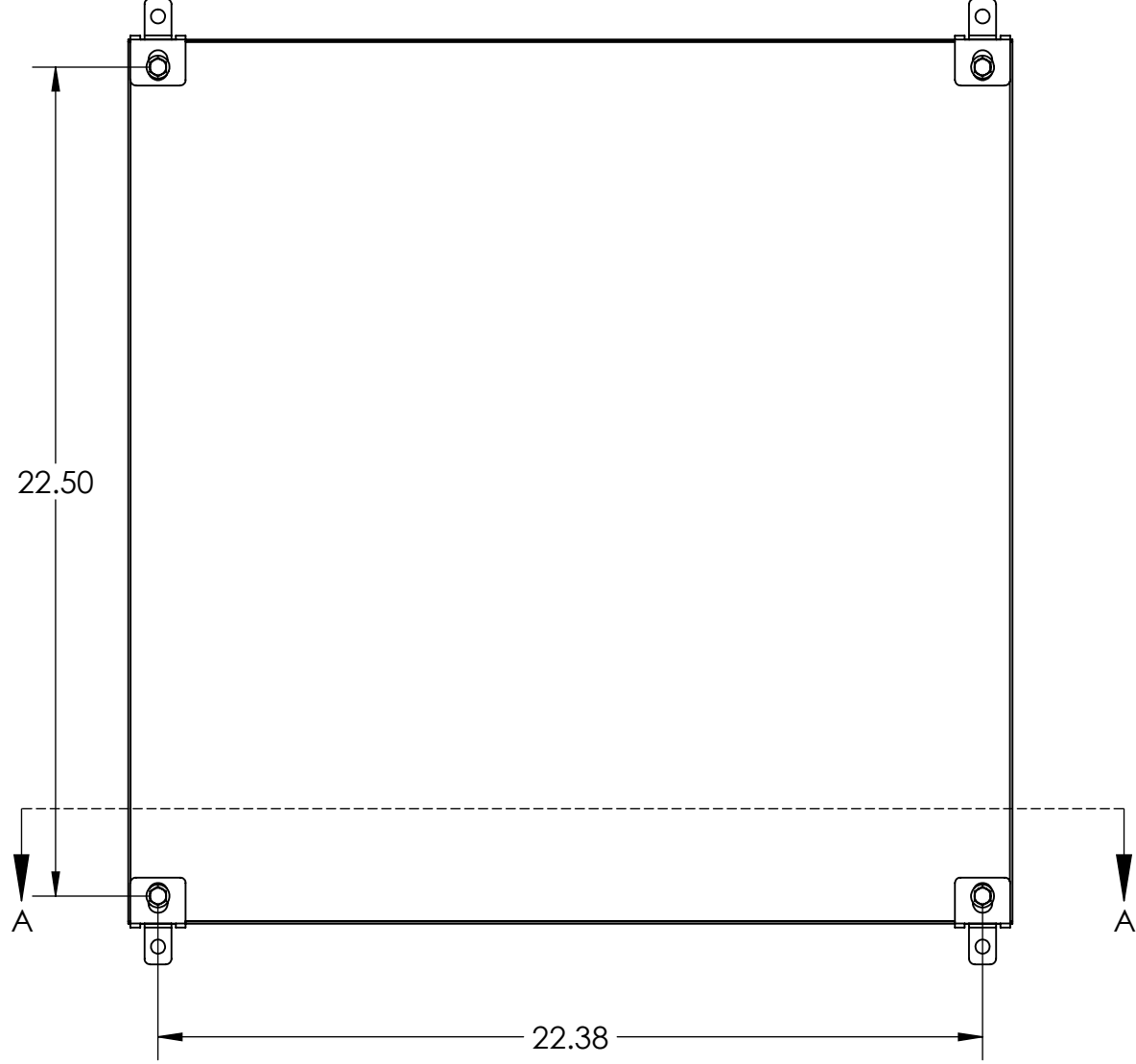
C

B

B

A

A



**INTEGRA ENCLOSURES**  
 A DIVISION OF MUM INDUSTRIES  
 8989 TYLER BLVD. MENTOR, OH  
 ENCLOSURES (440)269-8155 FAX (440)269-8166

UNLESS OTHERWISE SPECIFIED: DIMENSIONS ARE IN INCHES [MM] AND ARE NOMINAL ONLY		DWG. NO. <b>W242410-4PQ-BT</b>	
PROPRIETARY AND CONFIDENTIAL THE INFORMATION CONTAINED IN THIS DRAWING IS THE SOLE PROPERTY OF MUM INDUSTRIES INC. ANY REPRODUCTION IN PART OR AS A WHOLE WITHOUT THE WRITTEN PERMISSION OF MUM INDUSTRIES INC. IS PROHIBITED.		SIZE <b>C</b>	DESCRIPTION: WALL-24X24X10-304- PHN-QTL
DRAWN BY: DLA	04.08.2021	SCALE: 1:5	WEIGHT: SHEET 2 OF 2

4

3

2

1