

4

3

2

1

D

D

C

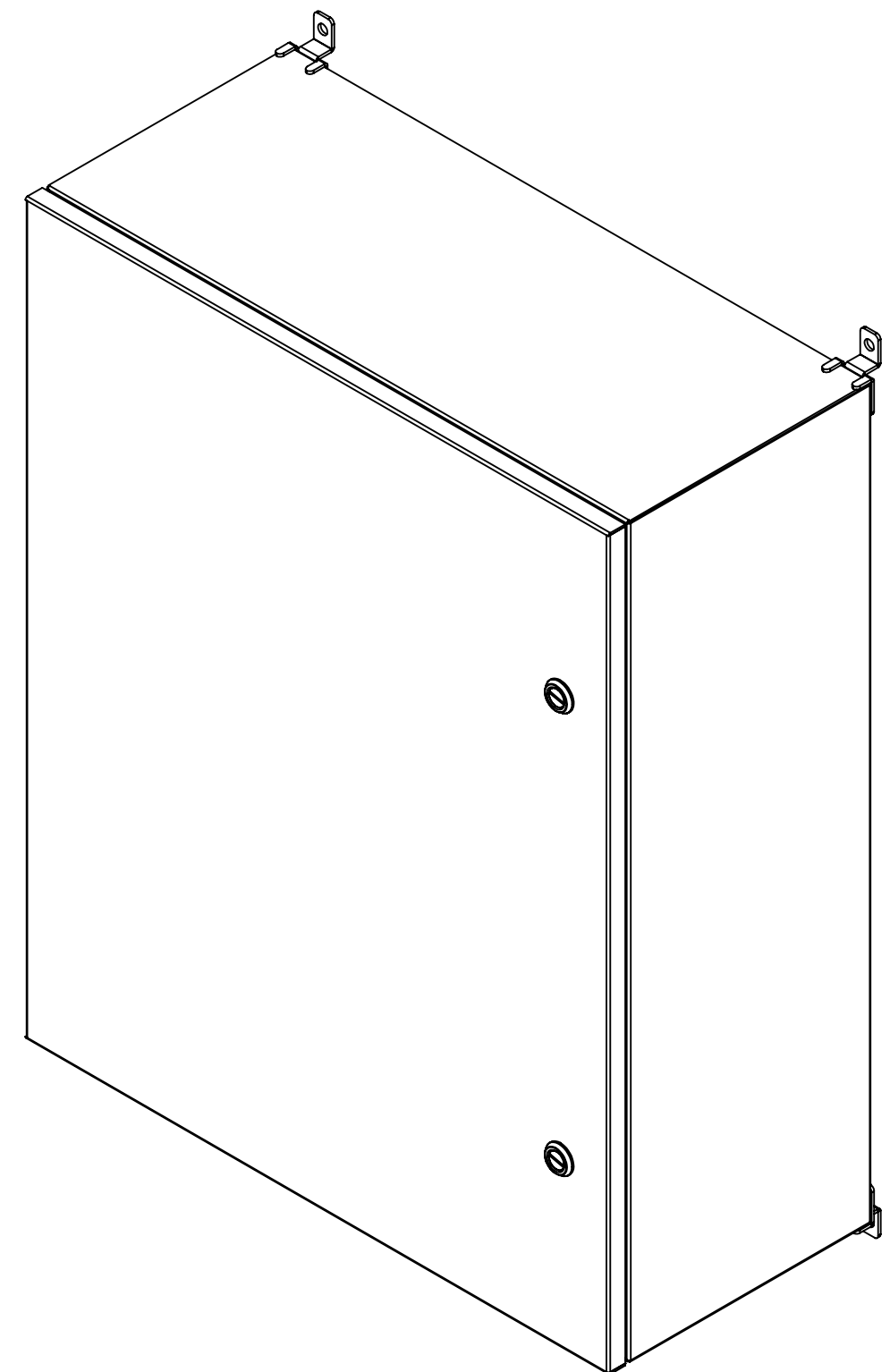
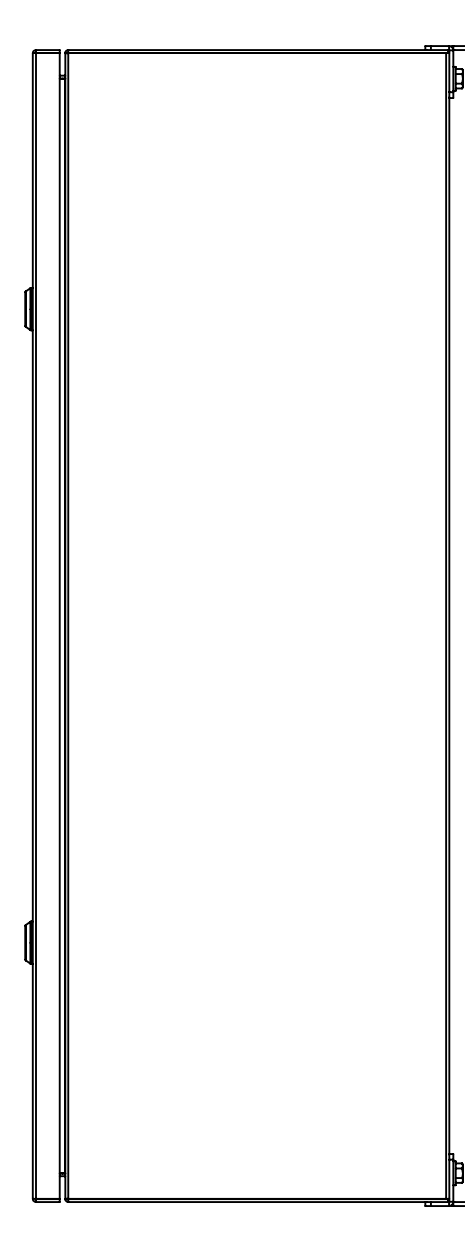
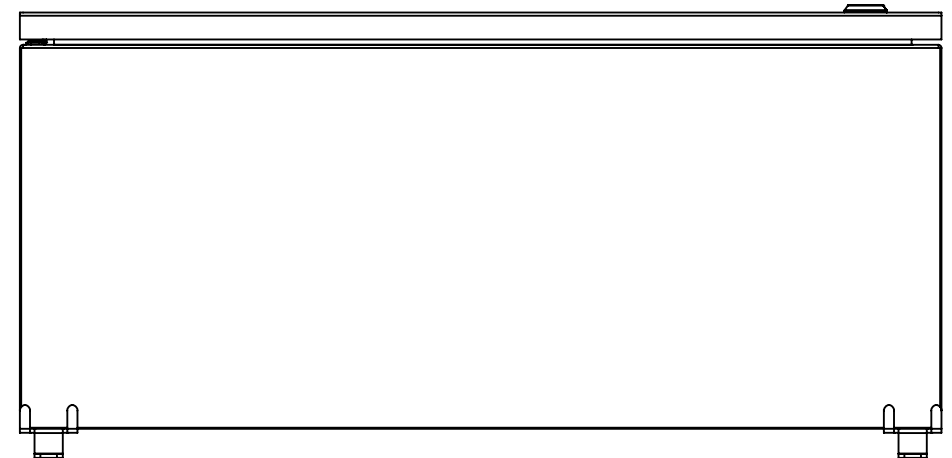
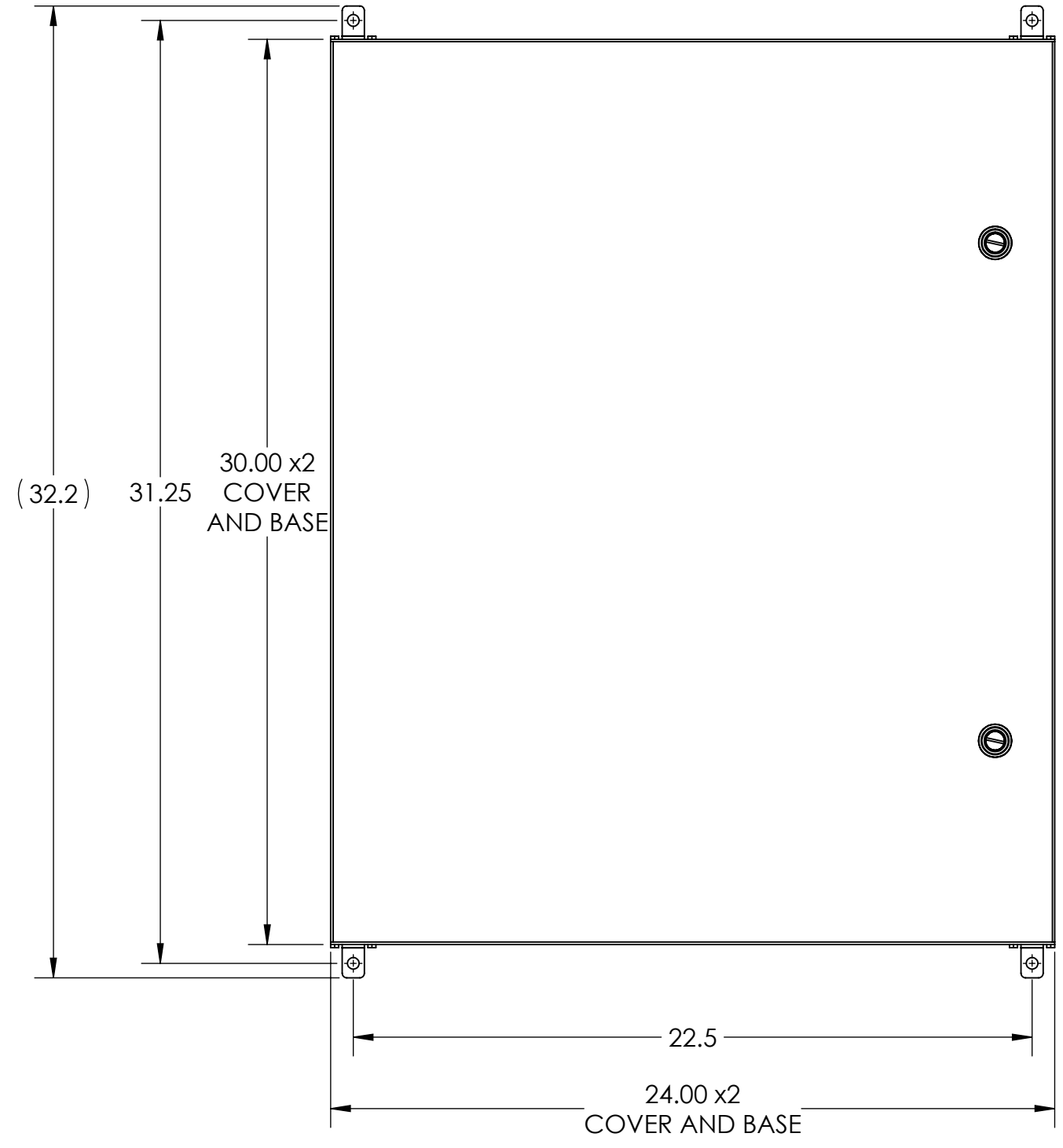
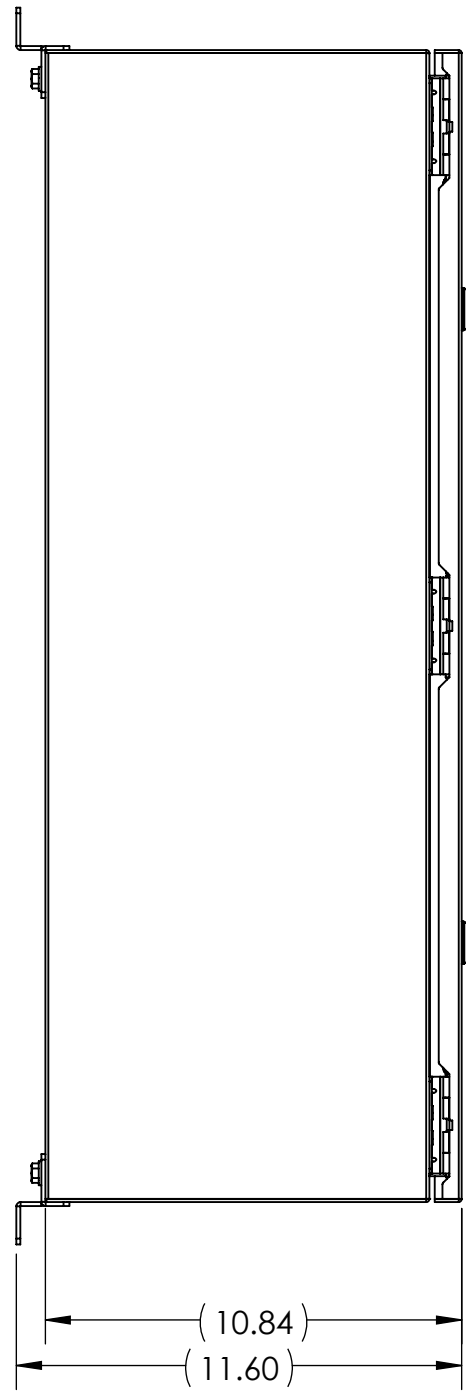
C

B

B

A

A



- NOTES:
 1. BASE MATERIAL: 14 Ga. (.075") 304 SS
 2. COVER MATERIAL: 14 Ga. (.075") 304 SS

INTEGRA ENCLOSURES
 A DIVISION OF MUM INDUSTRIES
 8989 TYLER BLVD. MENTOR, OH
 ENCLOSURES (440)269-8155 FAX (440)269-8166

UNLESS OTHERWISE SPECIFIED: DIMENSIONS ARE IN INCHES [MM] AND ARE NOMINAL ONLY	DWG. NO. W302410-4PQ-BT	
	SIZE C	DESCRIPTION: WALL-30X24X10-304- PHN-QTL
PROPRIETARY AND CONFIDENTIAL THE INFORMATION CONTAINED IN THIS DRAWING IS THE SOLE PROPERTY OF MUM INDUSTRIES INC. ANY REPRODUCTION IN PART OR AS A WHOLE WITHOUT THE WRITTEN PERMISSION OF MUM INDUSTRIES INC. IS PROHIBITED.	REV C	SCALE: 1:5 WEIGHT: SHEET 1 OF 2
DRAWN BY: ZNT 04.07.2021		

4

3

2

1

4

3

2

1

D

D

C

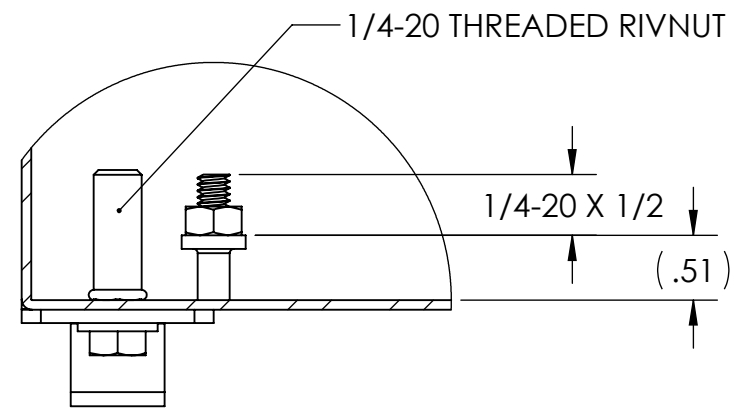
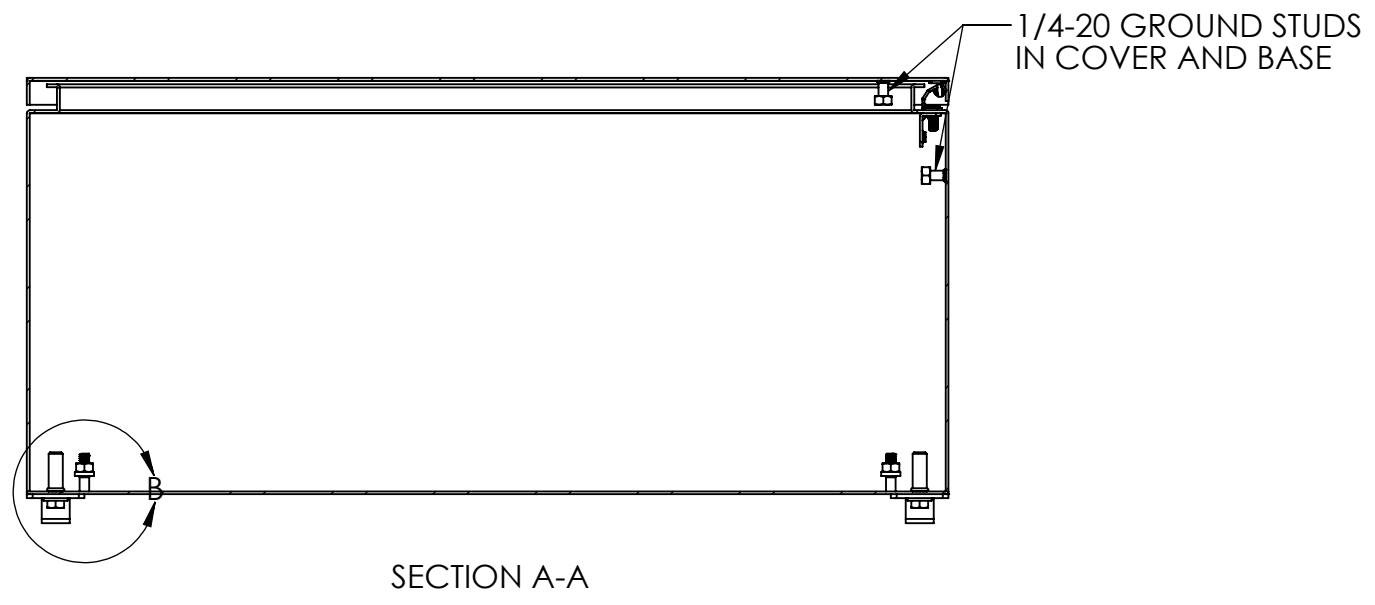
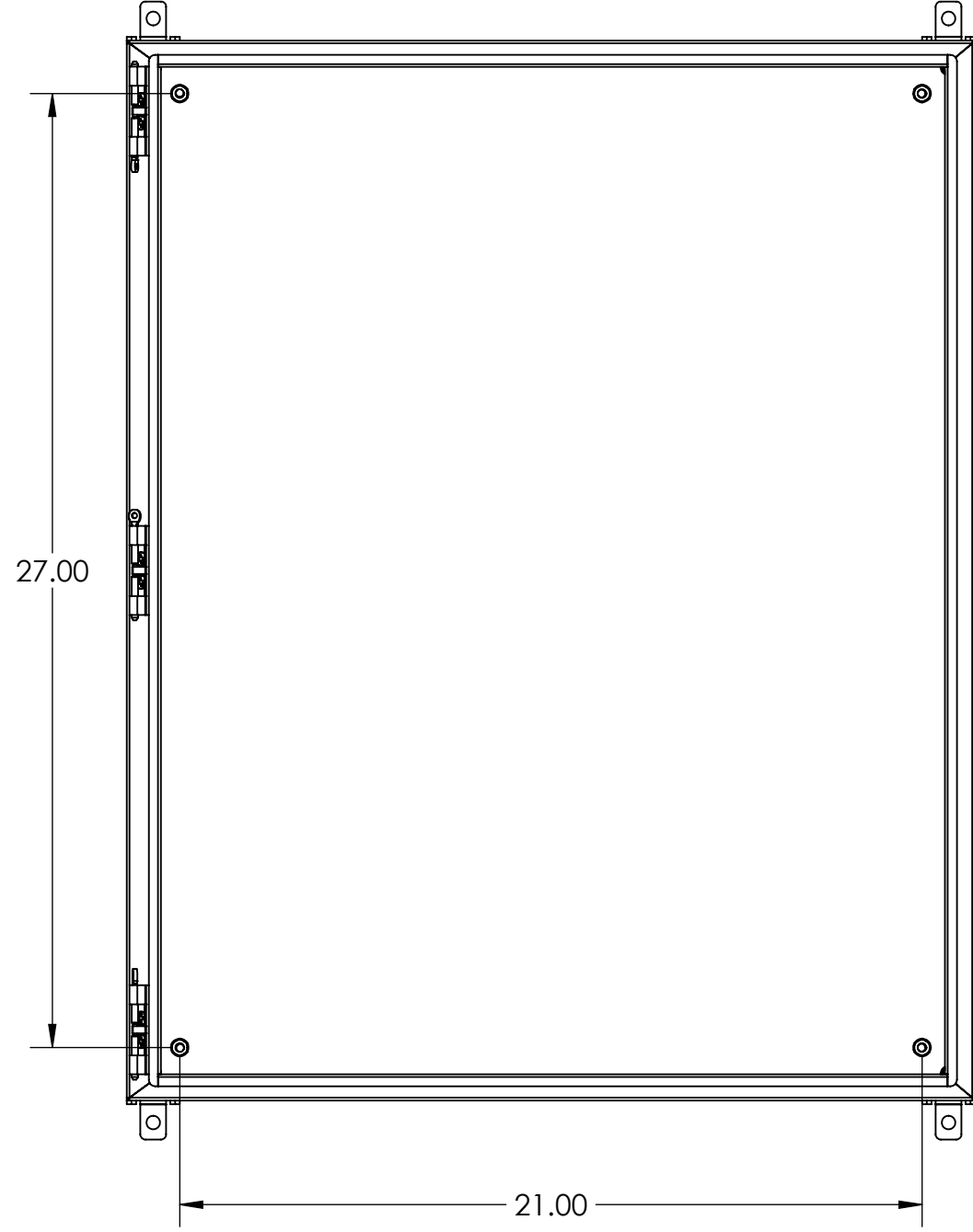
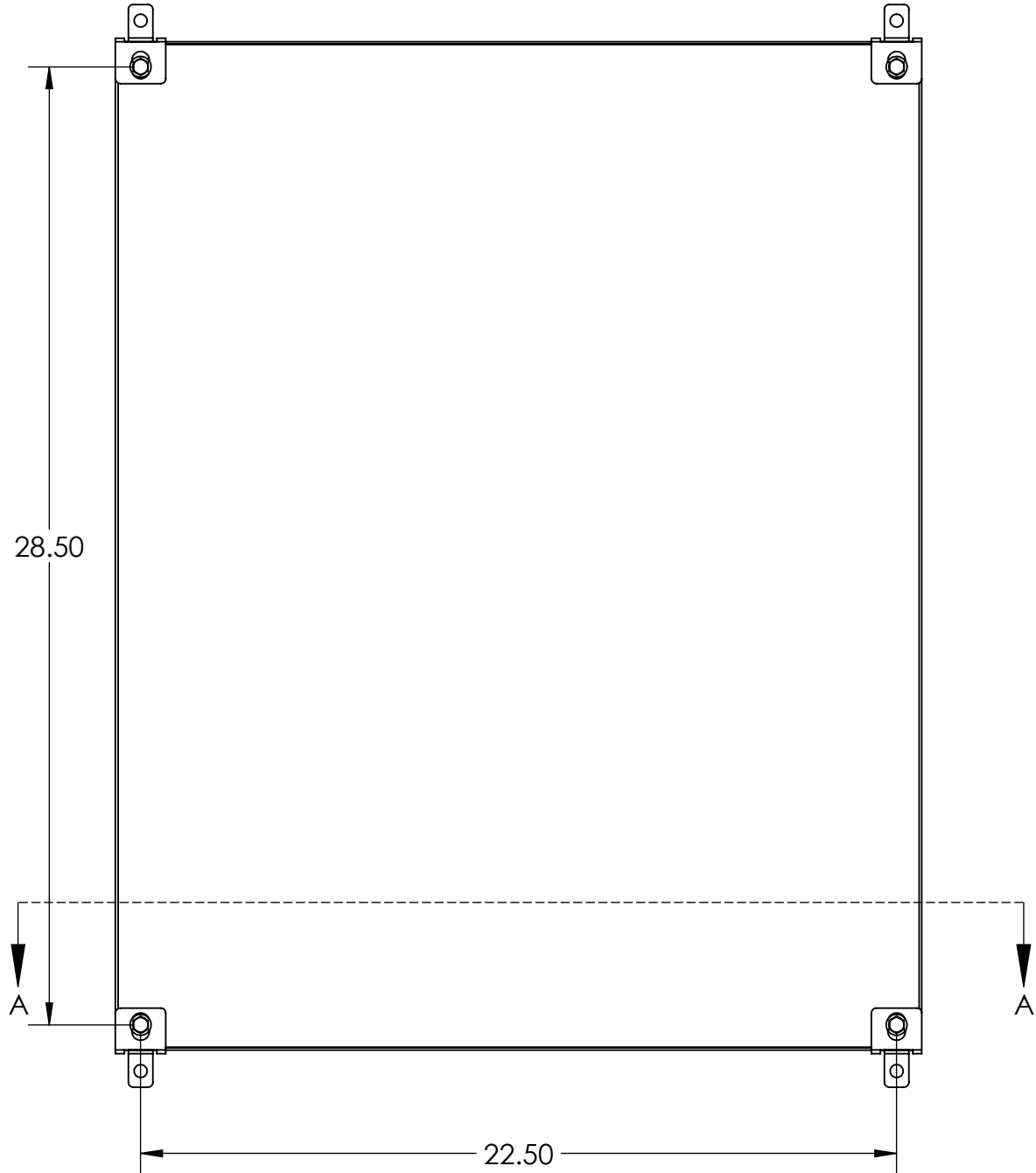
C

B

B

A

A



DETAIL B SCALE 2 : 3

INTEGRA ENCLOSURES
 A DIVISION OF MUM INDUSTRIES
 8989 TYLER BLVD. MENTOR, OH
 ENCLOSURES (440)269-8155 FAX (440)269-8166

UNLESS OTHERWISE SPECIFIED:
 DIMENSIONS ARE IN INCHES [MM]
 AND ARE NOMINAL ONLY

PROPRIETARY AND CONFIDENTIAL
 THE INFORMATION CONTAINED IN THIS
 DRAWING IS THE SOLE PROPERTY OF
 MUM INDUSTRIES INC. ANY
 REPRODUCTION IN PART OR AS A WHOLE
 WITHOUT THE WRITTEN PERMISSION OF
 MUM INDUSTRIES INC. IS PROHIBITED.

DWG. NO.
W302410-4PQ-BT

SIZE C	DESCRIPTION: WALL-30X24X10-304- PHN-QTL	REV C
------------------	---	-----------------

DRAWN BY: ZNT 04.07.2021

SCALE: 1:5 WEIGHT: SHEET 2 OF 2

4

3

2

1