

4

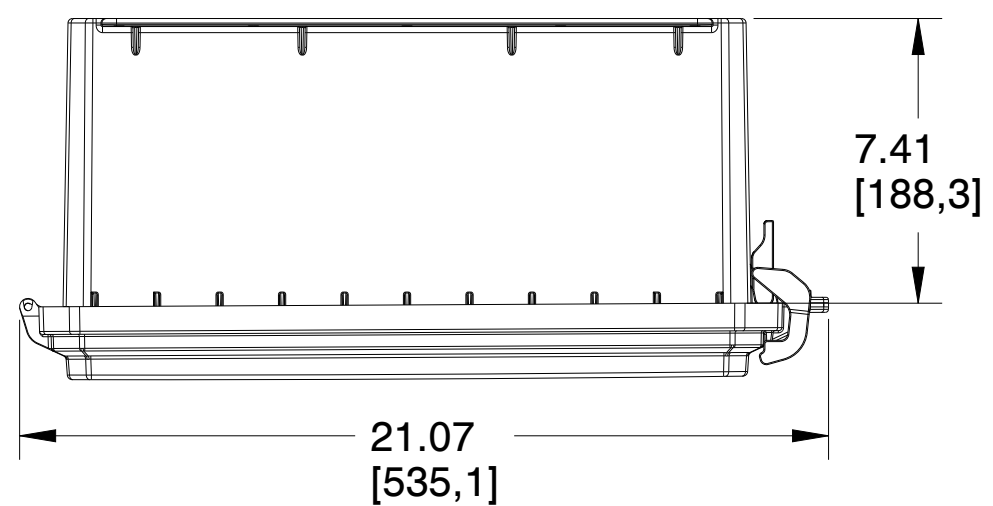
3

2

1

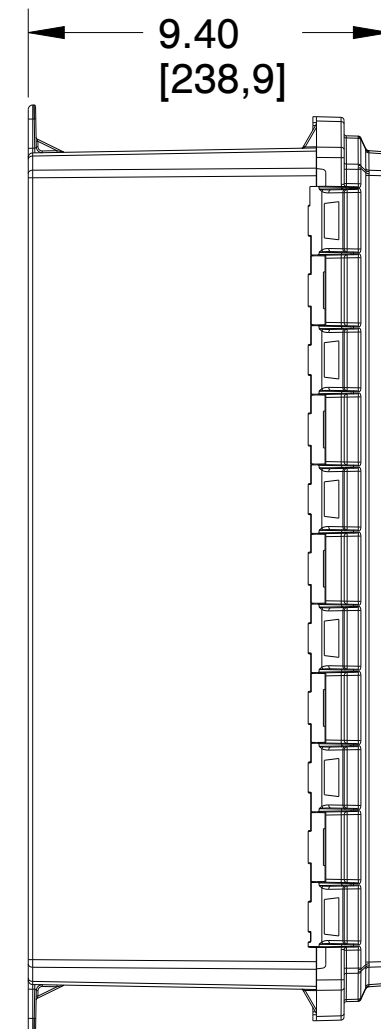
D

D



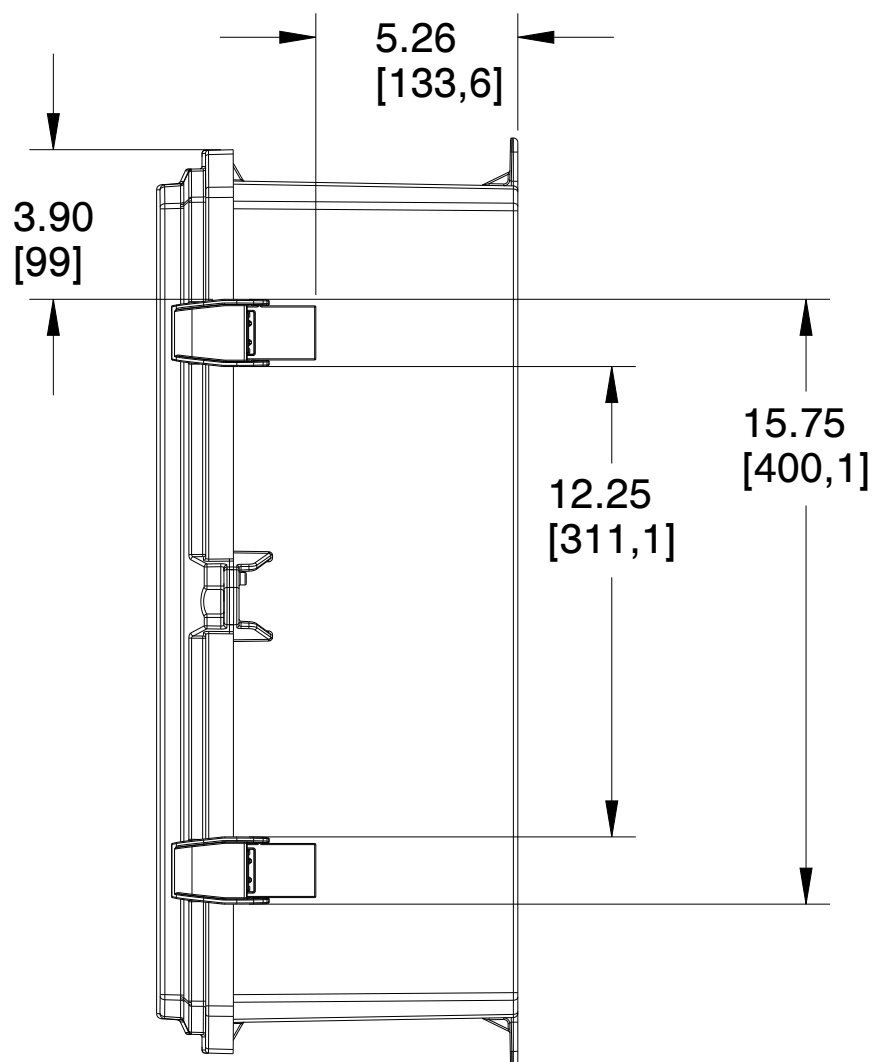
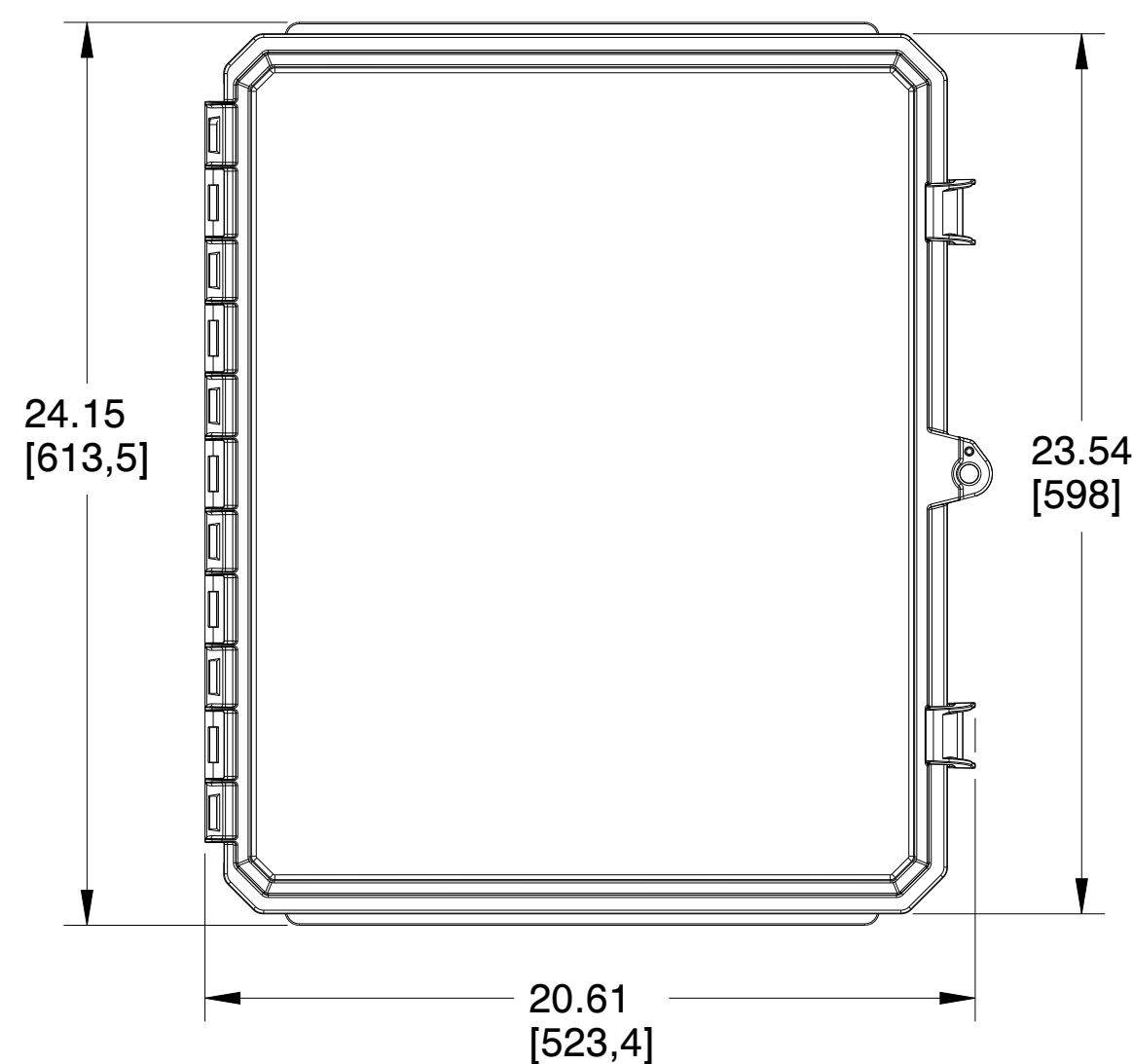
C

C



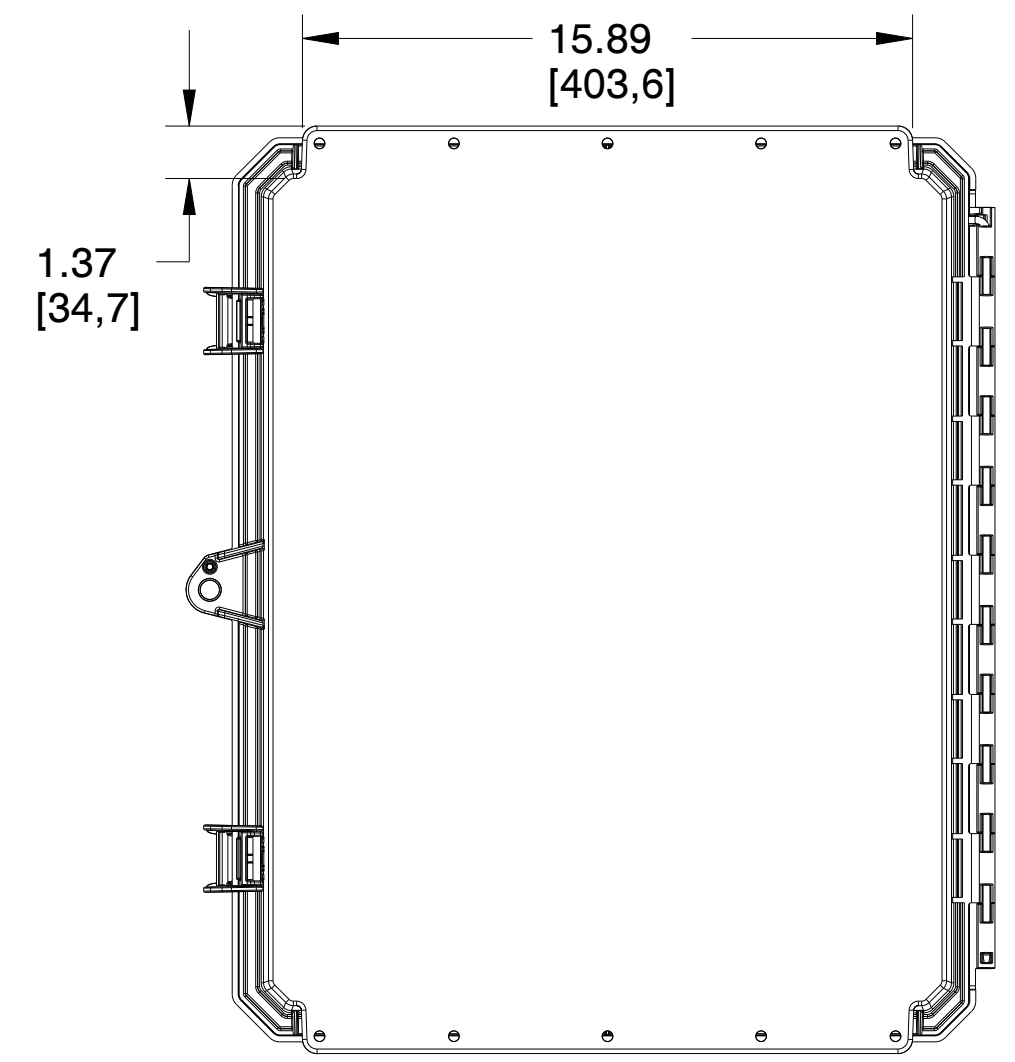
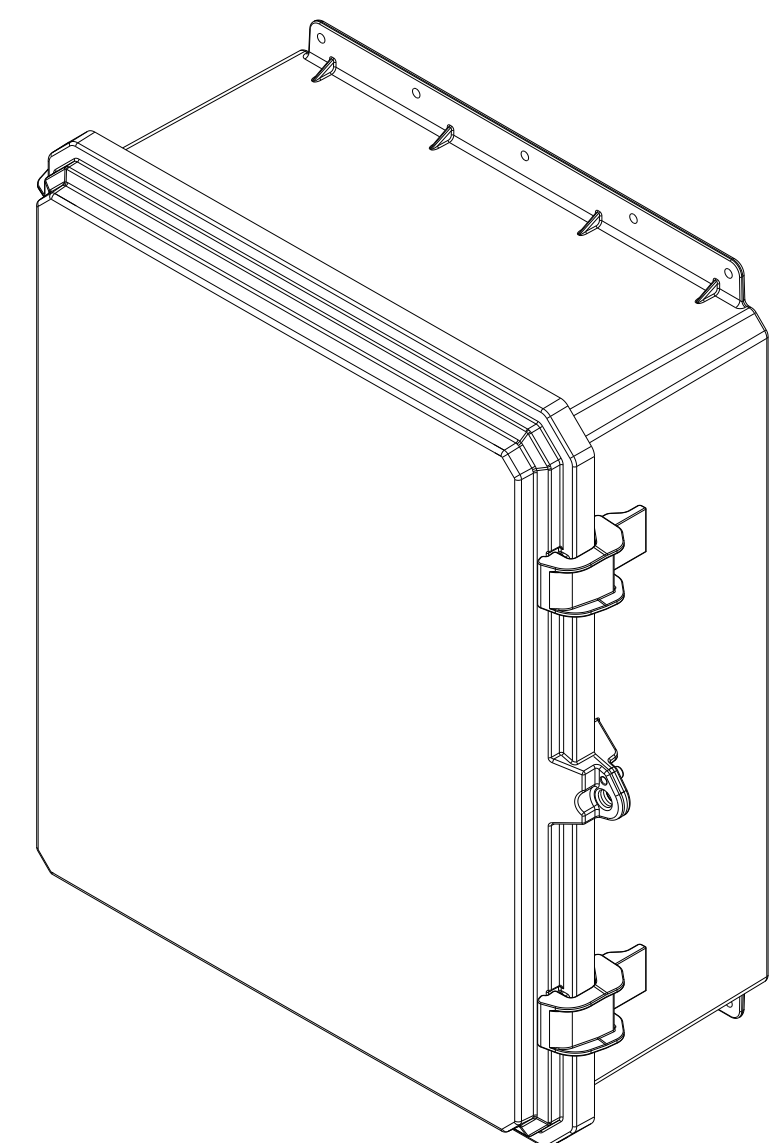
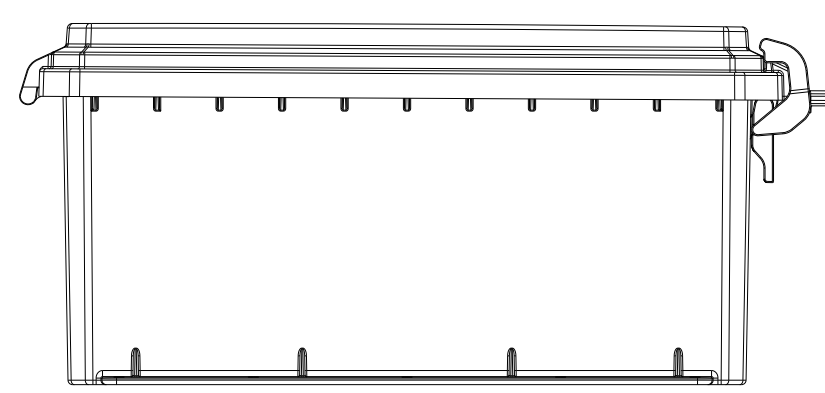
B

B



A

A



		MUM INDUSTRIES 8989 TYLER BLVD MENTOR, OHIO, U.S.A. (440) 269-8155 FAX (440) 269-8166	
SCALE	SHEET	DRAWN BY	
0.200	1 of 2	T.PAUL	
TITLE			
GENESIS 20X16X08			
DATE	DRAWING NUMBER	REV	
07.19.2021	G201608	A	

UNLESS OTHERWISE SPECIFIED:  
DIMENSIONS ARE IN INCHES (mm)  
AND ARE NOMINAL ONLY

PROPRIETARY AND CONFIDENTIAL:  
THE INFORMATION CONTAINED IN THIS  
DRAWING IS THE SOLE PROPERTY OF  
INTEGRA ENCLOSURES. ANY  
REPRODUCTION IN PART OR AS A  
WHOLE WITHOUT THE WRITTEN  
PERMISSION OF INTEGRA  
ENCLOSURES IS PROHIBITED.

4

3

2

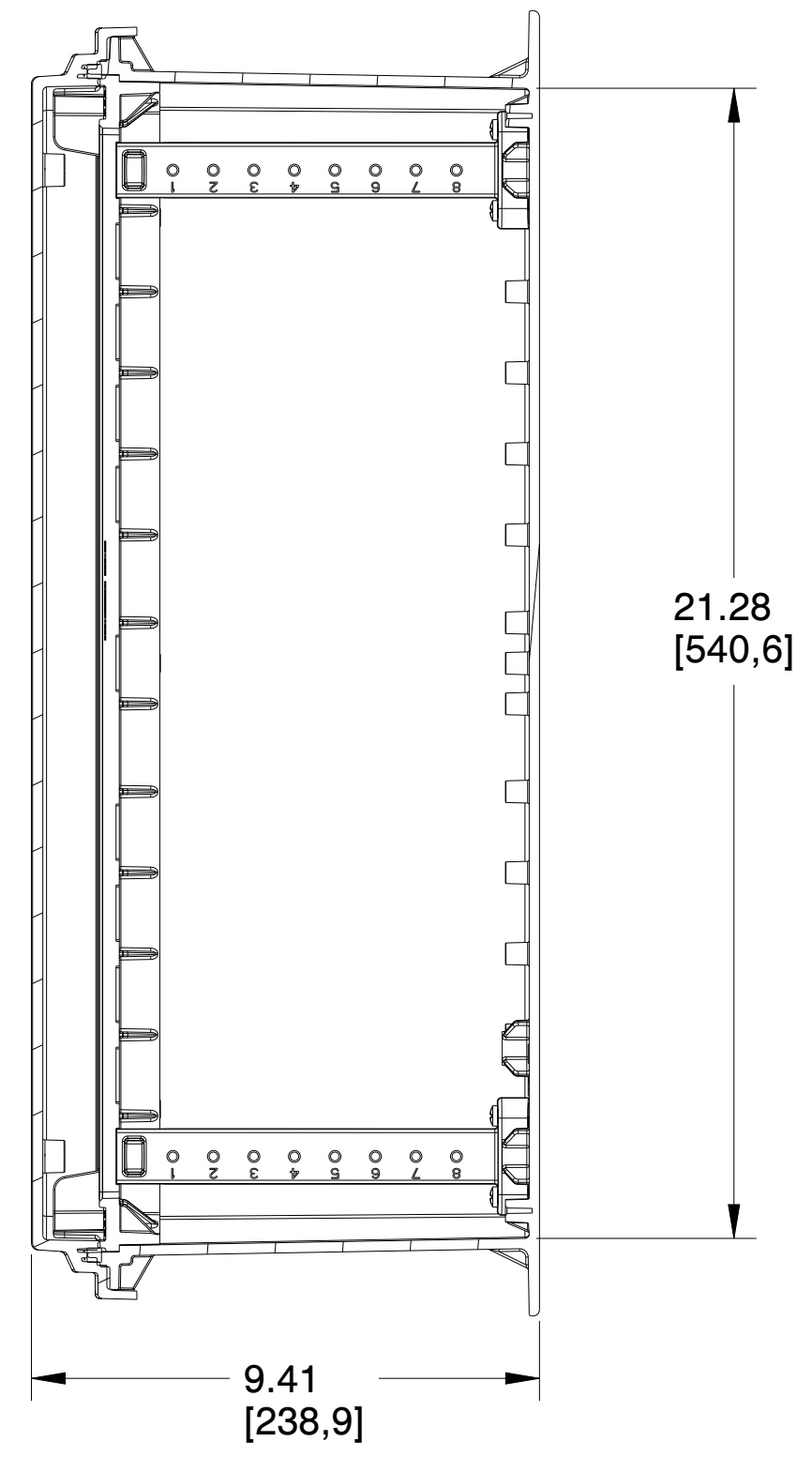
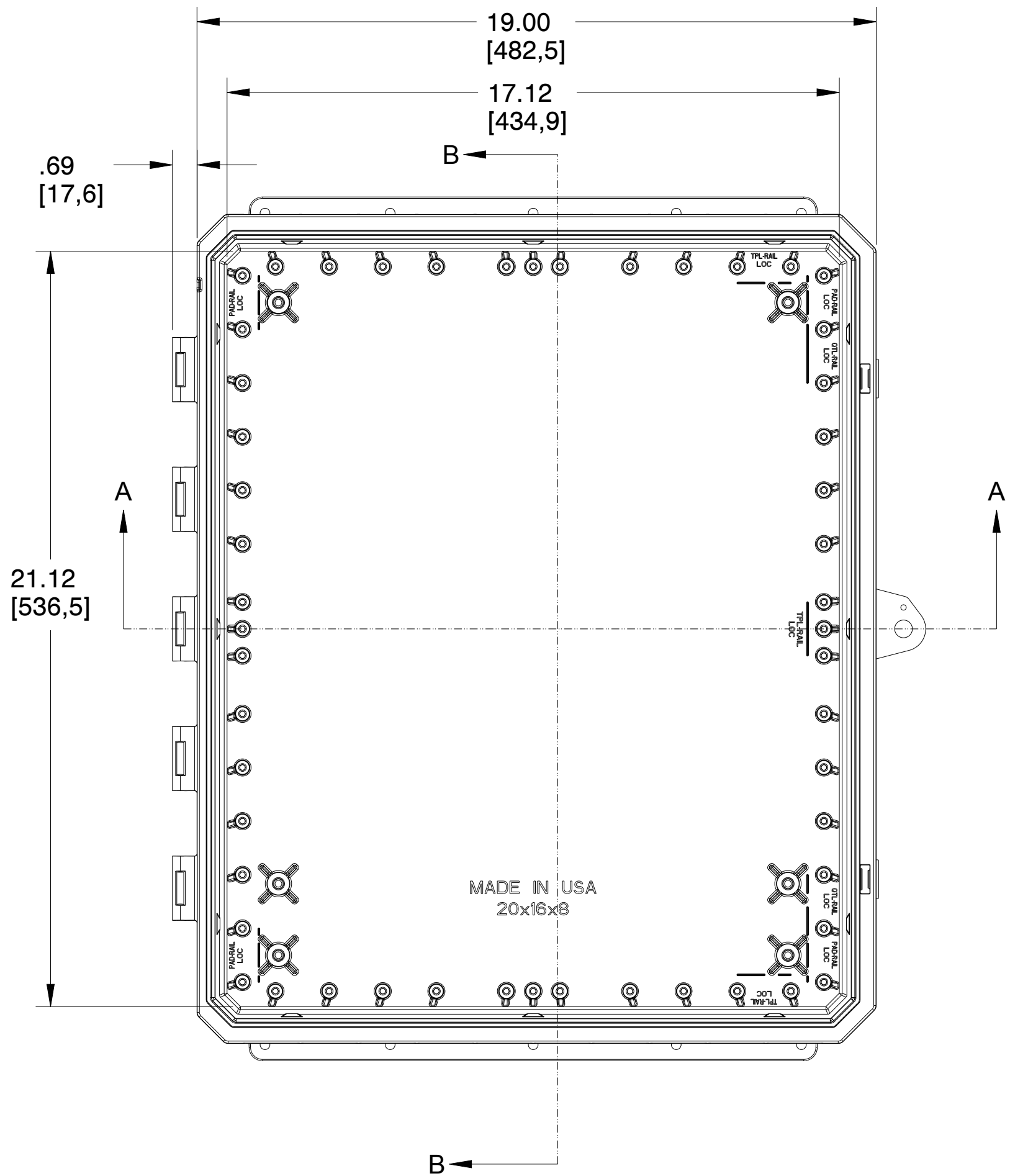
1

4

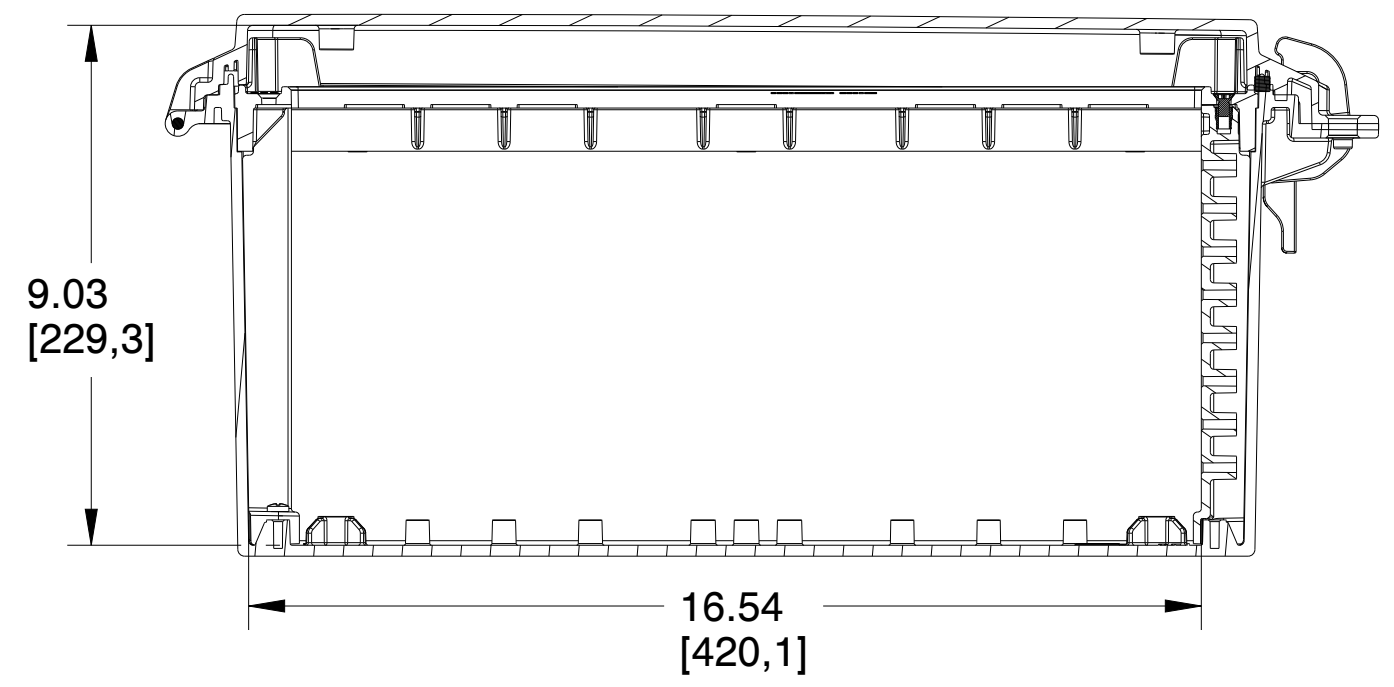
3

2

1



SECTION B-B



SECTION A-A

		MUM INDUSTRIES 8989 TYLER BLVD MENTOR, OHIO, U.S.A. (440) 269-8155 FAX (440) 269-8166	
SCALE	SHEET	DRAWN BY	
0.300	2 of 2	T.PAUL	
TITLE			
GENESIS 20X16X08			
DATE	DRAWING NUMBER	REV	
07.19.2021	G201608	A	

UNLESS OTHERWISE SPECIFIED:  
DIMENSIONS ARE IN INCHES (mm)  
AND ARE NOMINAL ONLY

PROPRIETARY AND CONFIDENTIAL:  
THE INFORMATION CONTAINED IN THIS  
DRAWING IS THE SOLE PROPERTY OF  
INTEGRA ENCLOSURES. ANY  
REPRODUCTION IN PART OR AS A  
WHOLE WITHOUT THE WRITTEN  
PERMISSION OF INTEGRA  
ENCLOSURES IS PROHIBITED.

4

3

2

1