

4

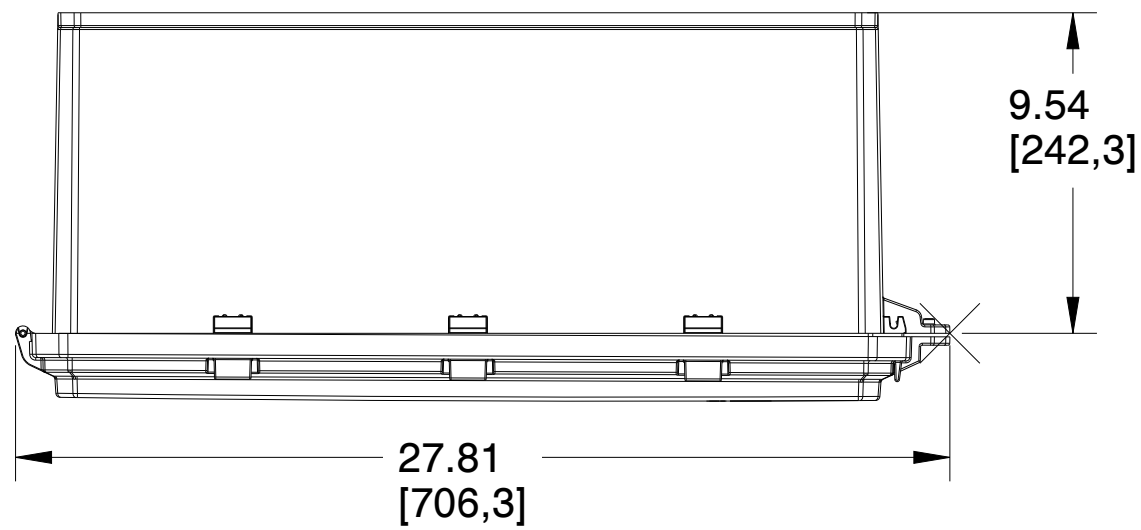
3

2

1

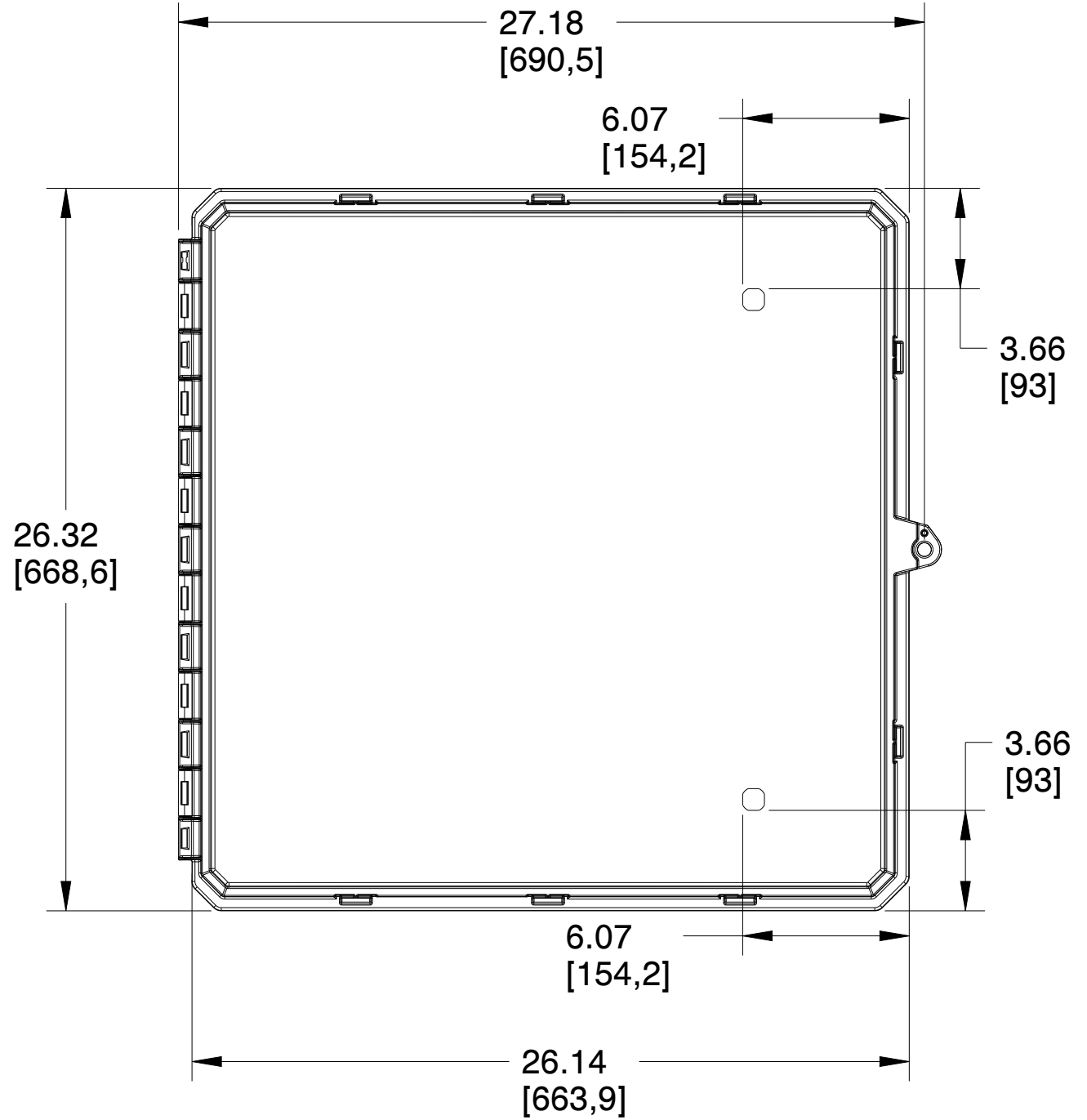
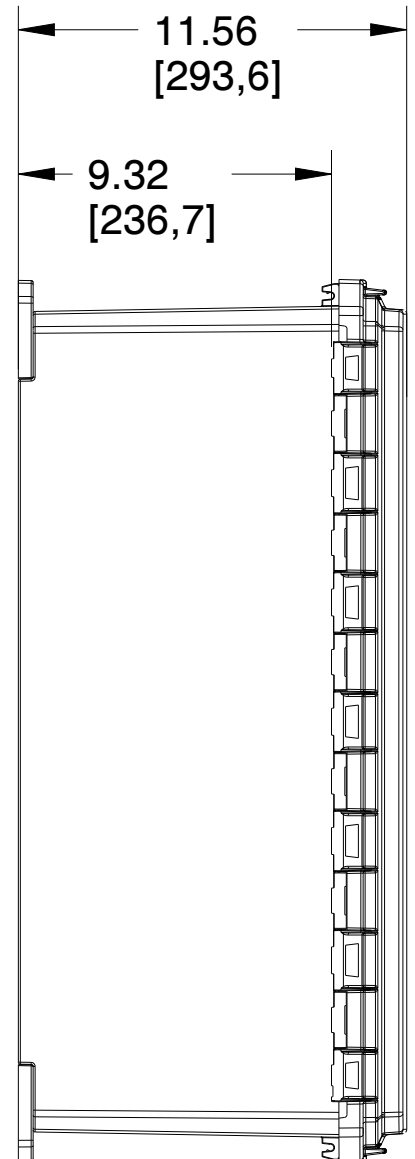
D

D



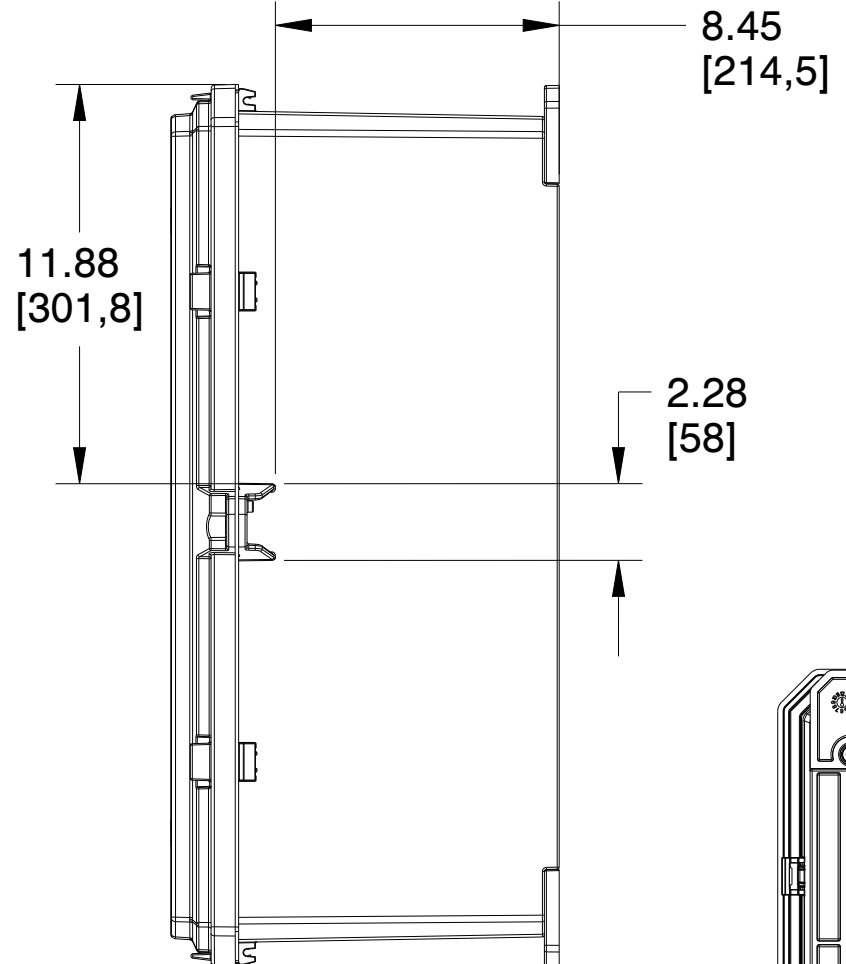
C

C



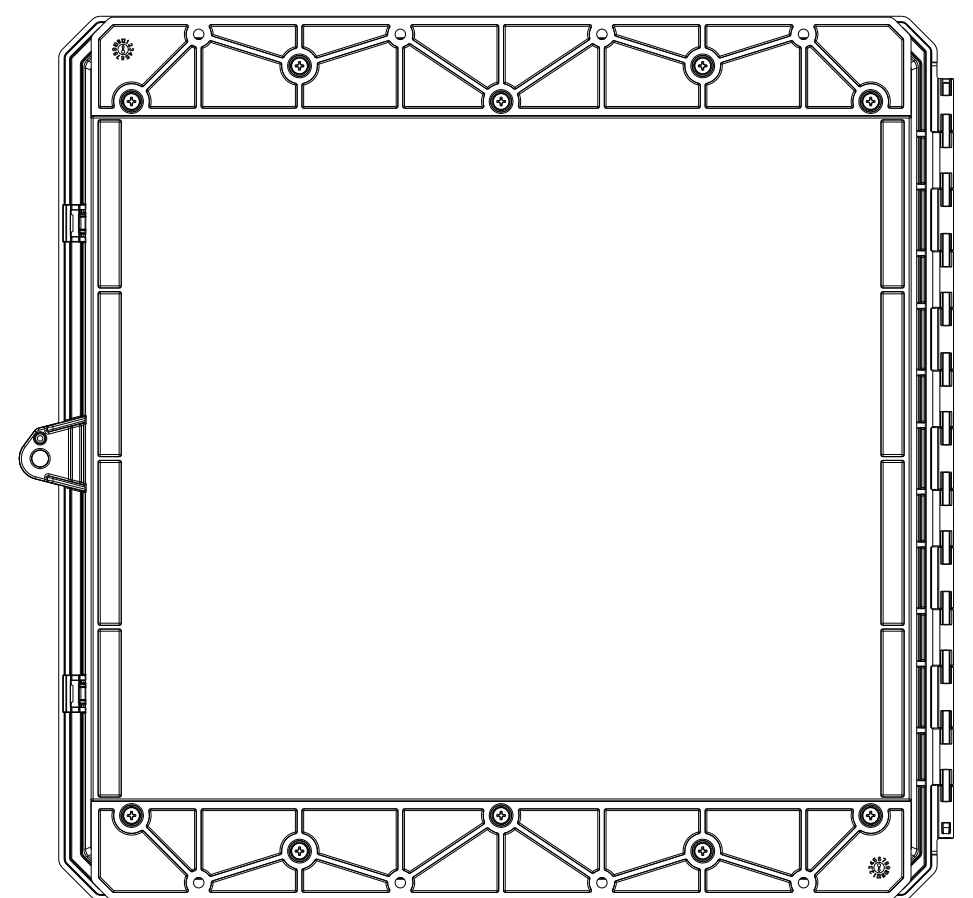
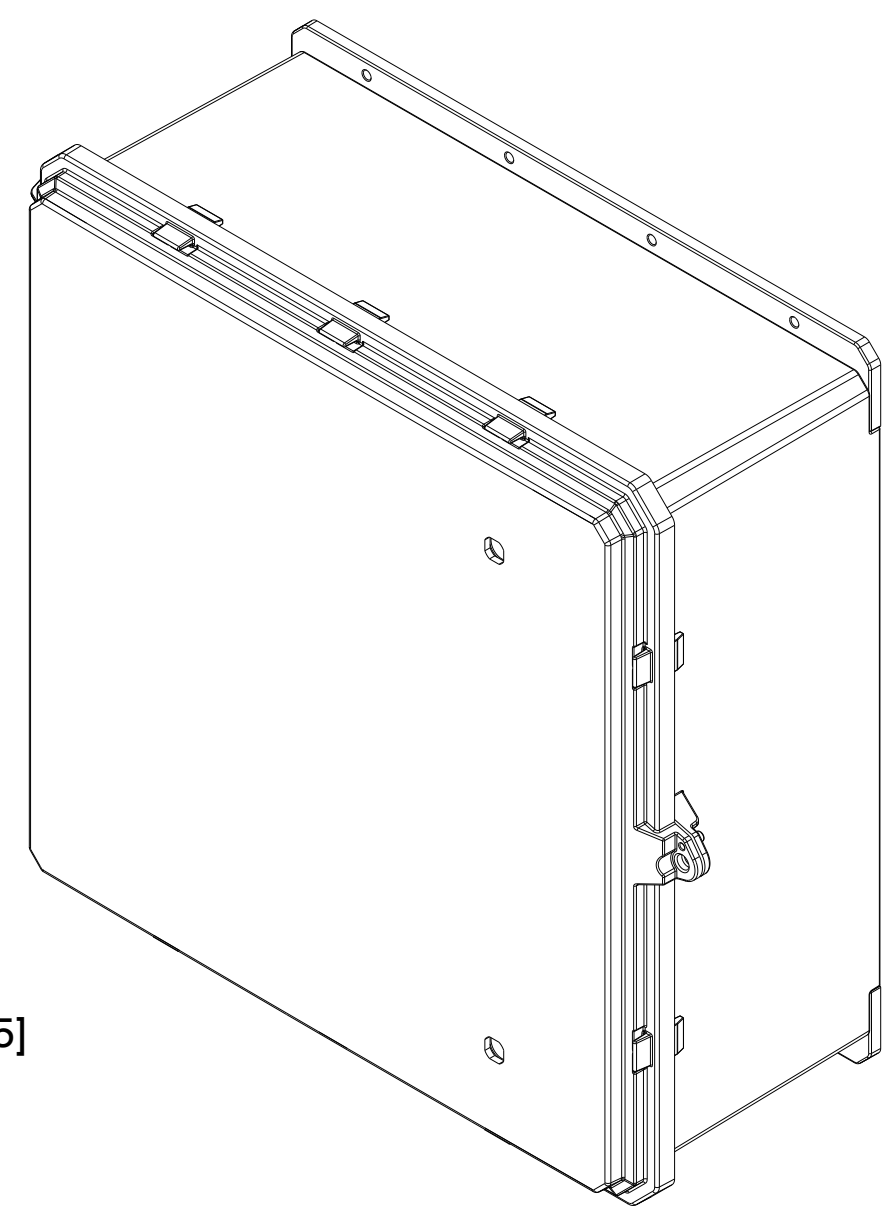
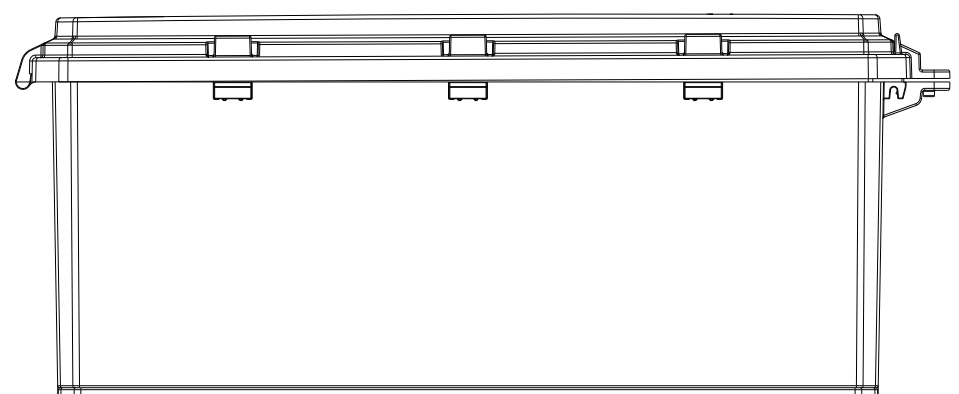
B

B



A

A



		MUM INDUSTRIES 8989 TYLER BLVD MENTOR, OHIO, U.S.A. (440) 269-8155 FAX (440) 269-8166	
SCALE	SHEET	DRAWN BY	
0.175	1 of 2	T.PAUL	
TITLE			
GEN-24X24X10-QUARTER-TURN-LATCH			
DATE	DRAWING NUMBER	REV	
08.03.2021	G242410QTL	A	

UNLESS OTHERWISE SPECIFIED:
DIMENSIONS ARE IN INCHES (mm)
AND ARE NOMINAL ONLY

PROPRIETARY AND CONFIDENTIAL:
THE INFORMATION CONTAINED IN THIS
DRAWING IS THE SOLE PROPERTY OF
INTEGRA ENCLOSURES. ANY
REPRODUCTION IN PART OR AS A
WHOLE WITHOUT THE WRITTEN
PERMISSION OF INTEGRA
ENCLOSURES IS PROHIBITED.

4

3

2

1

4

3

2

1

D

D

C

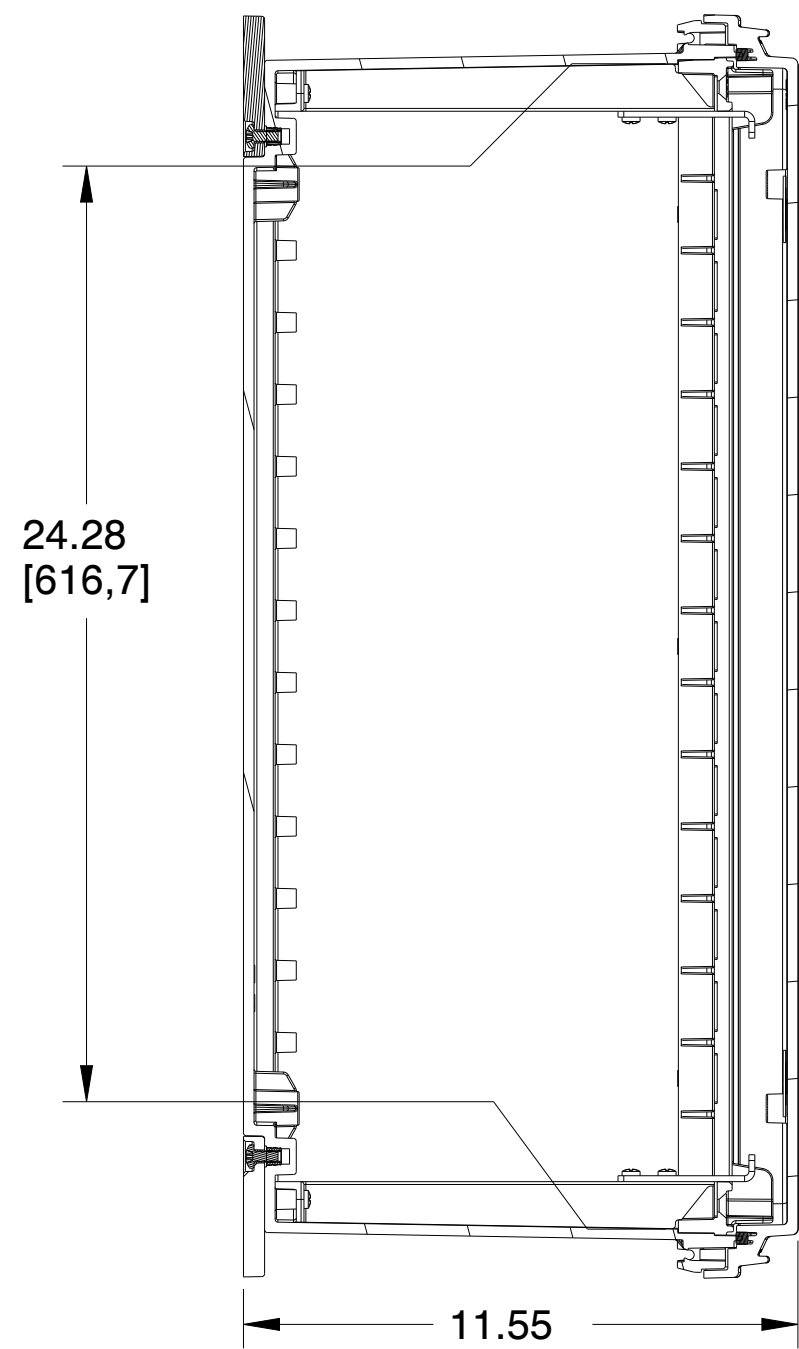
C

B

B

A

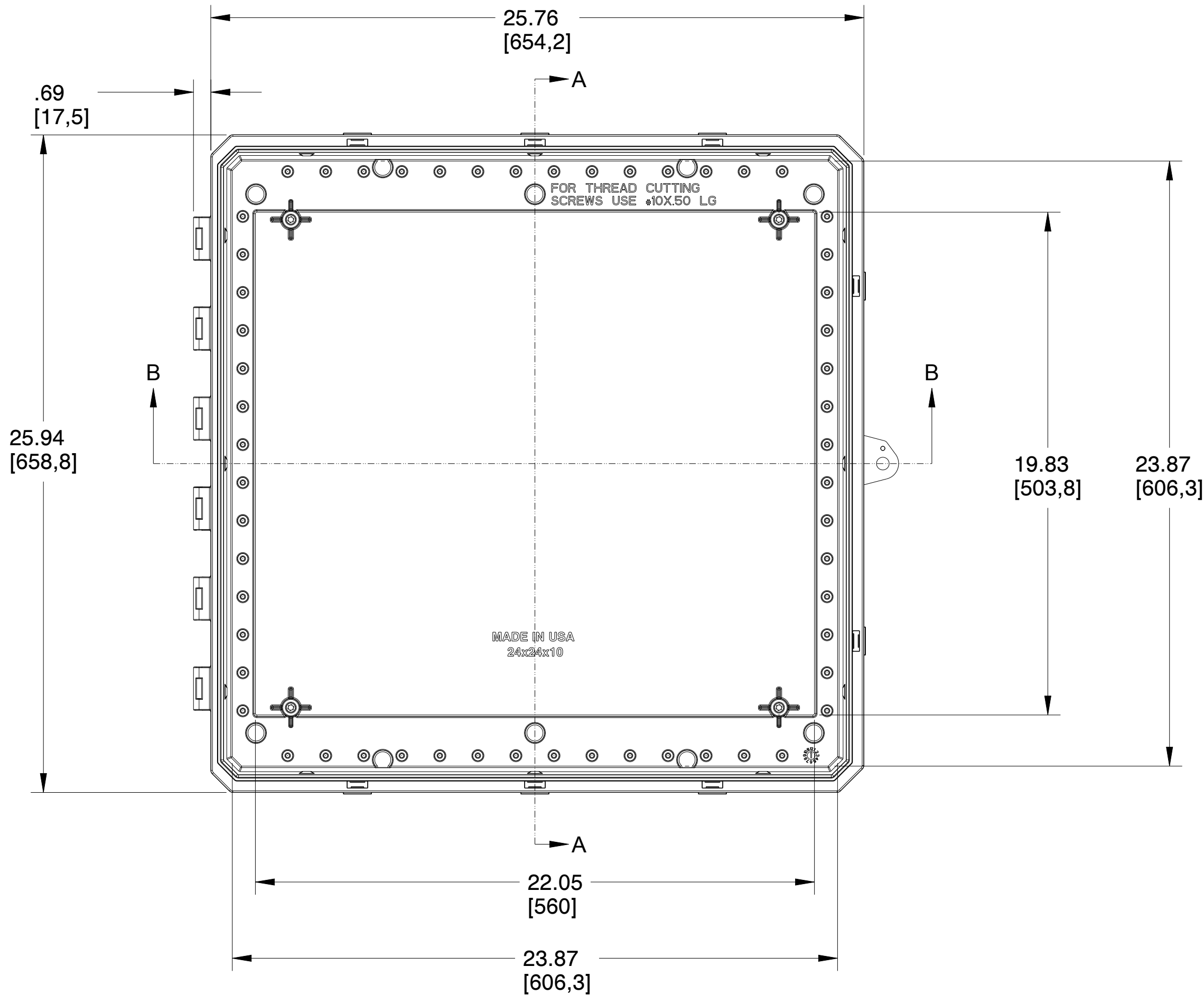
A



24.28
[616,7]

11.55
[293,4]

SECTION A-A



.69
[17,5]

25.76
[654,2]

25.94
[658,8]

19.83
[503,8]

23.87
[606,3]

22.05
[560]

23.87
[606,3]

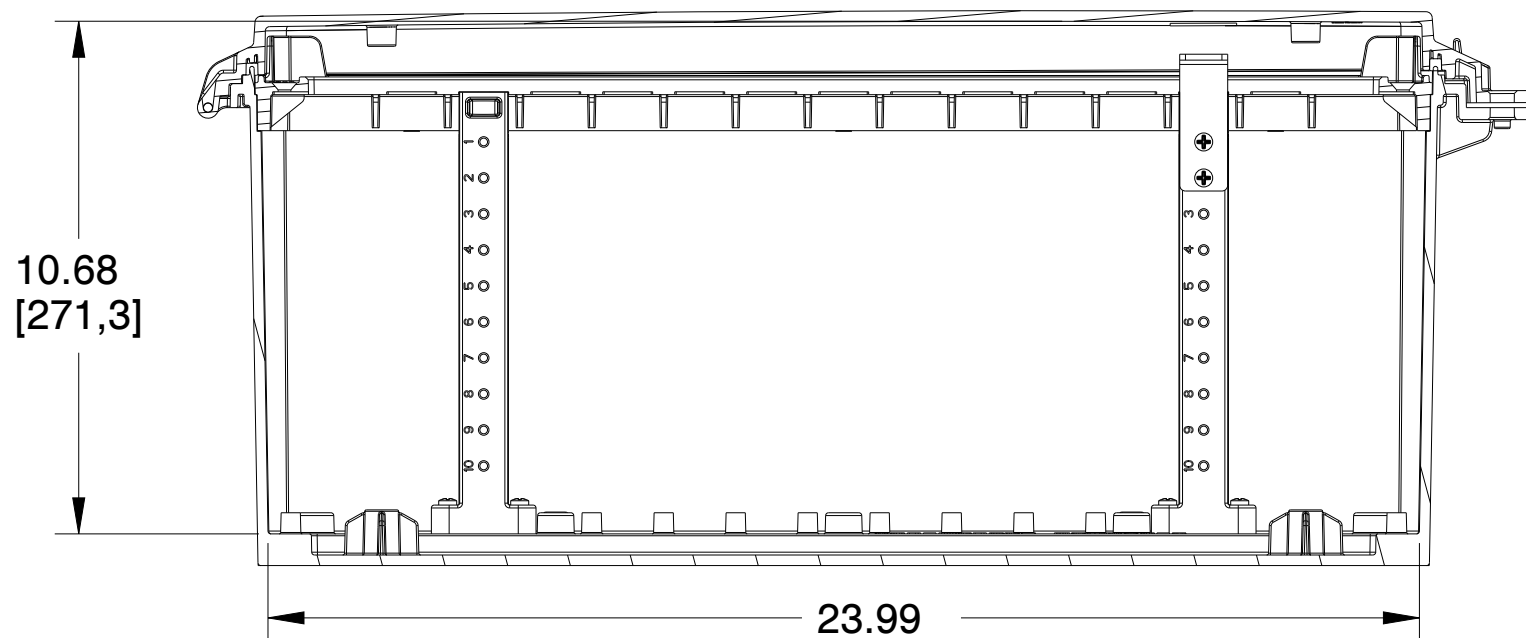
A

B

B

MADE IN USA
24x24x10

A



10.68
[271,3]

23.99
[609,3]

SECTION B-B

		MUM INDUSTRIES 8989 TYLER BLVD MENTOR, OHIO, U.S.A. (440) 269-8155 FAX (440) 269-8166	
		SCALE 0.250	SHEET 2 of 2
TITLE GEN-24X24X10-QUARTER-TURN-LATCH			
DATE 08.03.2021	DRAWING NUMBER G242410QTL	REV A	

UNLESS OTHERWISE SPECIFIED:
 DIMENSIONS ARE IN INCHES (mm)
 AND ARE NOMINAL ONLY.

PROPRIETARY AND CONFIDENTIAL:
 THE INFORMATION CONTAINED IN THIS
 DRAWING IS THE SOLE PROPERTY OF
 INTEGRA ENCLOSURES. ANY
 REPRODUCTION IN PART OR AS A
 WHOLE WITHOUT THE WRITTEN
 PERMISSION OF INTEGRA
 ENCLOSURES IS PROHIBITED.

4

3

2

1