

4

3

2

1

D

D

C

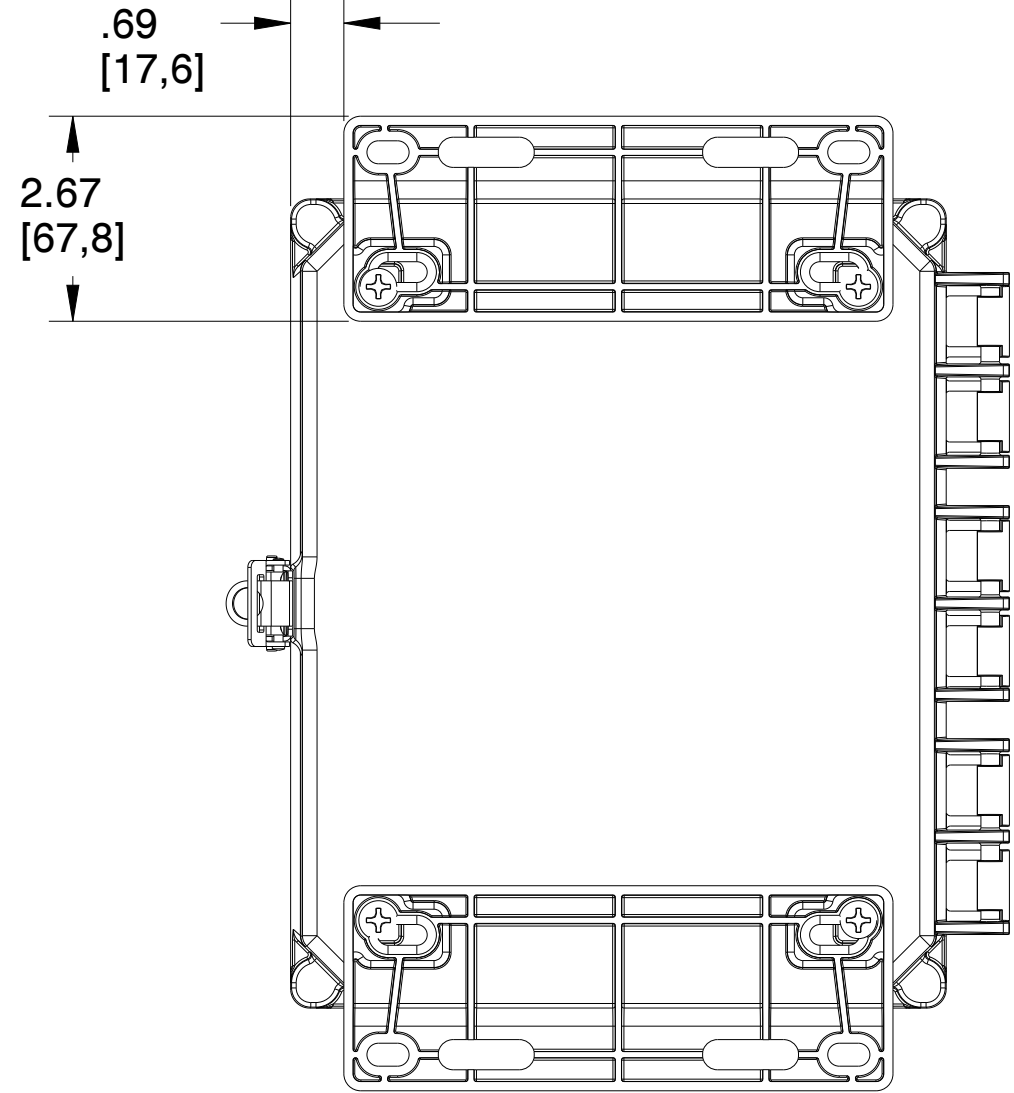
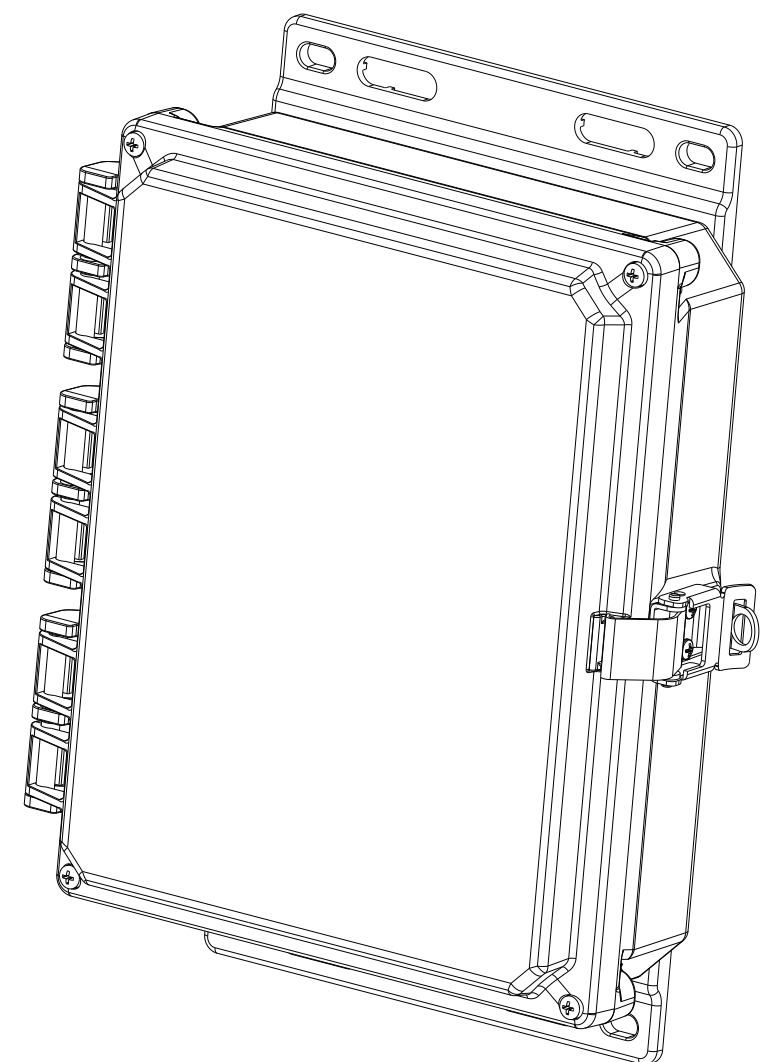
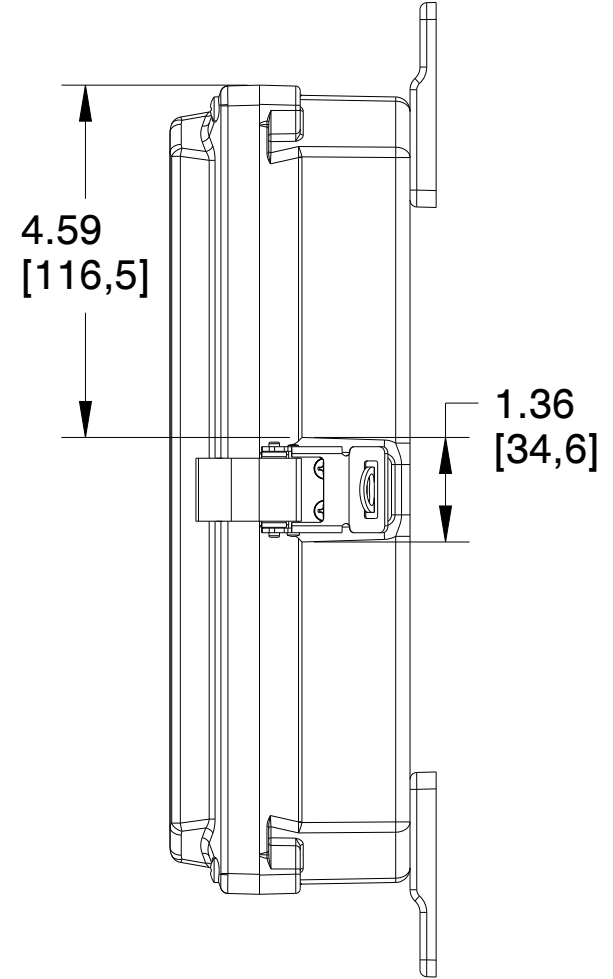
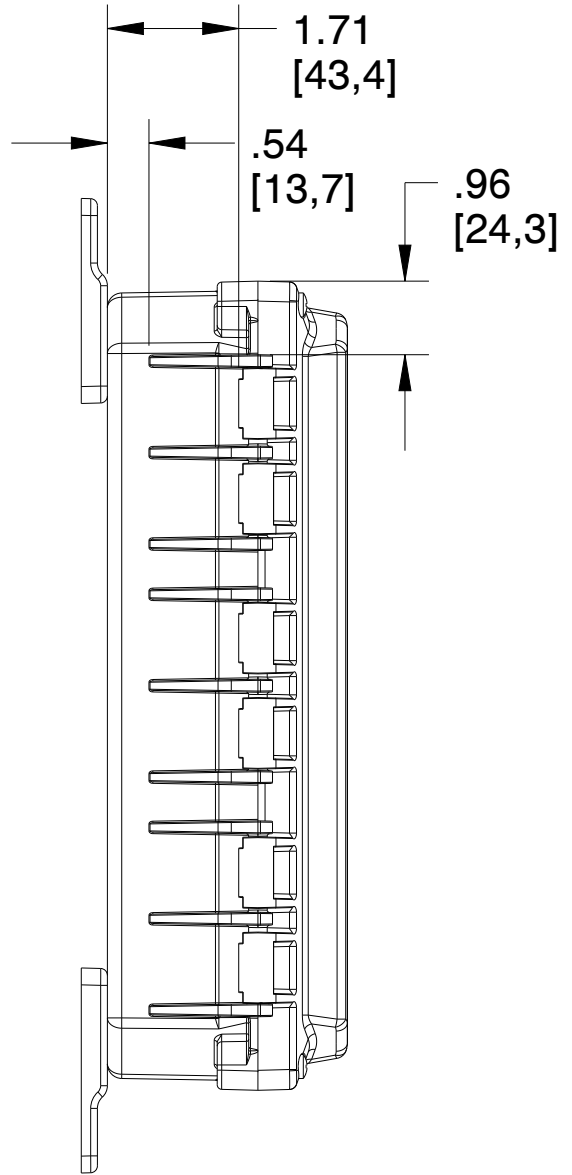
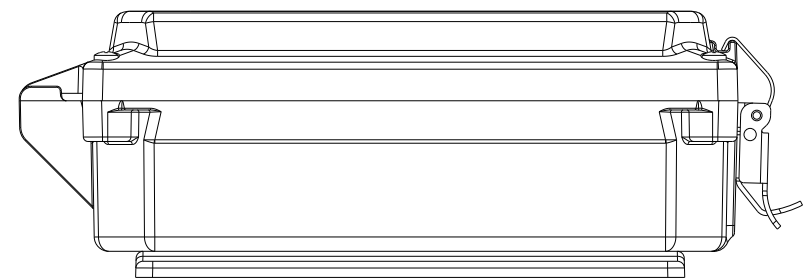
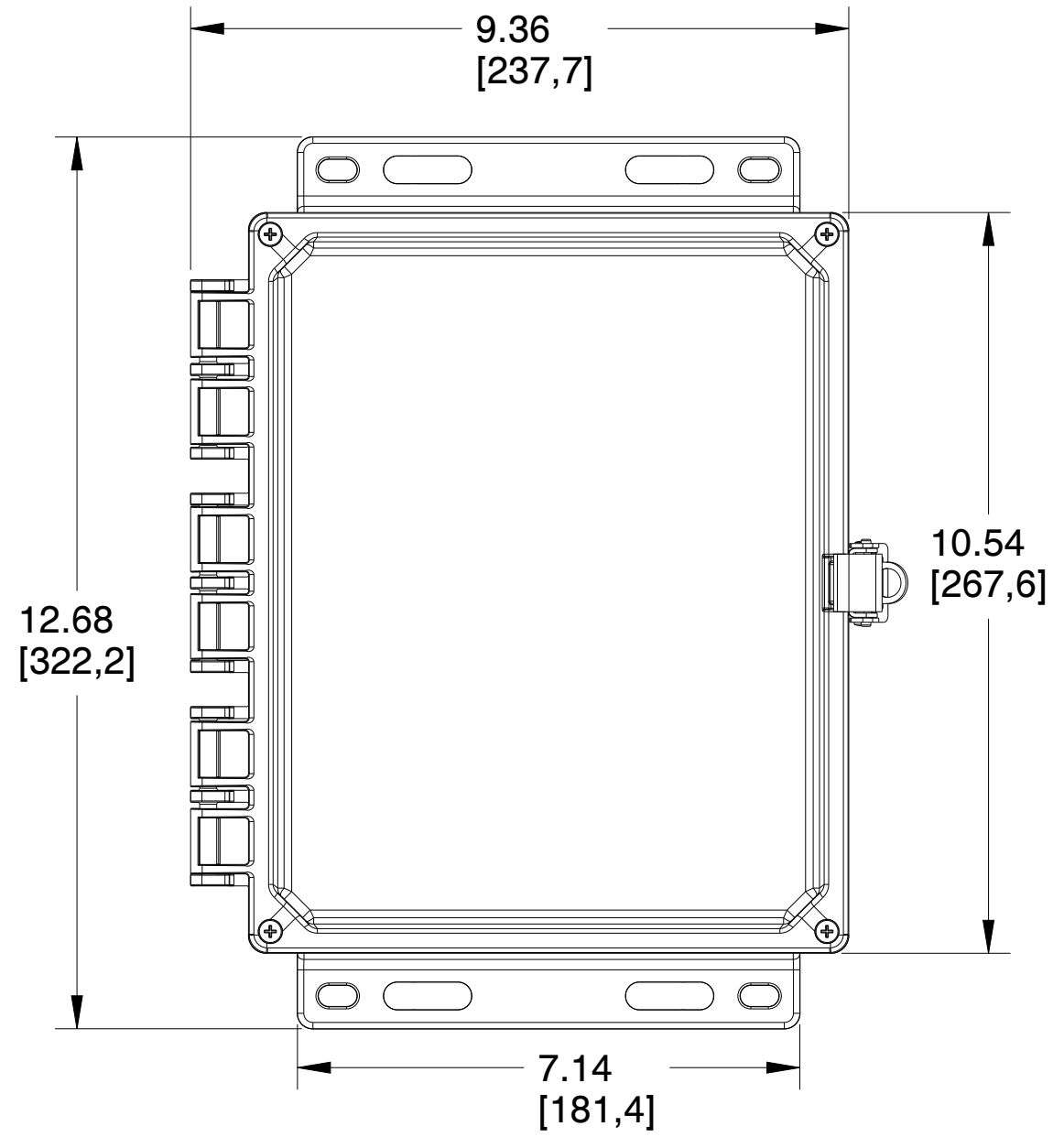
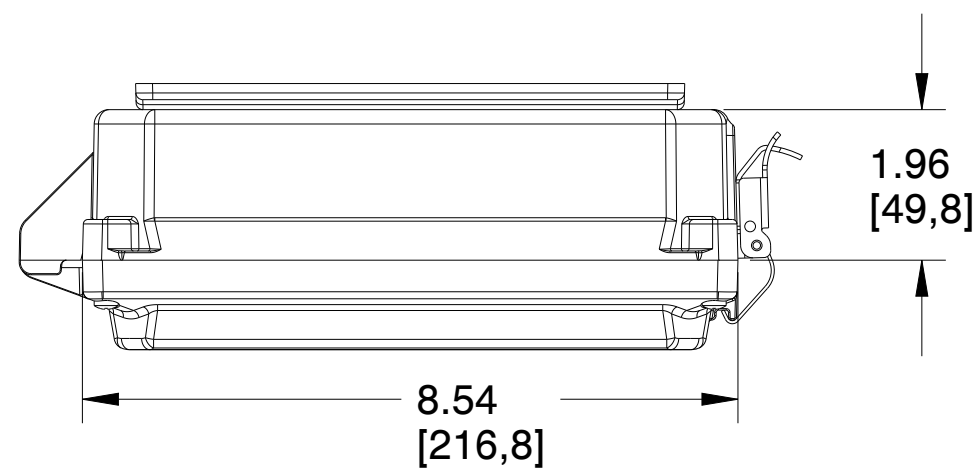
C

B

B

A

A



**INTEGRA ENCLOSURES**  
 MUM INDUSTRIES  
 8989 TYLER BLVD  
 MENTOR, OHIO, U.S.A.  
 (440) 269-8155 FAX (440) 269-8166

SCALE: 0.400 SHEET: 1 of 2 DRAWN BY: T.PAUL

TITLE: PREM-10X8X2-HNG-GRY-SLL

DATE: 07.29.2021 DRAWING NUMBER: H10082HFLL REV: A

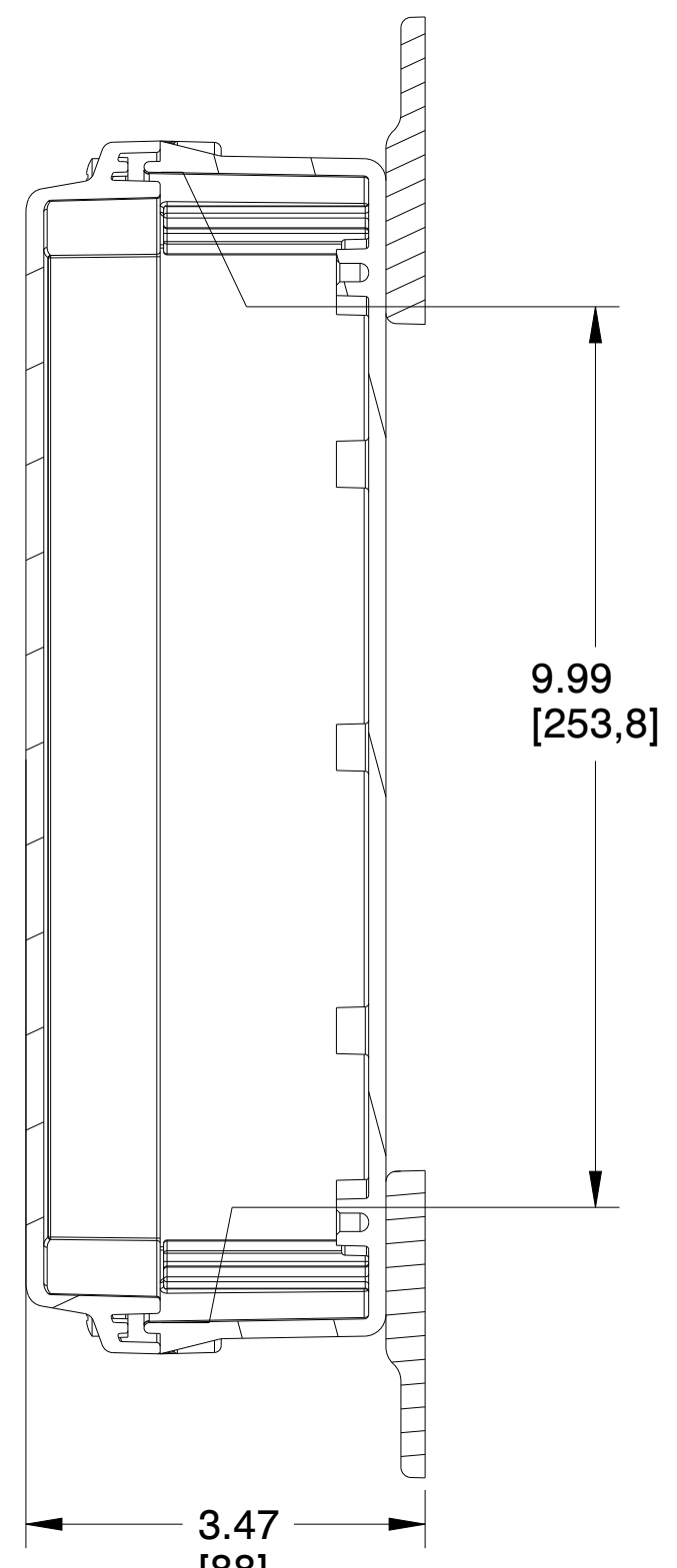
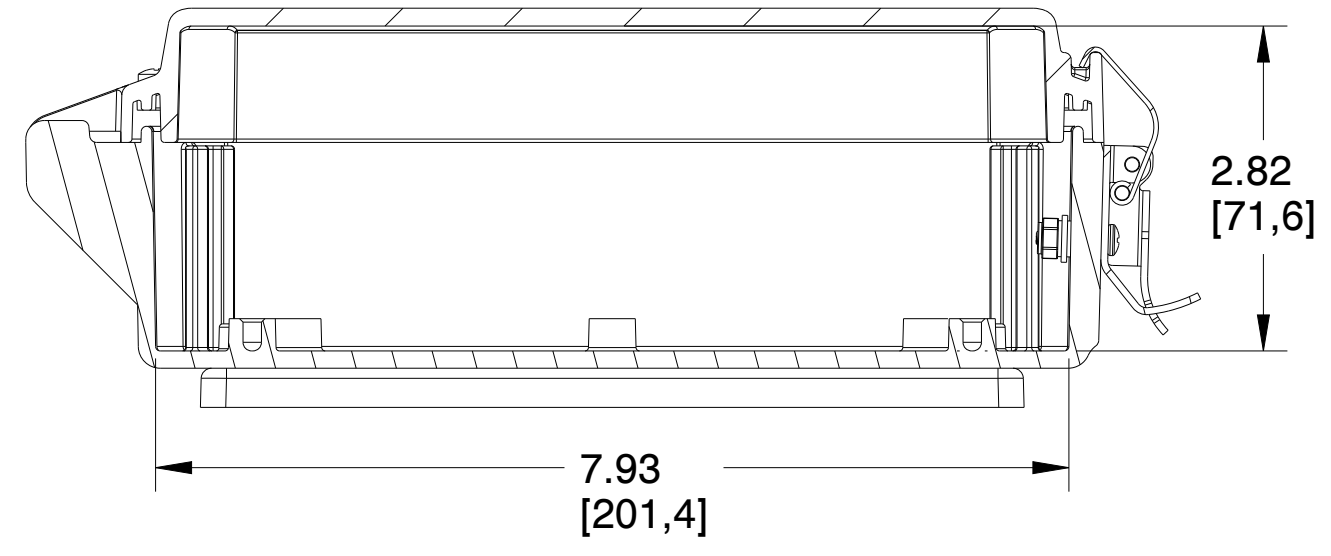
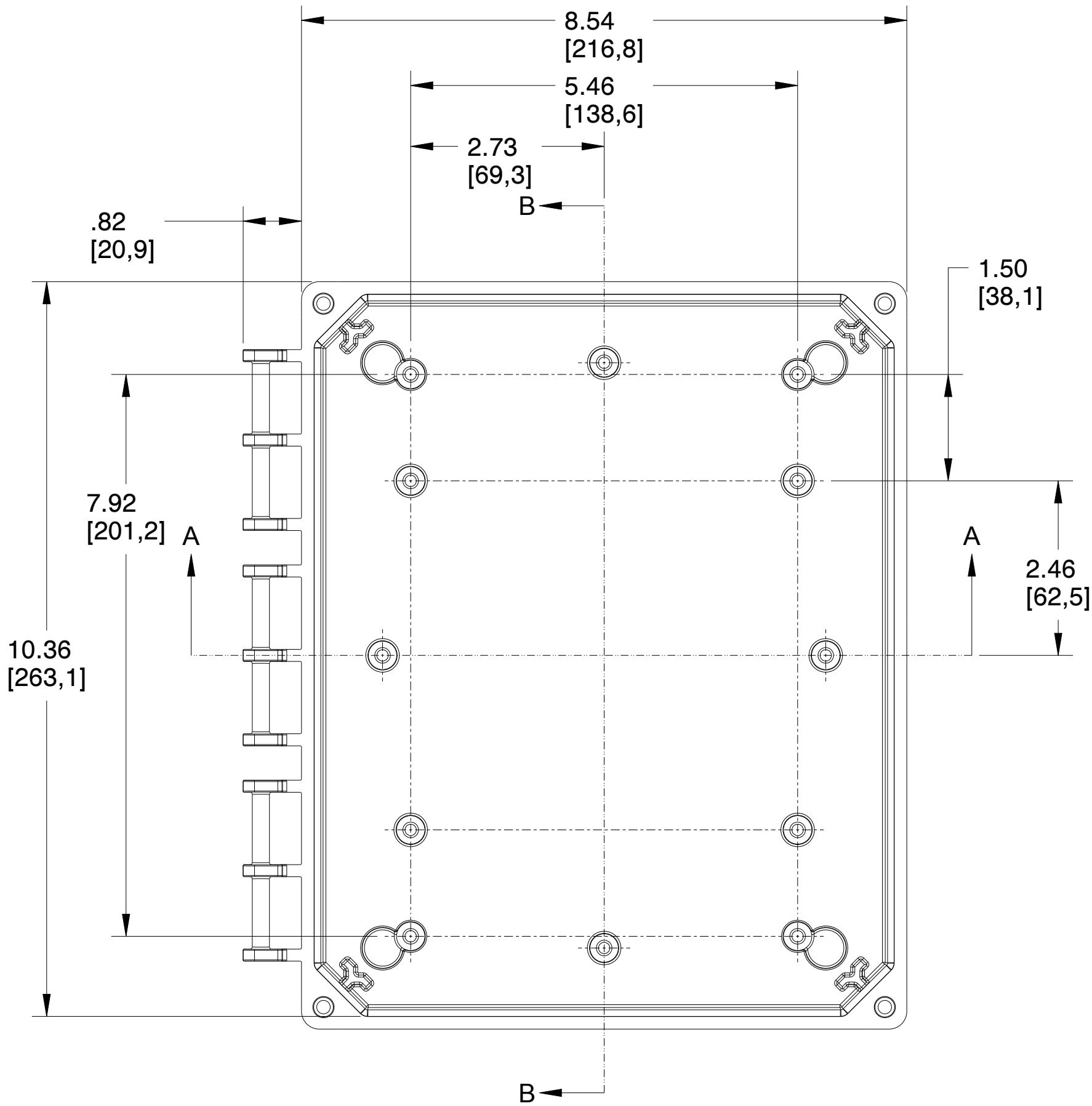
UNLESS OTHERWISE SPECIFIED:  
 DIMENSIONS ARE IN INCHES (mm)  
 AND ARE NOMINAL ONLY.  
 PROPRIETARY AND CONFIDENTIAL:  
 THE INFORMATION CONTAINED IN THIS  
 DRAWING IS THE SOLE PROPERTY OF  
 INTEGRA ENCLOSURES. ANY  
 REPRODUCTION IN PART OR AS A  
 WHOLE WITHOUT THE WRITTEN  
 PERMISSION OF INTEGRA  
 ENCLOSURES IS PROHIBITED.

4

3

2

1



MUM INDUSTRIES  
8989 TYLER BLVD  
MENTOR, OHIO, U.S.A.  
(440) 269-8155 FAX (440) 269-8166

SCALE	SHEET	DRAWN BY
0.600	2 of 2	T.PAUL

TITLE  
**PREM-10X8X2-HNG-GRY-SLL**

DATE	DRAWING NUMBER	REV
07.29.2021	H10082HFLL	A

UNLESS OTHERWISE SPECIFIED:  
DIMENSIONS ARE IN INCHES (mm)  
AND ARE NOMINAL ONLY.

PROPRIETARY AND CONFIDENTIAL:  
THE INFORMATION CONTAINED IN THIS  
DRAWING IS THE SOLE PROPERTY OF  
INTEGRA ENCLOSURES. ANY  
REPRODUCTION IN PART OR AS A  
WHOLE WITHOUT THE WRITTEN  
PERMISSION OF INTEGRA  
ENCLOSURES IS PROHIBITED.