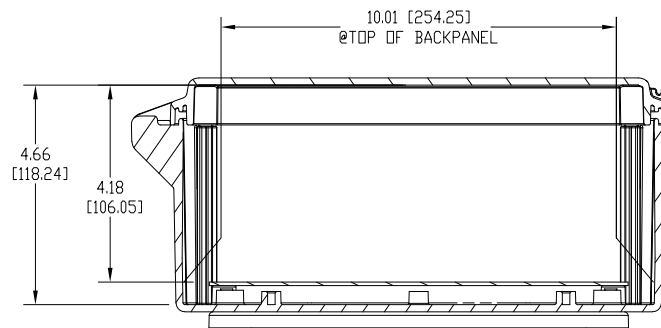
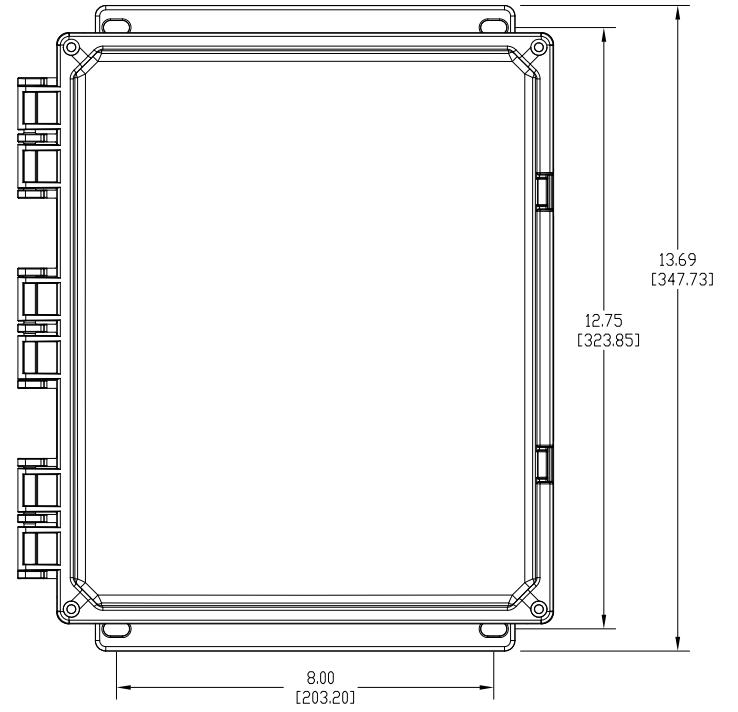
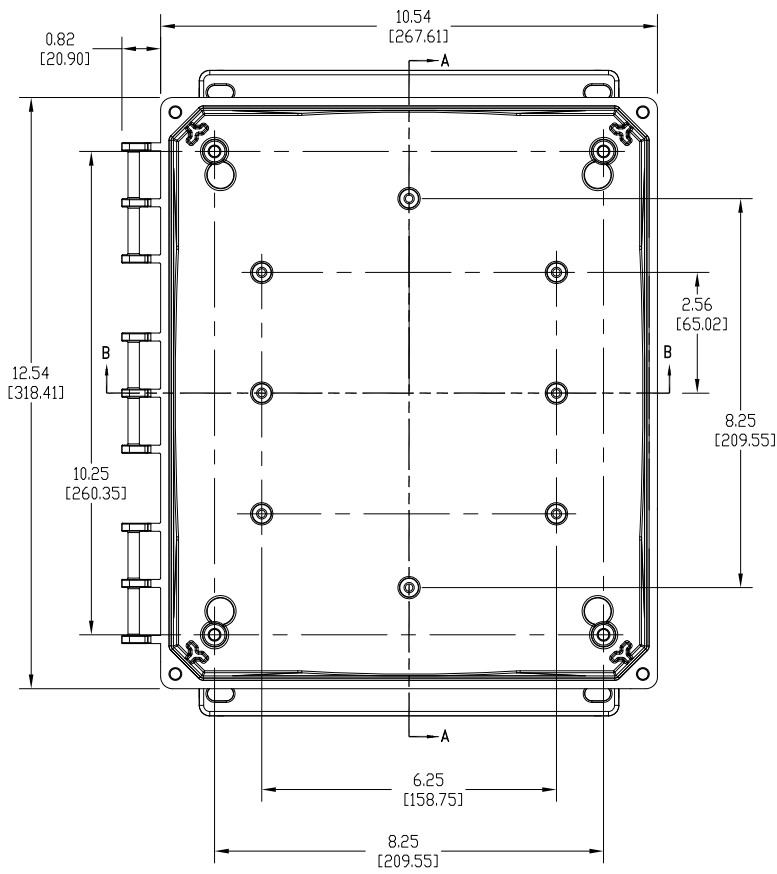
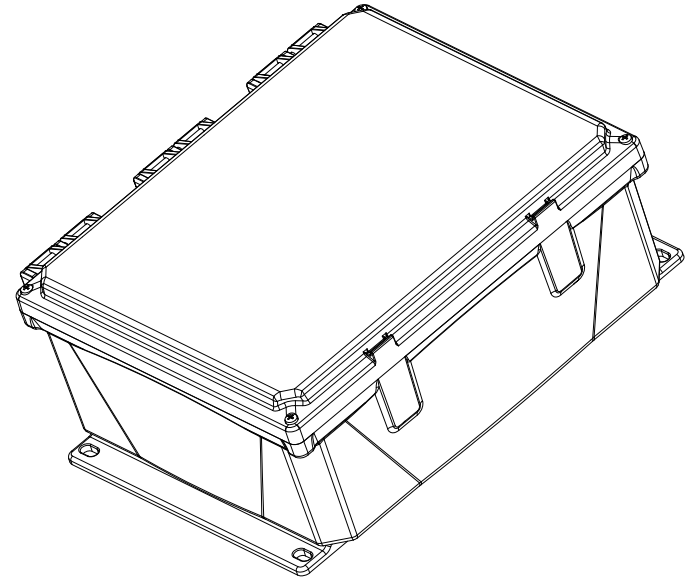


SECTION A-A



SECTION B-B



NOTES:  
MOUNTING HOLE PATTERN DIFFERENT FROM 12X10X6 ENCLOSURE

|                             |                |                            |                       |                |
|-----------------------------|----------------|----------------------------|-----------------------|----------------|
| REF PART: 12X10X6 ENCLOSURE |                | <b>INTEGRA ENCLOSURES</b>  |                       | REV 000001     |
| FORM: 00                    | DATE: 12.02.13 | DRAWN BY: W.TIDWELL        | CHECKED BY: W.TIDWELL | DATE: 12.02.13 |
| SIZE: 12X10X6               | SCALE: 1:1     | PART: 1 of 1               |                       | REV: 00        |
| FUNCTIONAL: 1/84            | DATE: 12.02.13 | PART: PREM-12X10X4-HNG-CLR |                       | REV: 00        |
| REV: 00                     | DATE: 12.02.13 | PART: H12104HCF            |                       | REV: 00        |