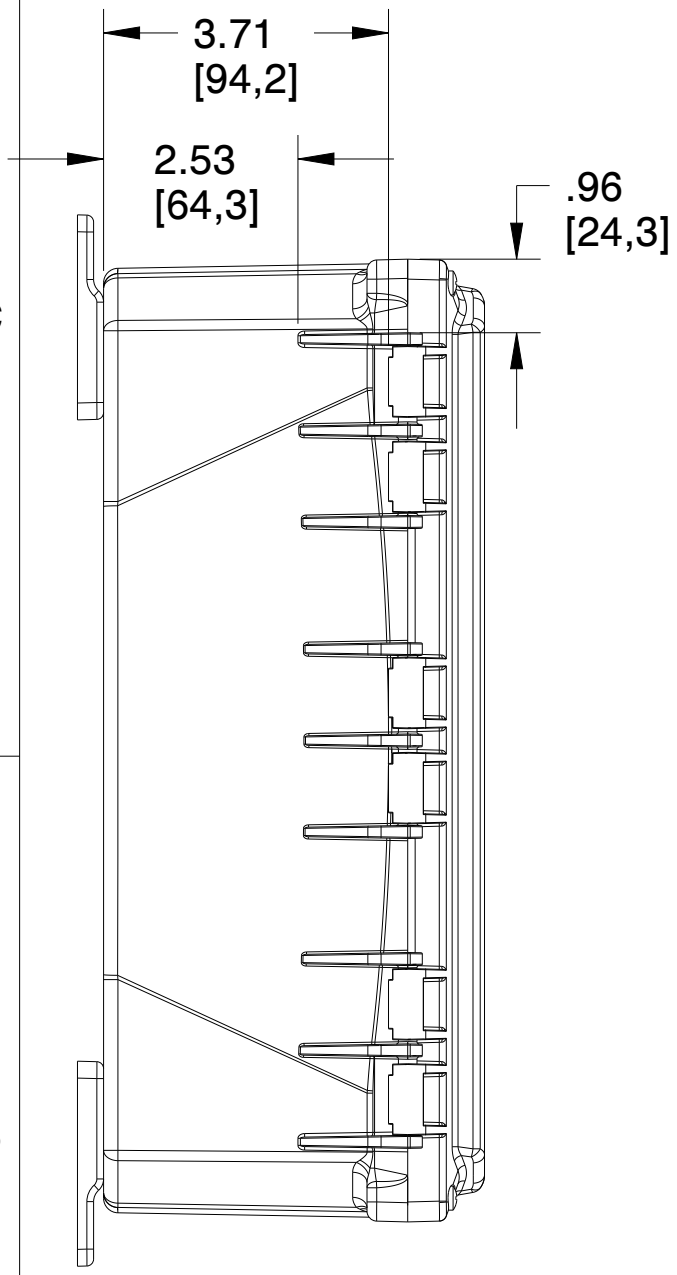
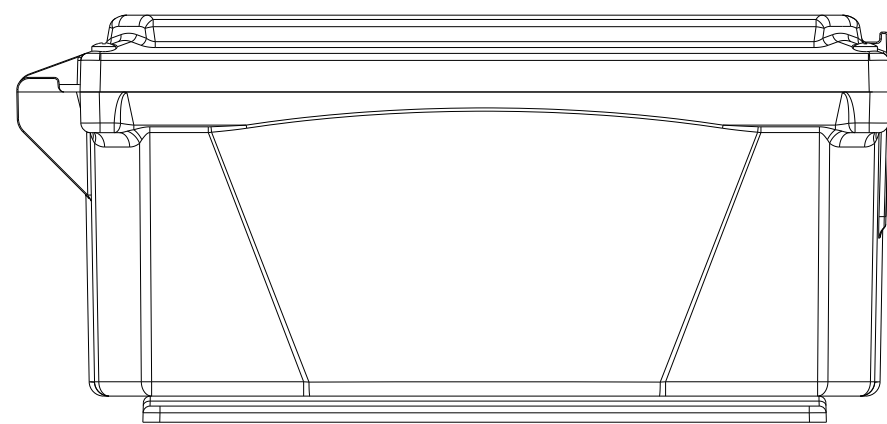
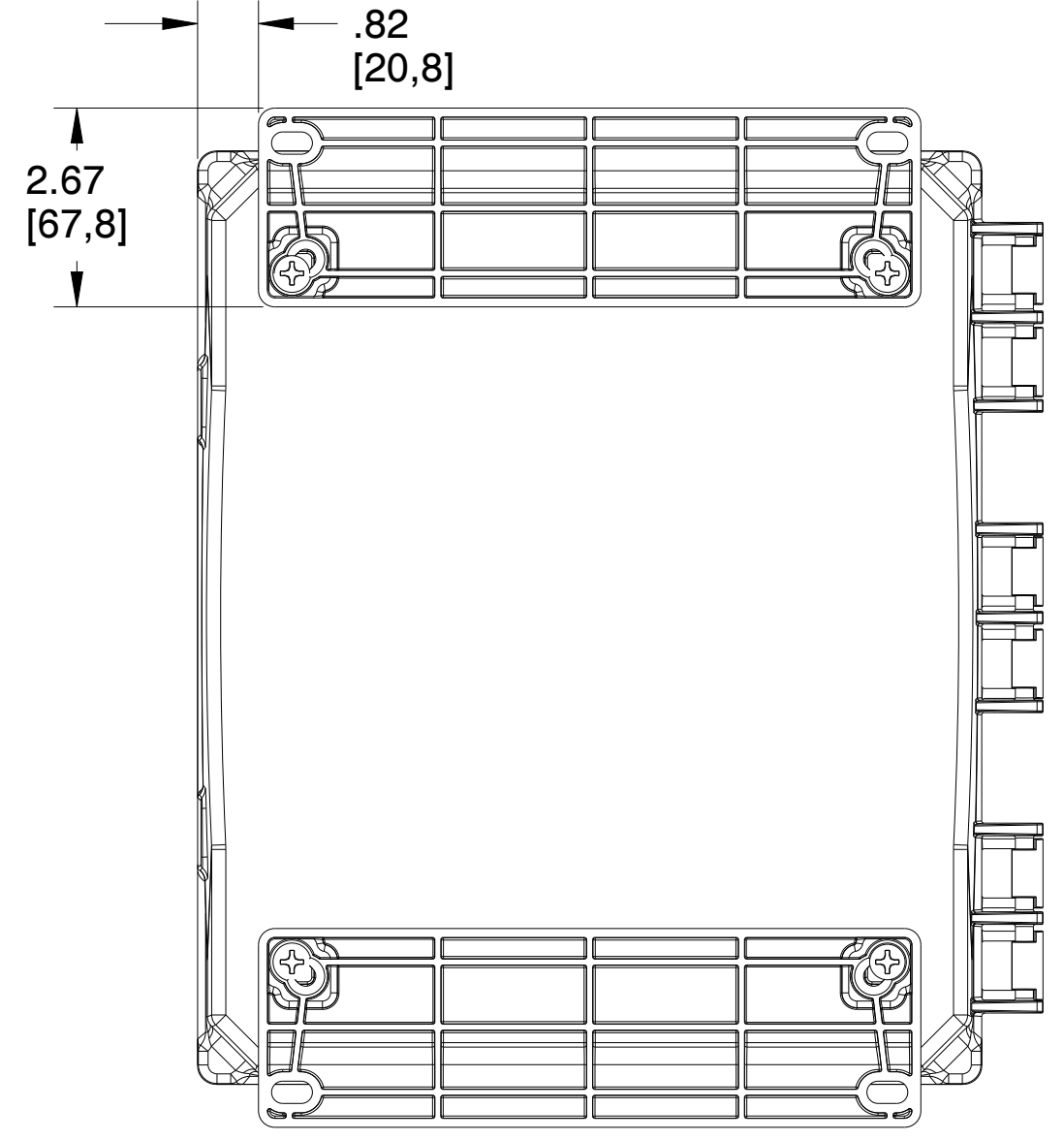
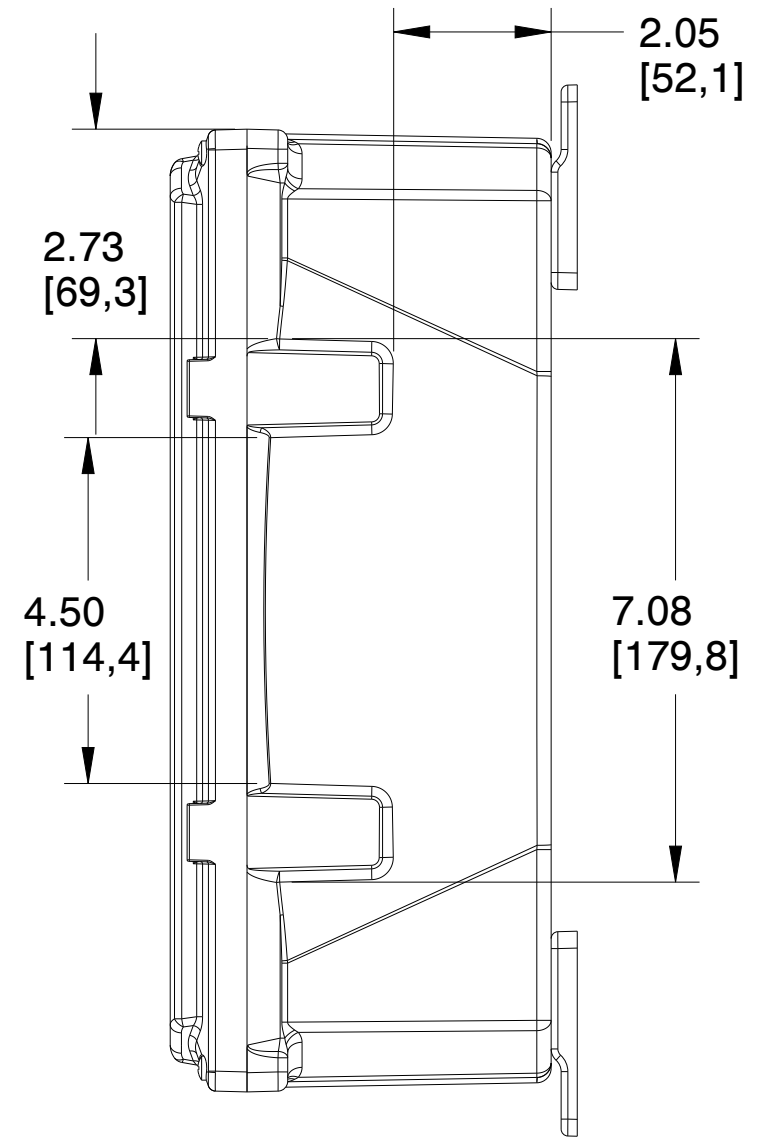
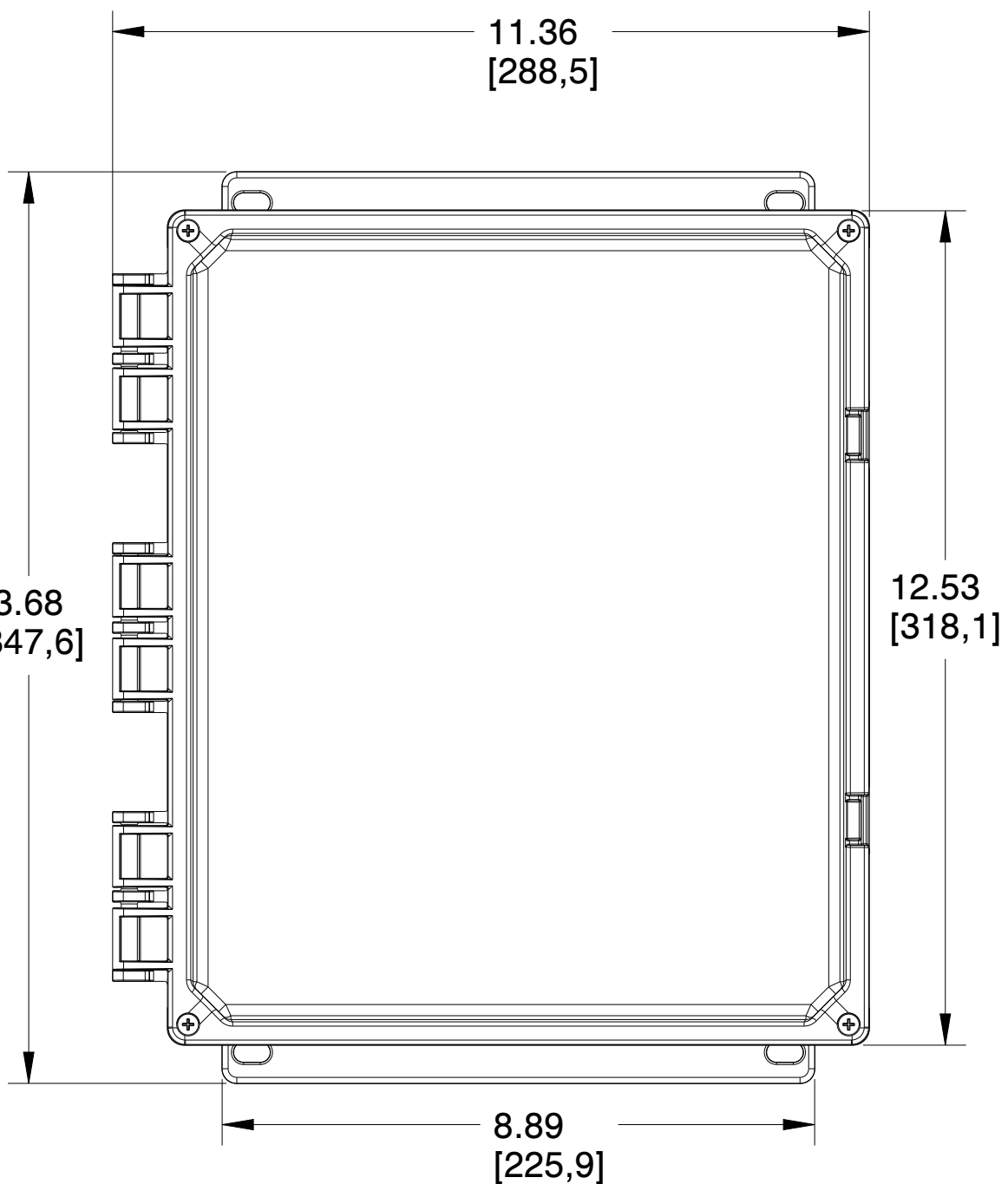
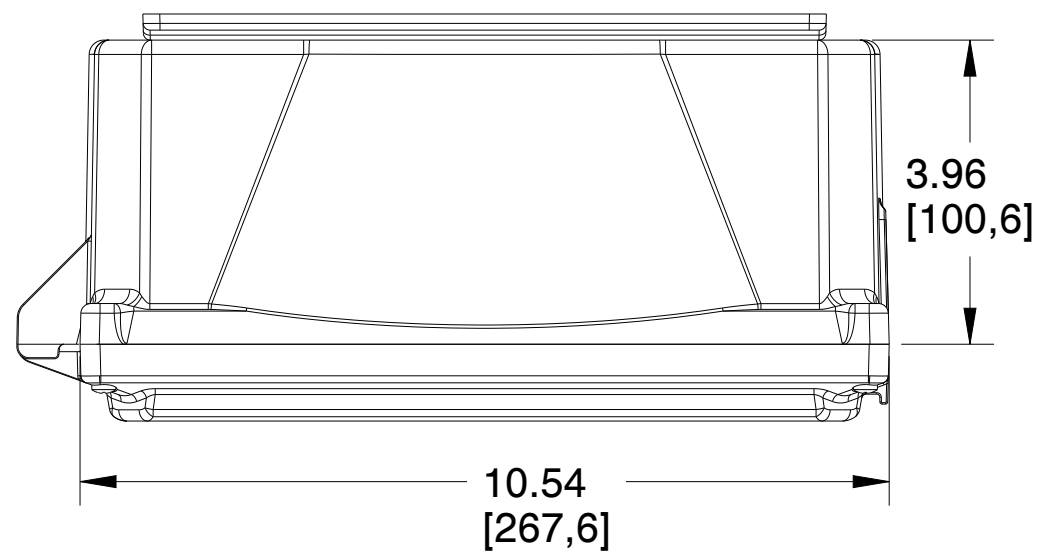


4

3

2

1



MUM INDUSTRIES
8989 TYLER BLVD
MENTOR, OHIO, U.S.A.
(440) 269-8155 FAX (440) 269-8166

| | | |
|----------------|-----------------|--------------------|
| SCALE 0.400 | SHEET 1 of 2 | DRAWN BY T.PAUL |
|----------------|-----------------|--------------------|

TITLE
PREM-12X10X4-HNG-GRY

| | | |
|--------------------|----------------------------|----------|
| DATE 07.29.2021 | DRAWING NUMBER H12104HF | REV A |
|--------------------|----------------------------|----------|

UNLESS OTHERWISE SPECIFIED:
DIMENSIONS ARE IN INCHES (mm)
AND ARE NOMINAL ONLY

PROPRIETARY AND CONFIDENTIAL:
THE INFORMATION CONTAINED IN THIS
DRAWING IS THE SOLE PROPERTY OF
INTEGRA ENCLOSURES. ANY
REPRODUCTION IN PART OR AS A
WHOLE WITHOUT THE WRITTEN
PERMISSION OF INTEGRA
ENCLOSURES IS PROHIBITED.

4

3

2

1

D

D

C

C

B

B

A

A

4

3

2

1

D

D

C

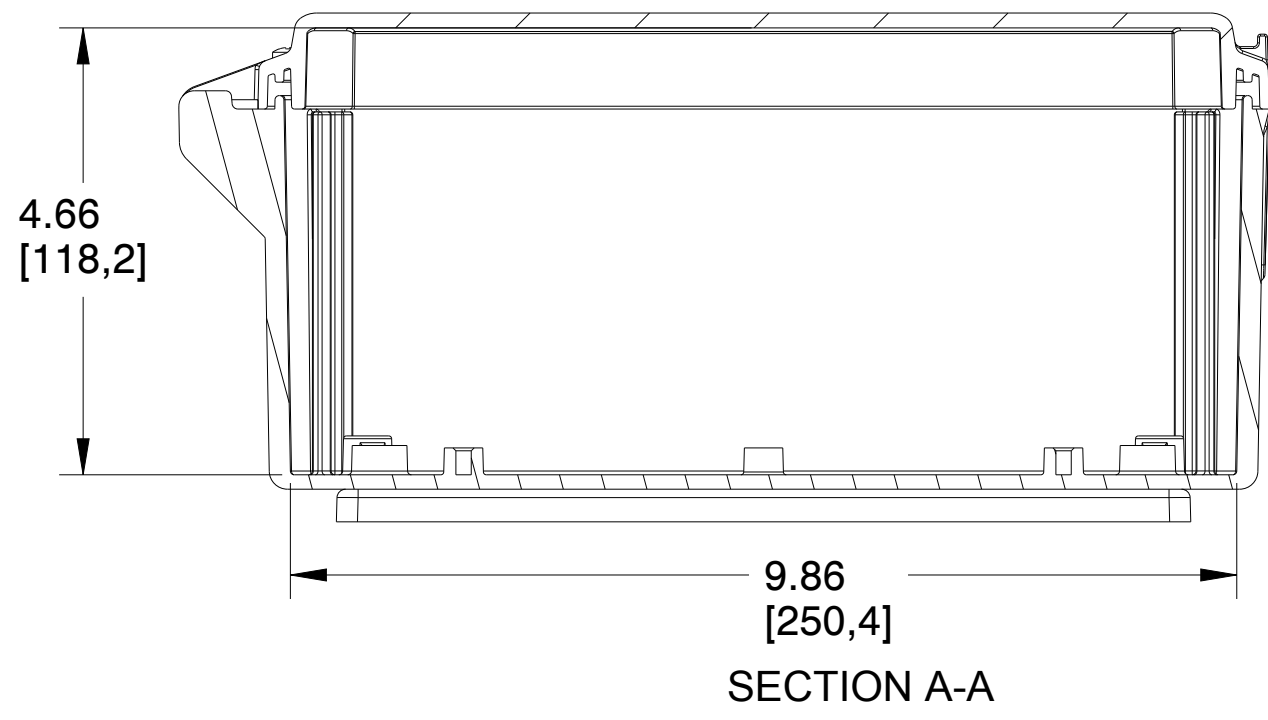
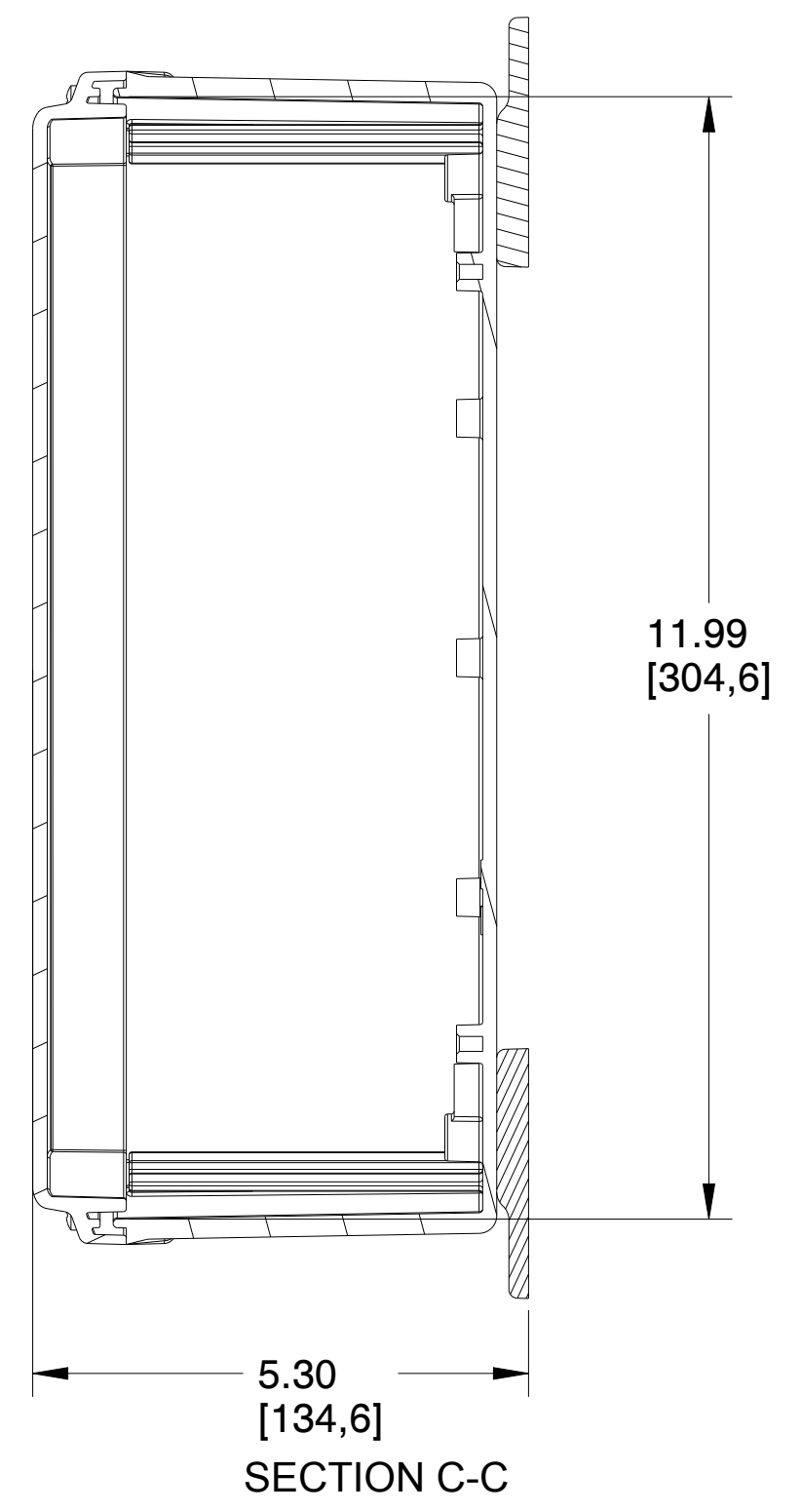
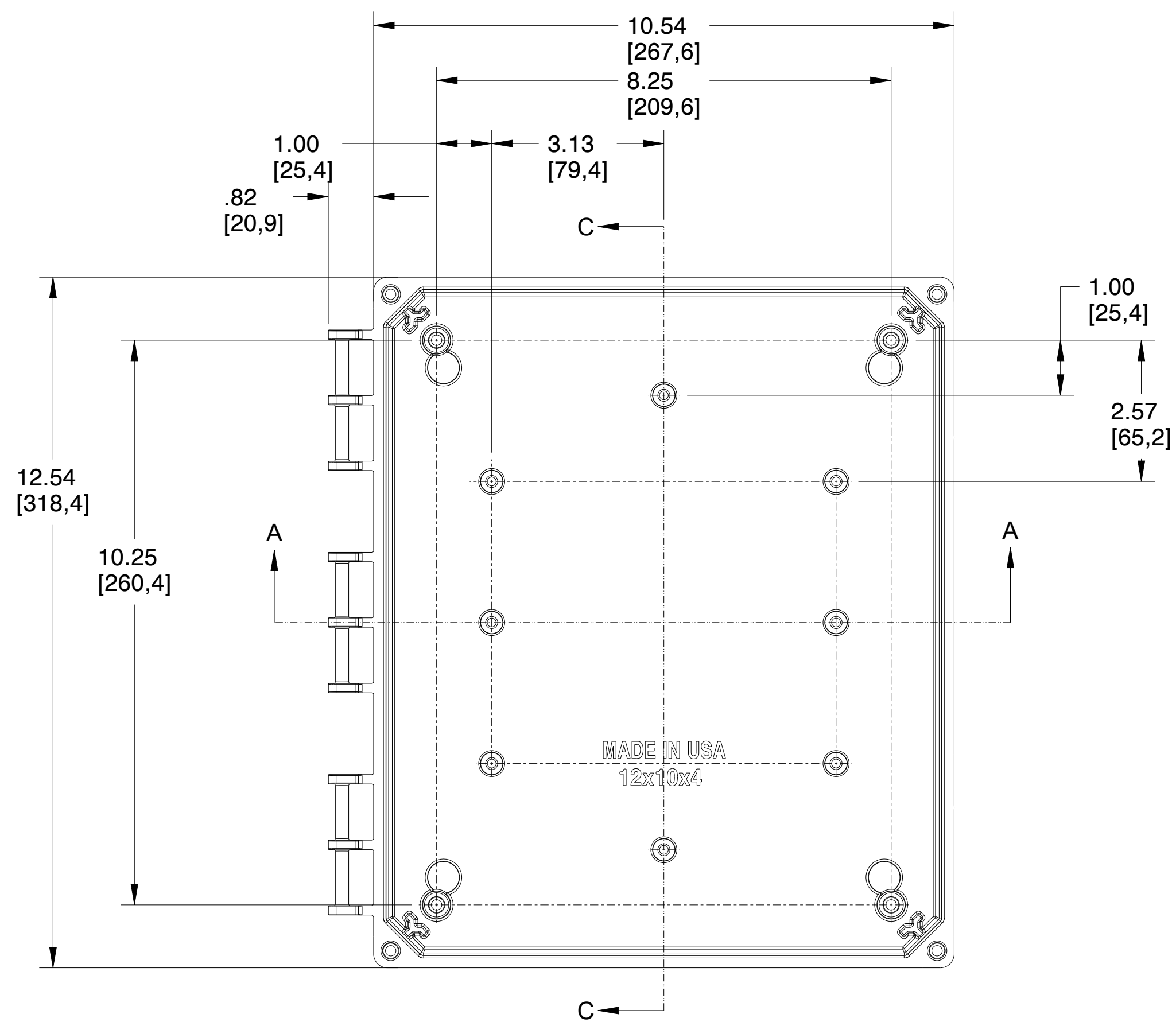
C

B

B

A

A



| | | | |
|----------------------|----------------|--|--|
| | | MUM INDUSTRIES 8989 TYLER BLVD MENTOR, OHIO, U.S.A. (440) 269-8155 FAX (440) 269-8166 | |
| SCALE | SHEET | DRAWN BY | |
| 0.500 | 2 of 2 | T.PAUL | |
| TITLE | | | |
| PREM-12X10X4-HNG-GRY | | | |
| DATE | DRAWING NUMBER | REV | |
| 07.29.2021 | H12104HF | A | |

UNLESS OTHERWISE SPECIFIED:
DIMENSIONS ARE IN INCHES (mm)
AND ARE NOMINAL ONLY

PROPRIETARY AND CONFIDENTIAL:
THE INFORMATION CONTAINED IN THIS
DRAWING IS THE SOLE PROPERTY OF
INTEGRA ENCLOSURES. ANY
REPRODUCTION IN PART OR AS A
WHOLE WITHOUT THE WRITTEN
PERMISSION OF INTEGRA
ENCLOSURES IS PROHIBITED.

4

3

2

1