

4

3

2

1

D

D

C

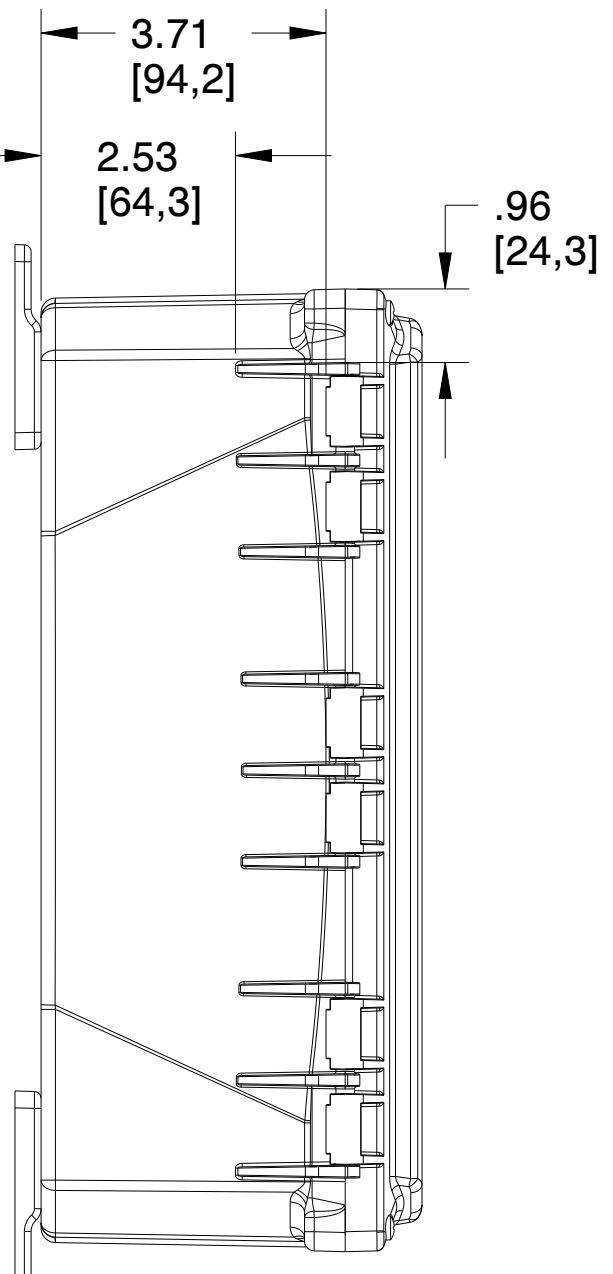
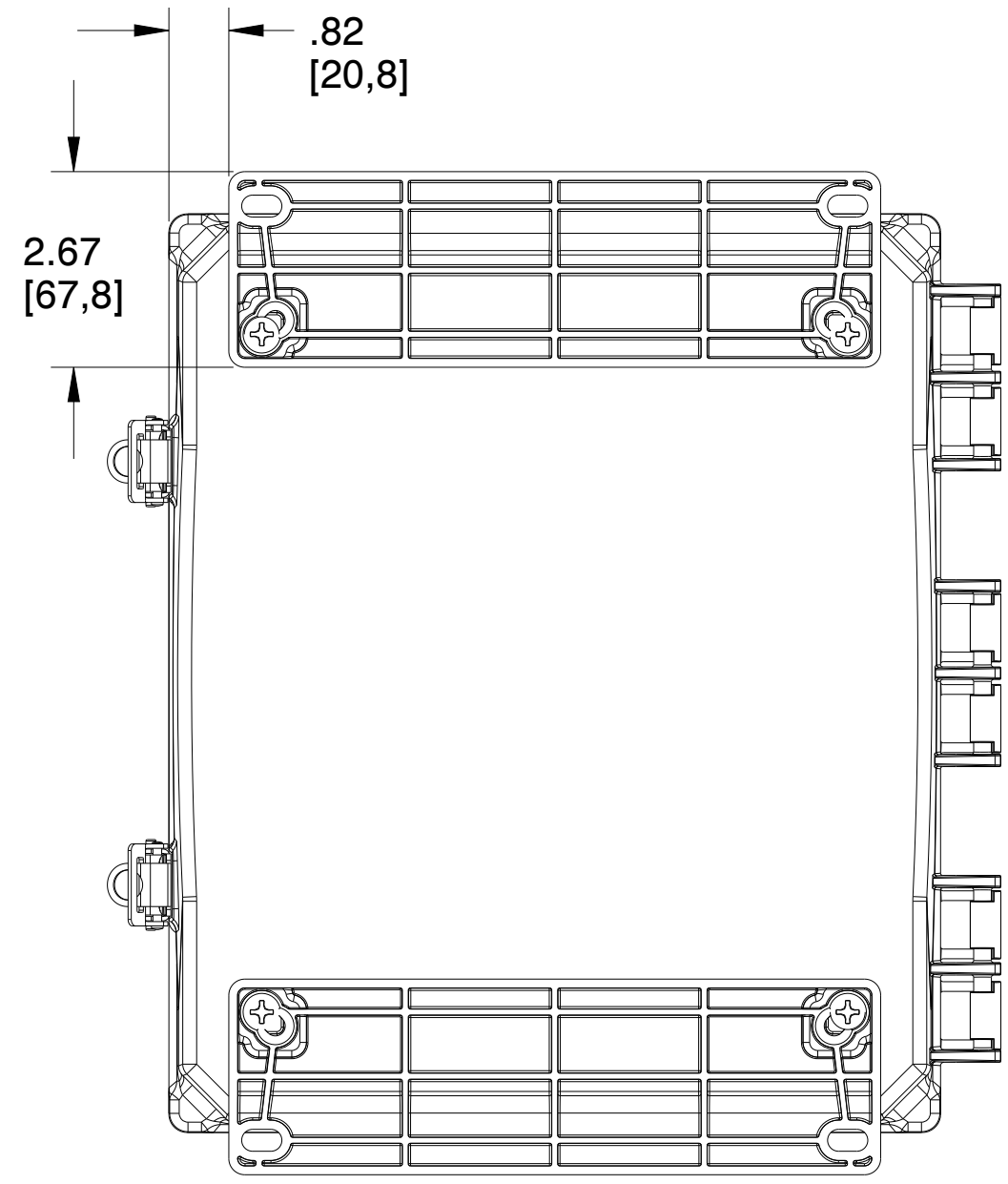
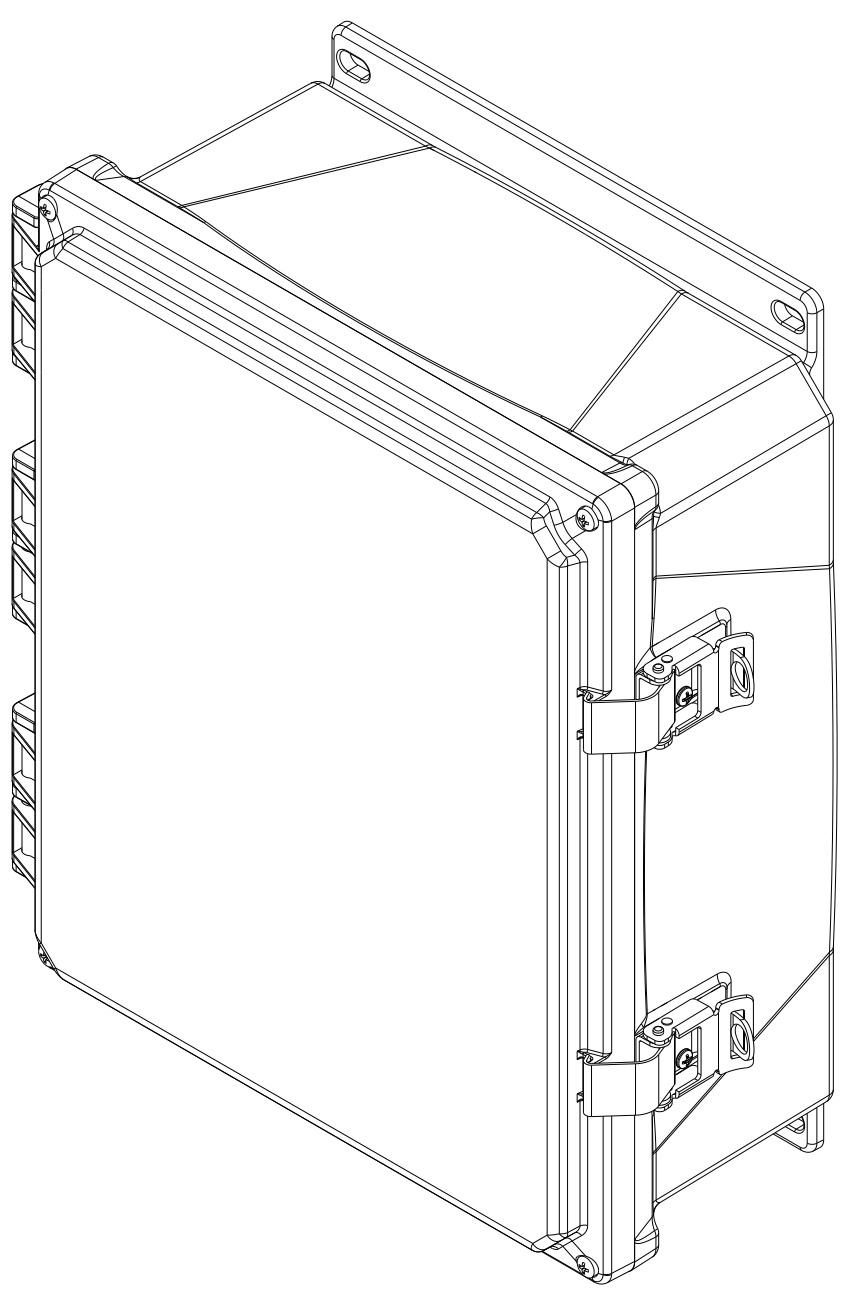
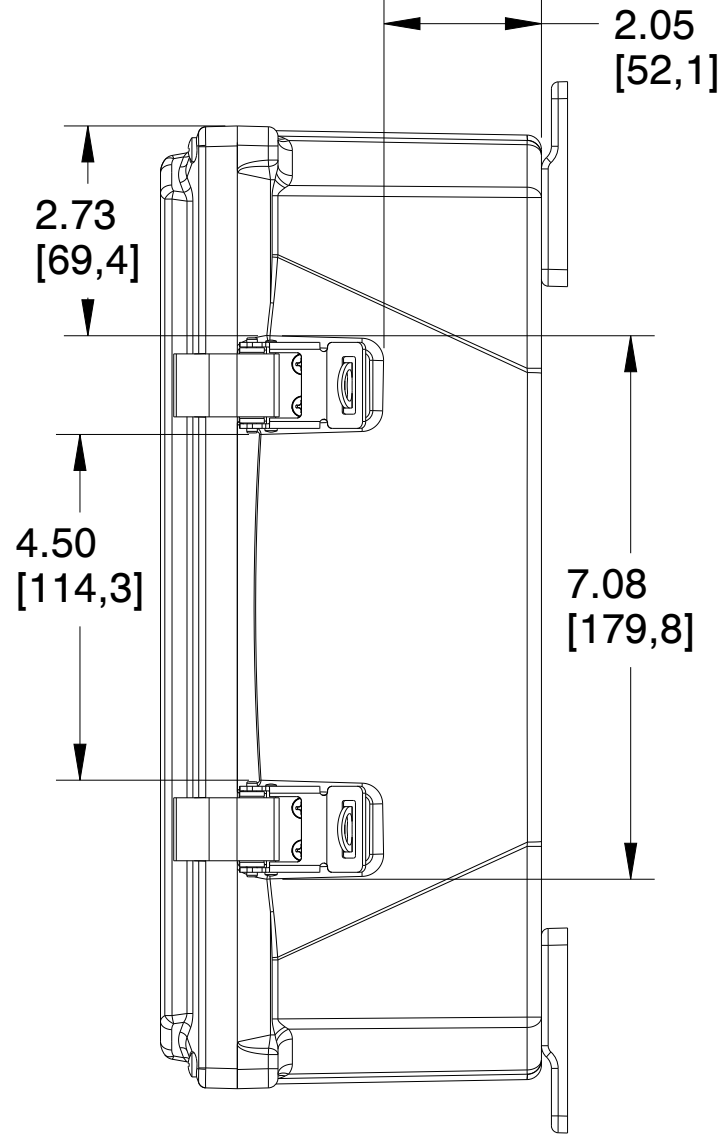
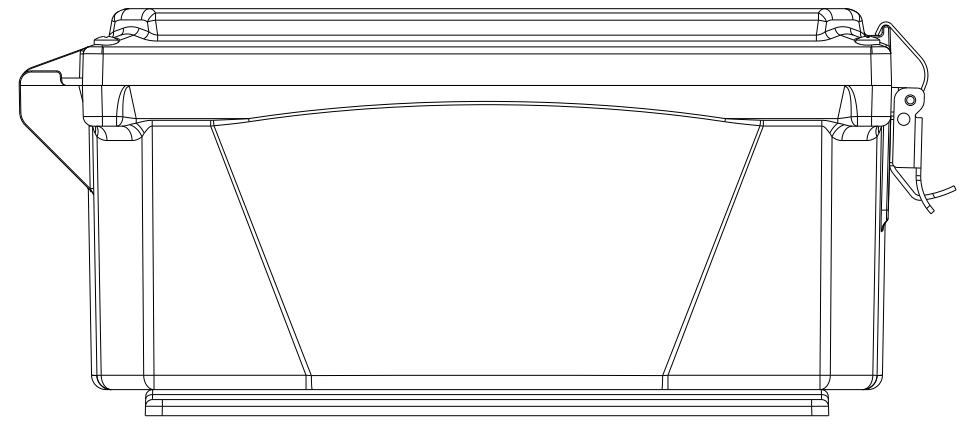
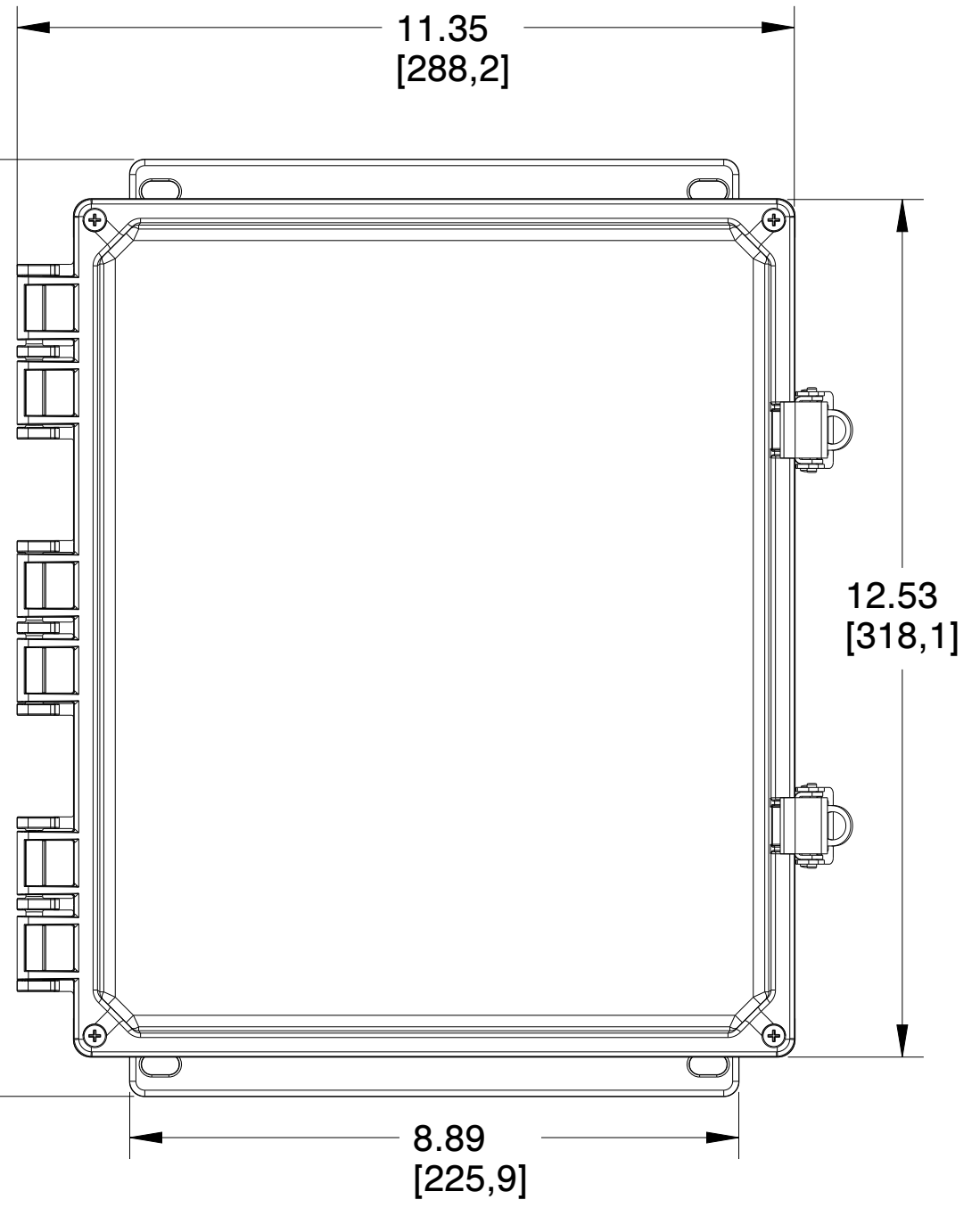
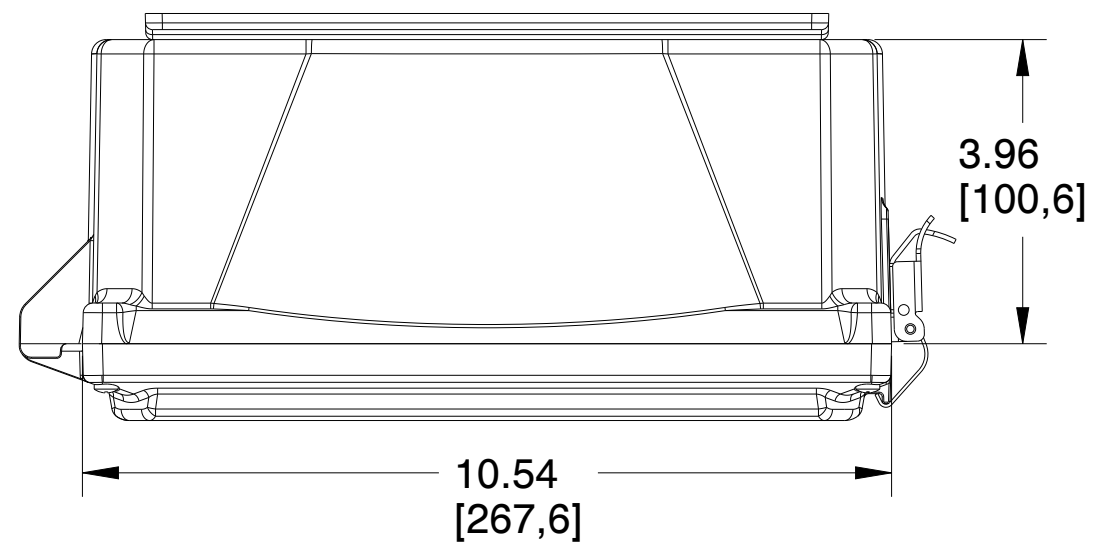
C

B

B

A

A



MUM INDUSTRIES  
8989 TYLER BLVD  
MENTOR, OHIO, U.S.A.  
(440) 269-8155 FAX (440) 269-8166

|                |                 |                    |
|----------------|-----------------|--------------------|
| SCALE<br>0.400 | SHEET<br>1 of 2 | DRAWN BY<br>T.PAUL |
|----------------|-----------------|--------------------|

|                                   |
|-----------------------------------|
| TITLE<br>PREM-12X10X4-HNG-GRY-SLL |
|-----------------------------------|

|                    |                              |          |
|--------------------|------------------------------|----------|
| DATE<br>07.29.2021 | DRAWING NUMBER<br>H12104HFLL | REV<br>A |
|--------------------|------------------------------|----------|

UNLESS OTHERWISE SPECIFIED:  
DIMENSIONS ARE IN INCHES (mm)  
AND ARE NOMINAL ONLY

PROPRIETARY AND CONFIDENTIAL:  
THE INFORMATION CONTAINED IN THIS  
DRAWING IS THE SOLE PROPERTY OF  
INTEGRA ENCLOSURES. ANY  
REPRODUCTION IN PART OR AS A  
WHOLE WITHOUT THE WRITTEN  
PERMISSION OF INTEGRA  
ENCLOSURES IS PROHIBITED.

4

3

2

1

4

3

2

1

D

D

C

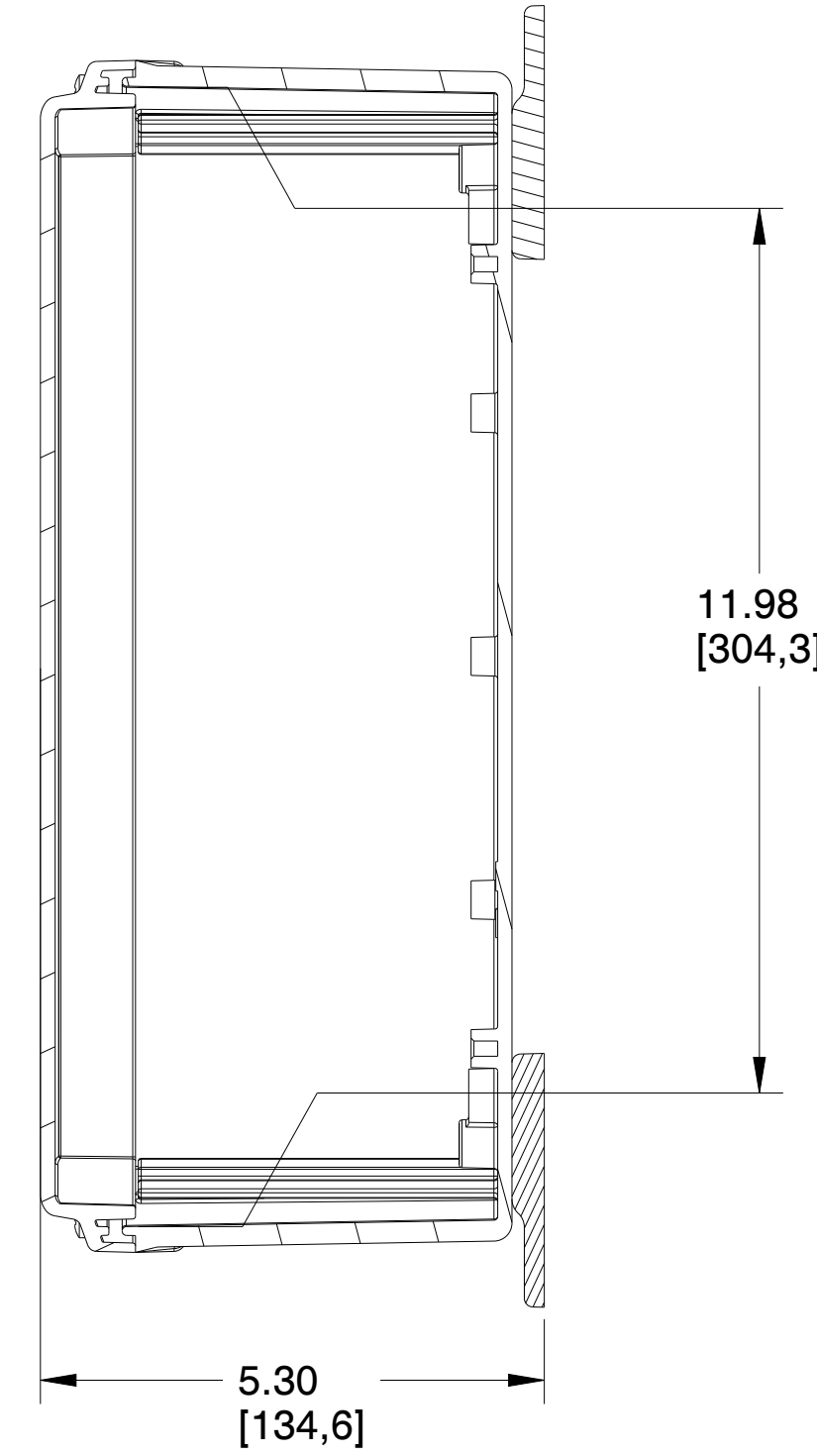
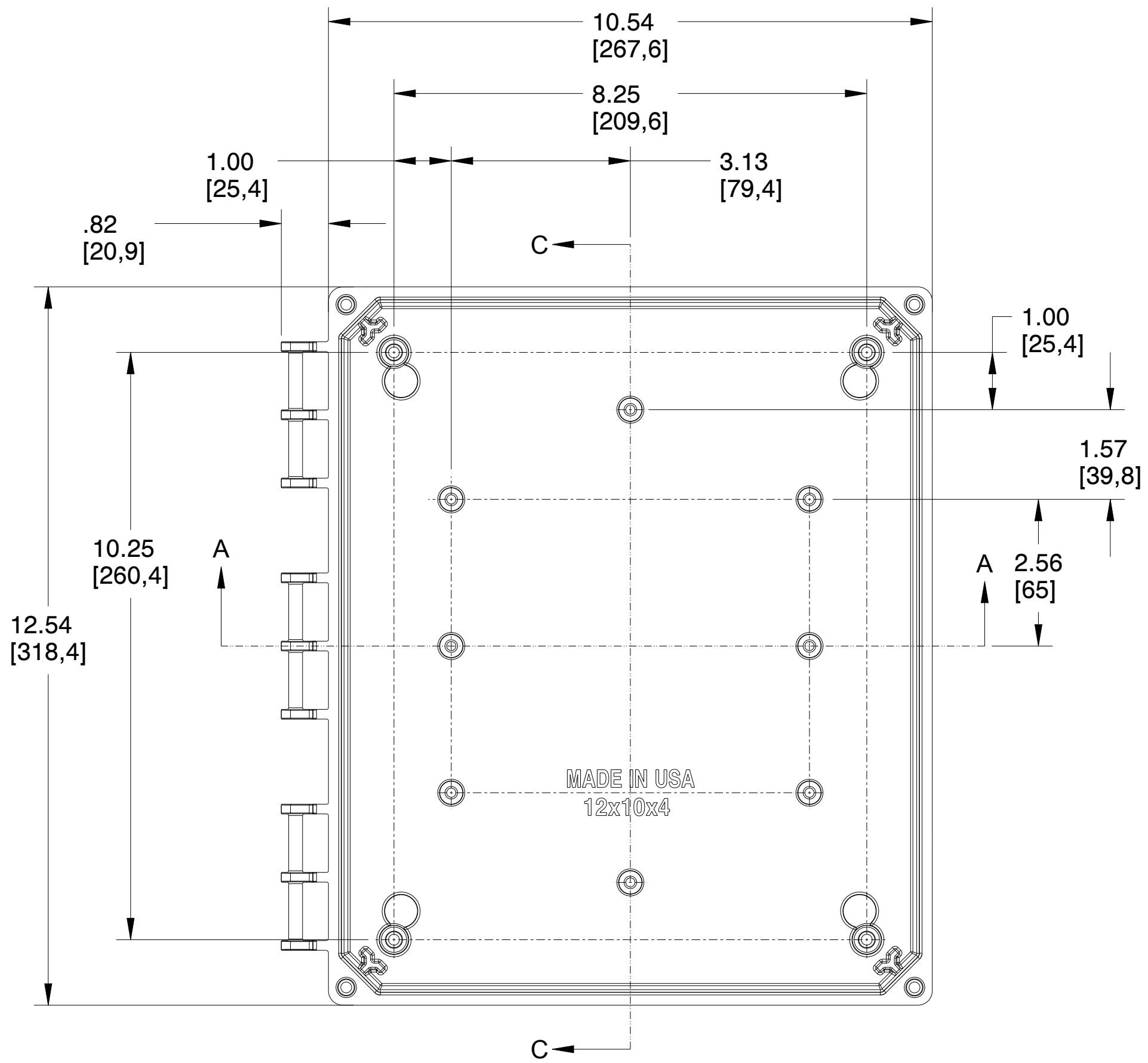
C

B

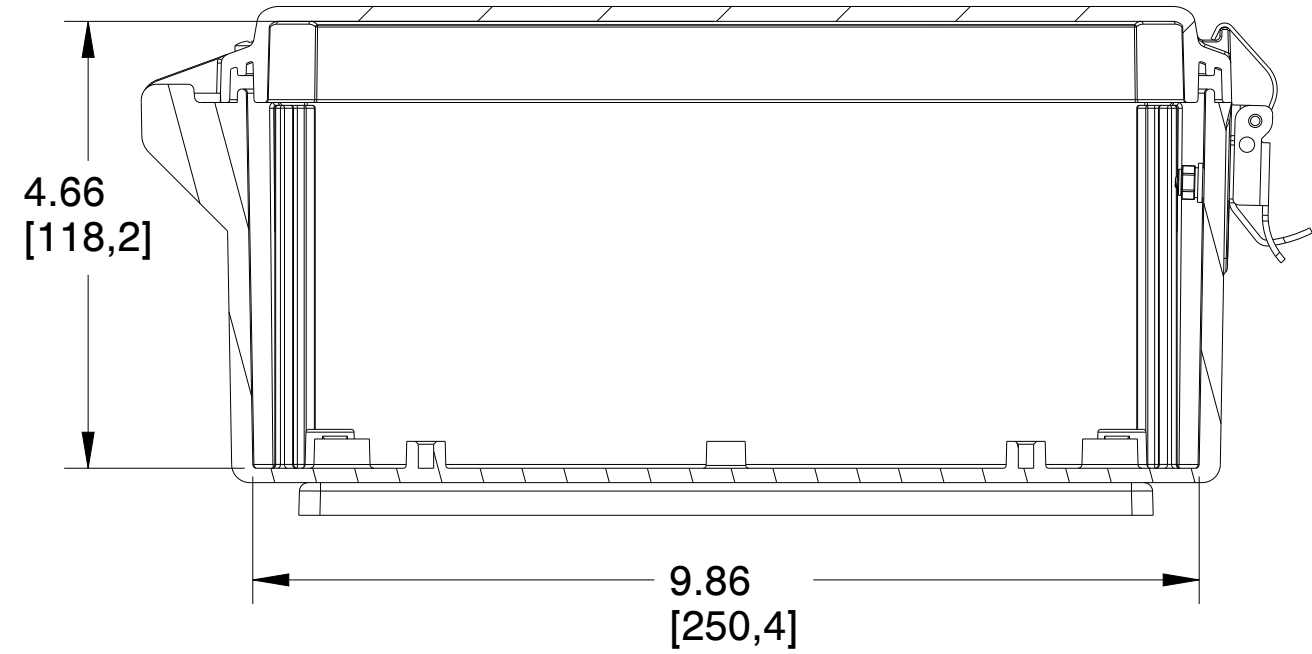
B

A

A



SECTION C-C



SECTION A-A

|                          |                |  |  |
|--------------------------|----------------|--|--|
|                          |                | MUM INDUSTRIES<br>8989 TYLER BLVD<br>MENTOR, OHIO, U.S.A.<br>(440) 269-8155 FAX (440) 269-8166 |  |
| SCALE                    | SHEET          | DRAWN BY   |  |
| 0.500                    | 2 of 2         | T.PAUL   |  |
| TITLE                    |                |  |  |
| PREM-12X10X4-HNG-GRY-SLL |                |  |  |
| DATE                     | DRAWING NUMBER | REV  |  |
| 07.29.2021               | H12104HFLL     | A  |  |

UNLESS OTHERWISE SPECIFIED:  
DIMENSIONS ARE IN INCHES (mm)  
AND ARE NOMINAL ONLY

PROPRIETARY AND CONFIDENTIAL:  
THE INFORMATION CONTAINED IN THIS  
DRAWING IS THE SOLE PROPERTY OF  
INTEGRA ENCLOSURES. ANY  
REPRODUCTION IN PART OR AS A  
WHOLE WITHOUT THE WRITTEN  
PERMISSION OF INTEGRA  
ENCLOSURES IS PROHIBITED.

4

3

2

1