

4

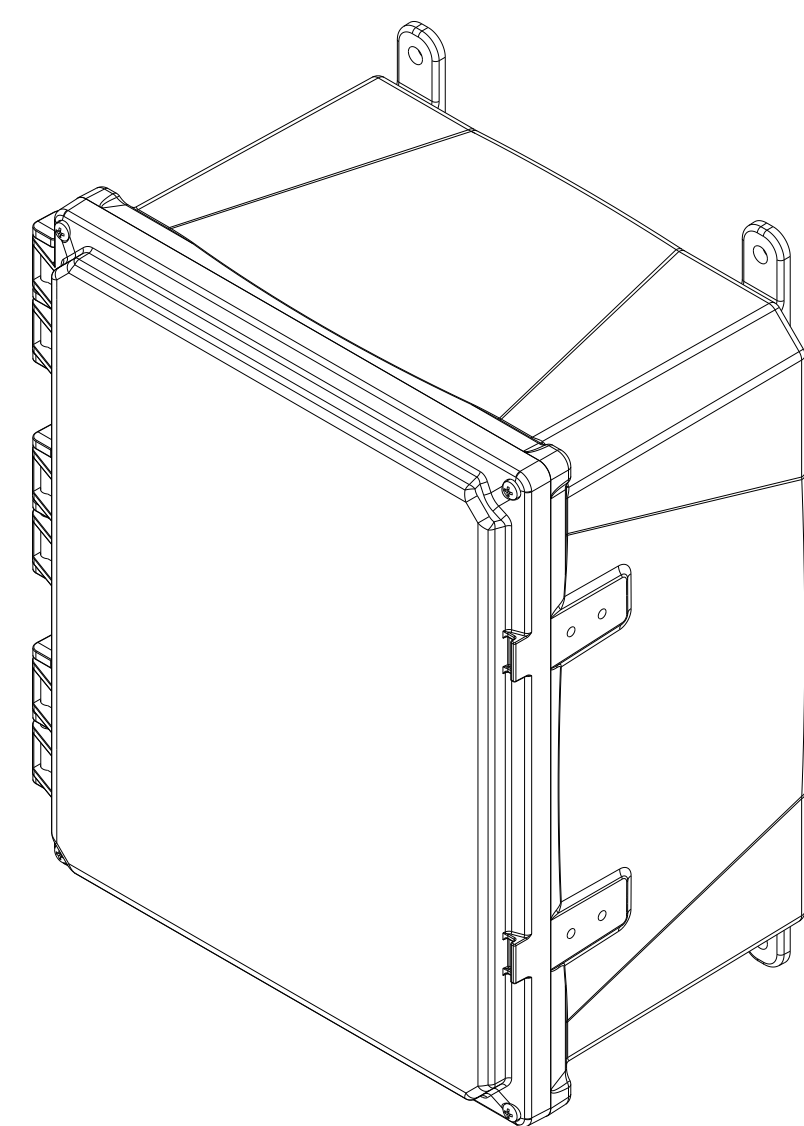
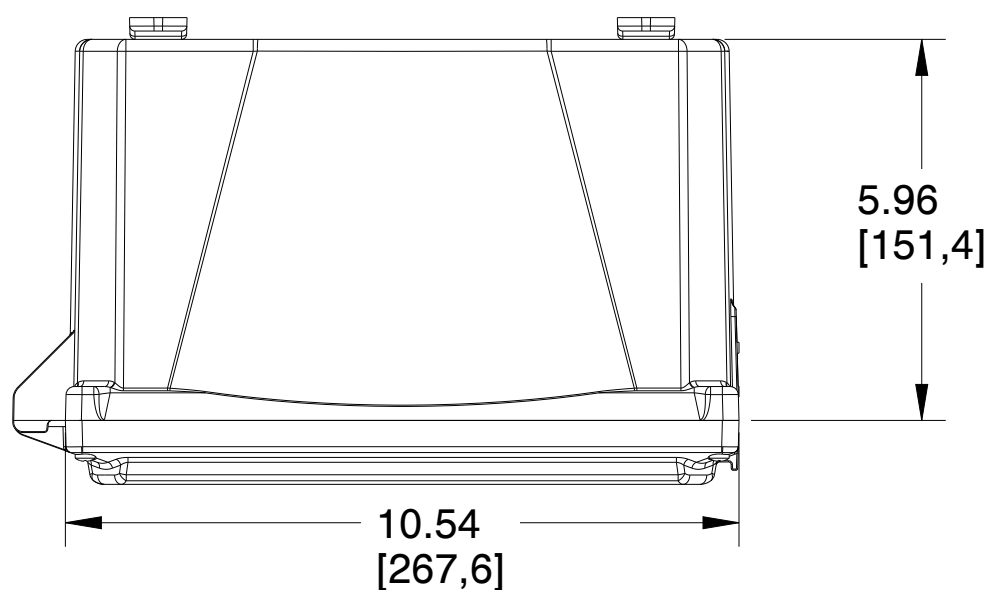
3

2

1

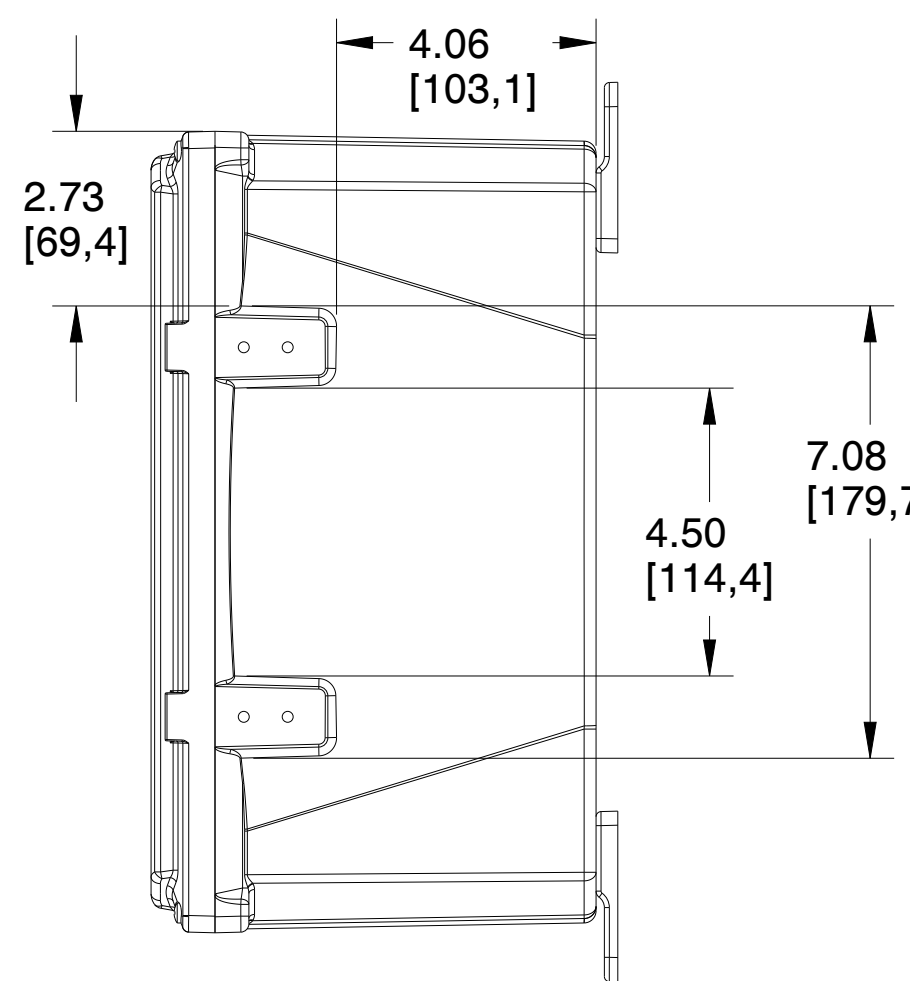
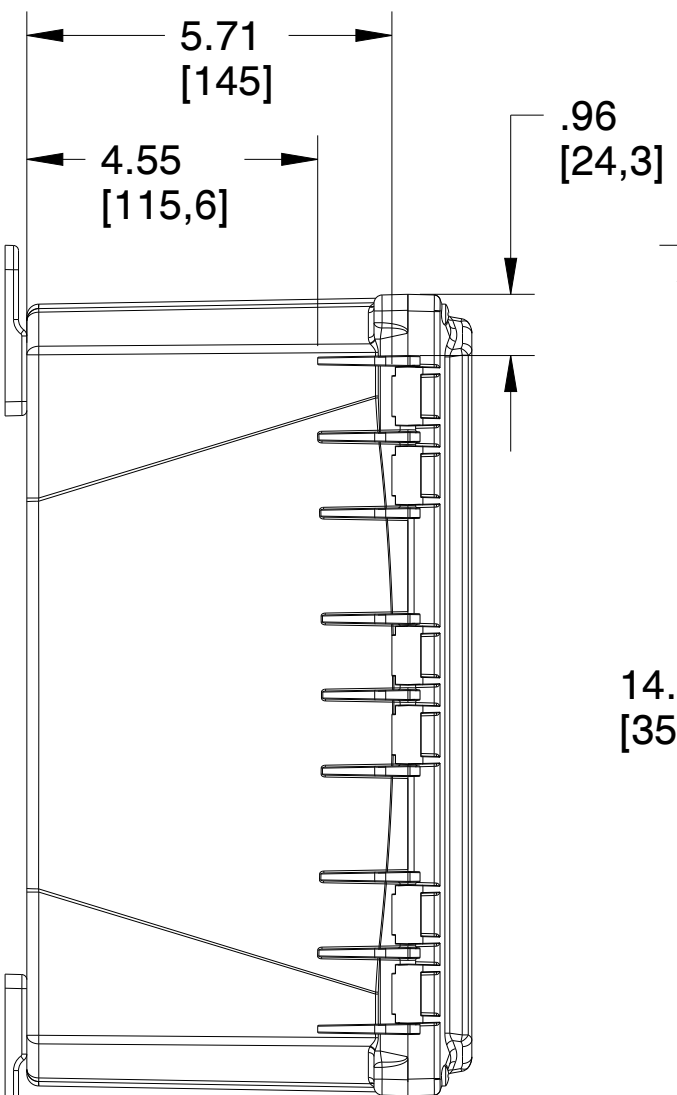
D

D



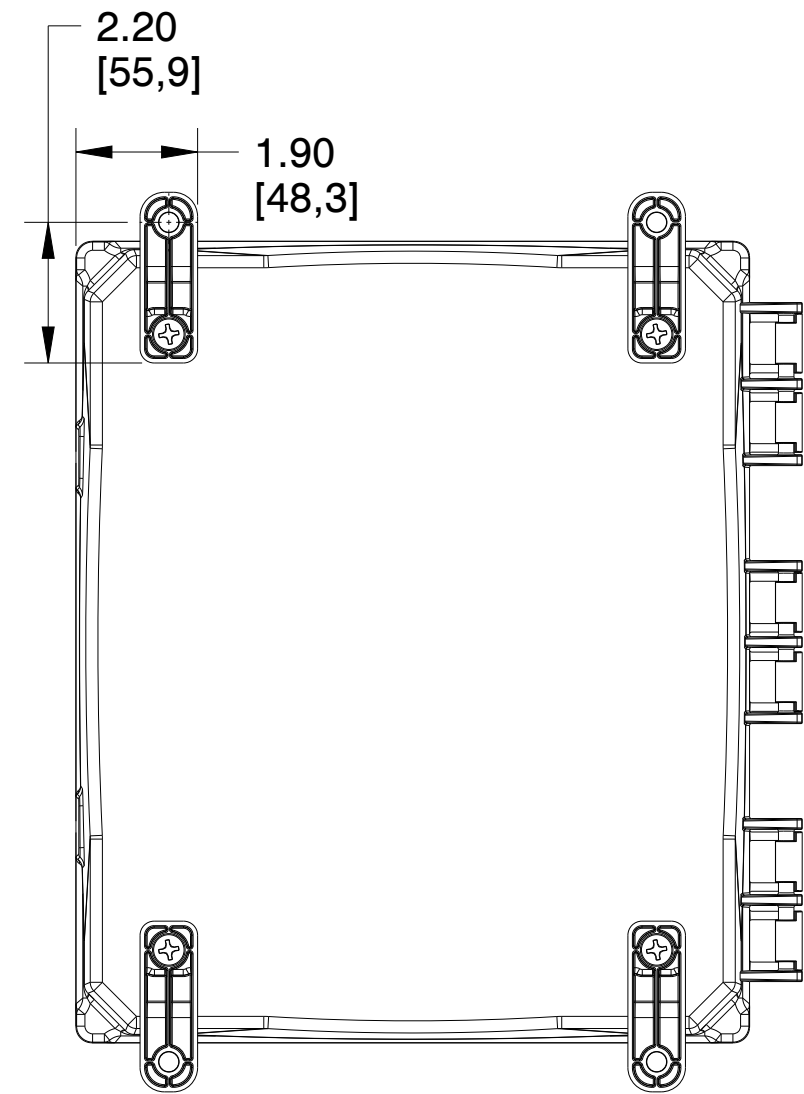
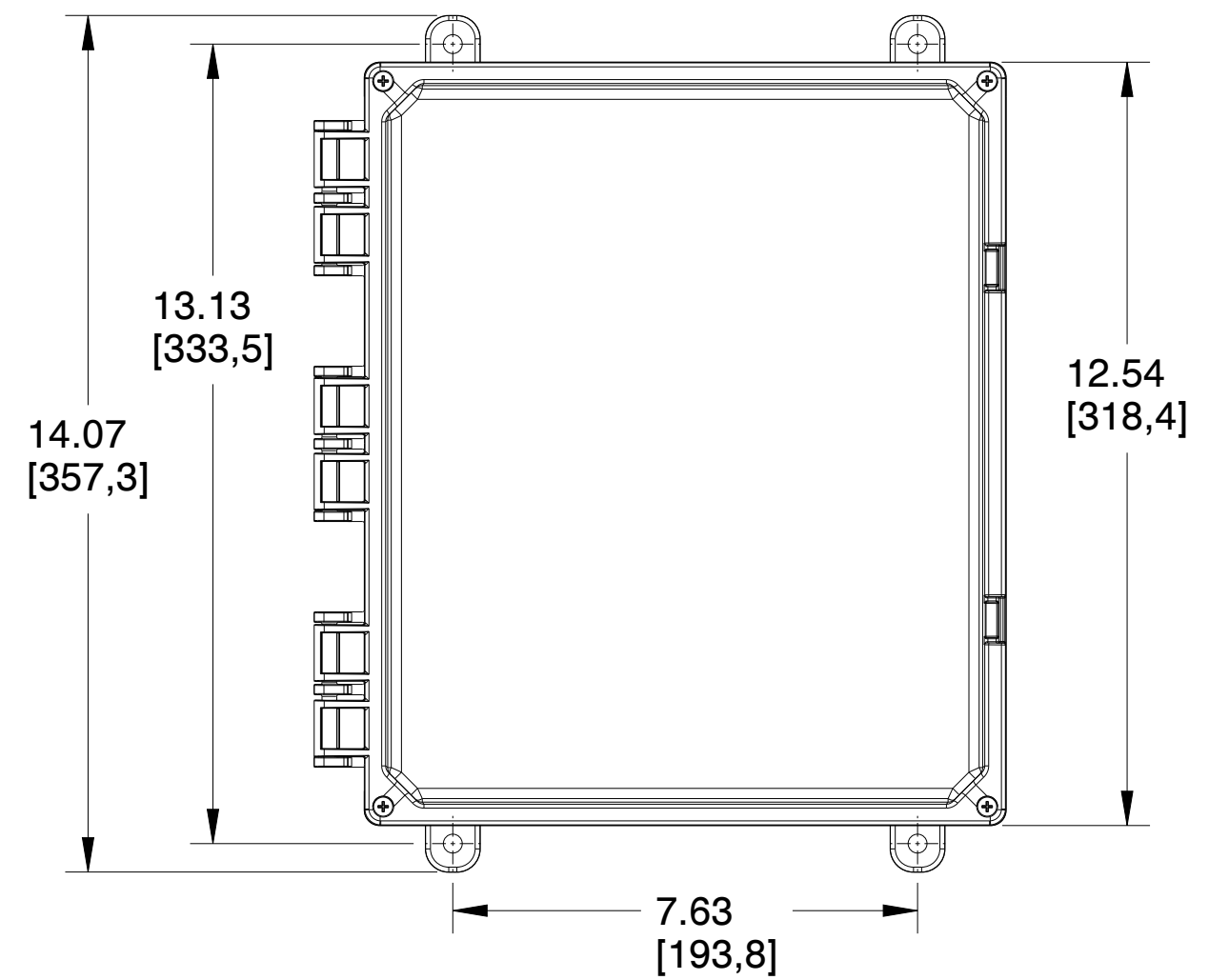
C

C



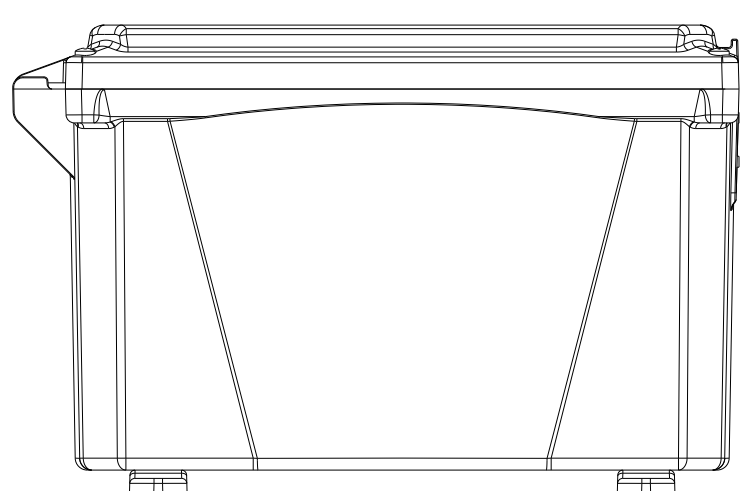
B

B



A

A



| | | | |
|------------------|----------------|--|--|
| | | MUM INDUSTRIES 8989 TYLER BLVD MENTOR, OHIO, U.S.A. (440) 269-8155 FAX (440) 269-8166 | |
| SCALE | SHEET | DRAWN BY | |
| 0.333 | 1 of 2 | T.PAUL | |
| TITLE | | | |
| PREM-12X10X6-HNG | | | |
| DATE | DRAWING NUMBER | REV | |
| 07.20.2021 | H12106H | A | |

UNLESS OTHERWISE SPECIFIED:
DIMENSIONS ARE IN INCHES (mm)
AND ARE NOMINAL ONLY

PROPRIETARY AND CONFIDENTIAL:
THE INFORMATION CONTAINED IN THIS
DRAWING IS THE SOLE PROPERTY OF
INTEGRA ENCLOSURES. ANY
REPRODUCTION IN PART OR AS A
WHOLE WITHOUT THE WRITTEN
PERMISSION OF INTEGRA
ENCLOSURES IS PROHIBITED.

4

3

2

1

4

3

2

1

D

D

C

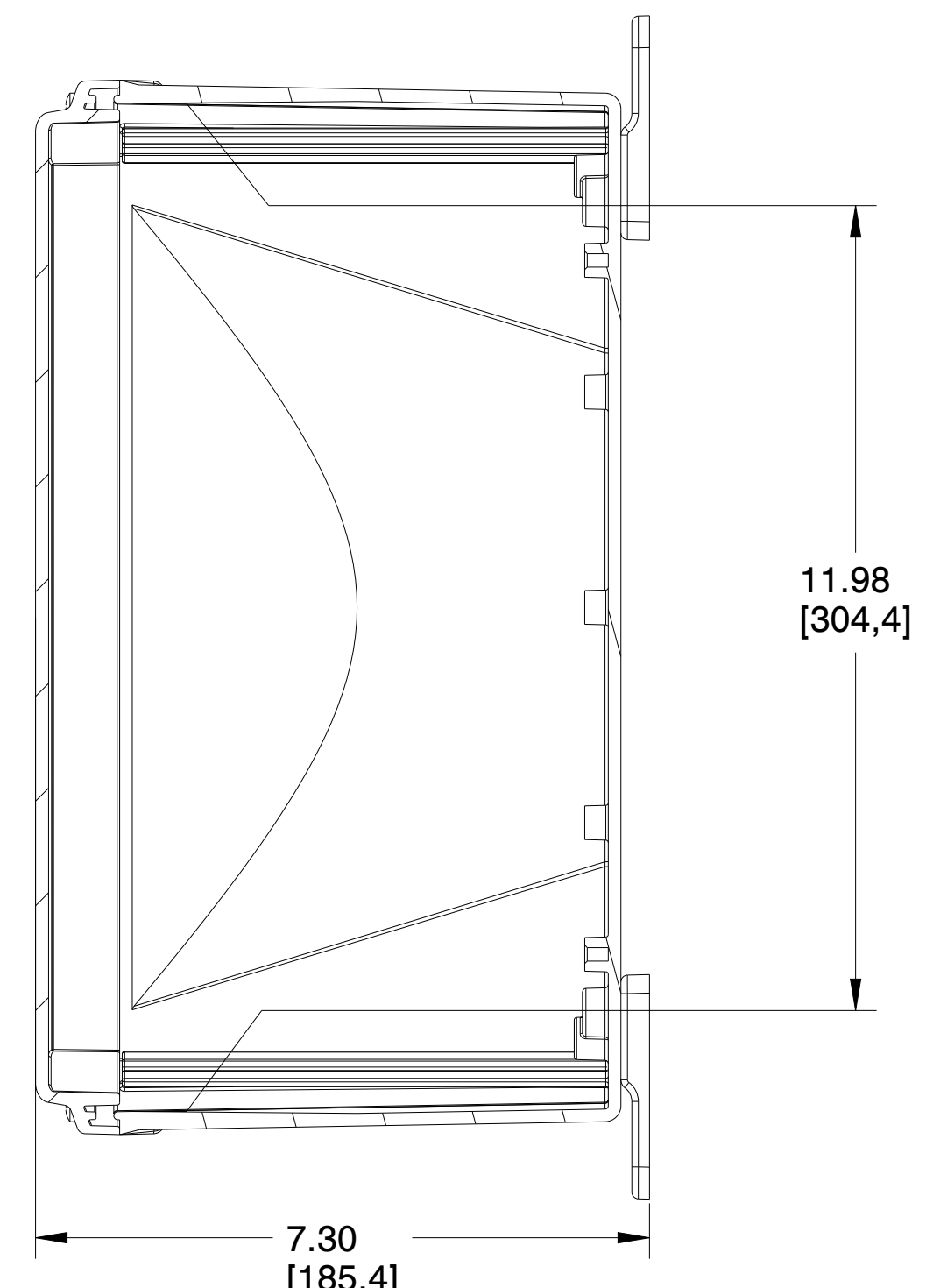
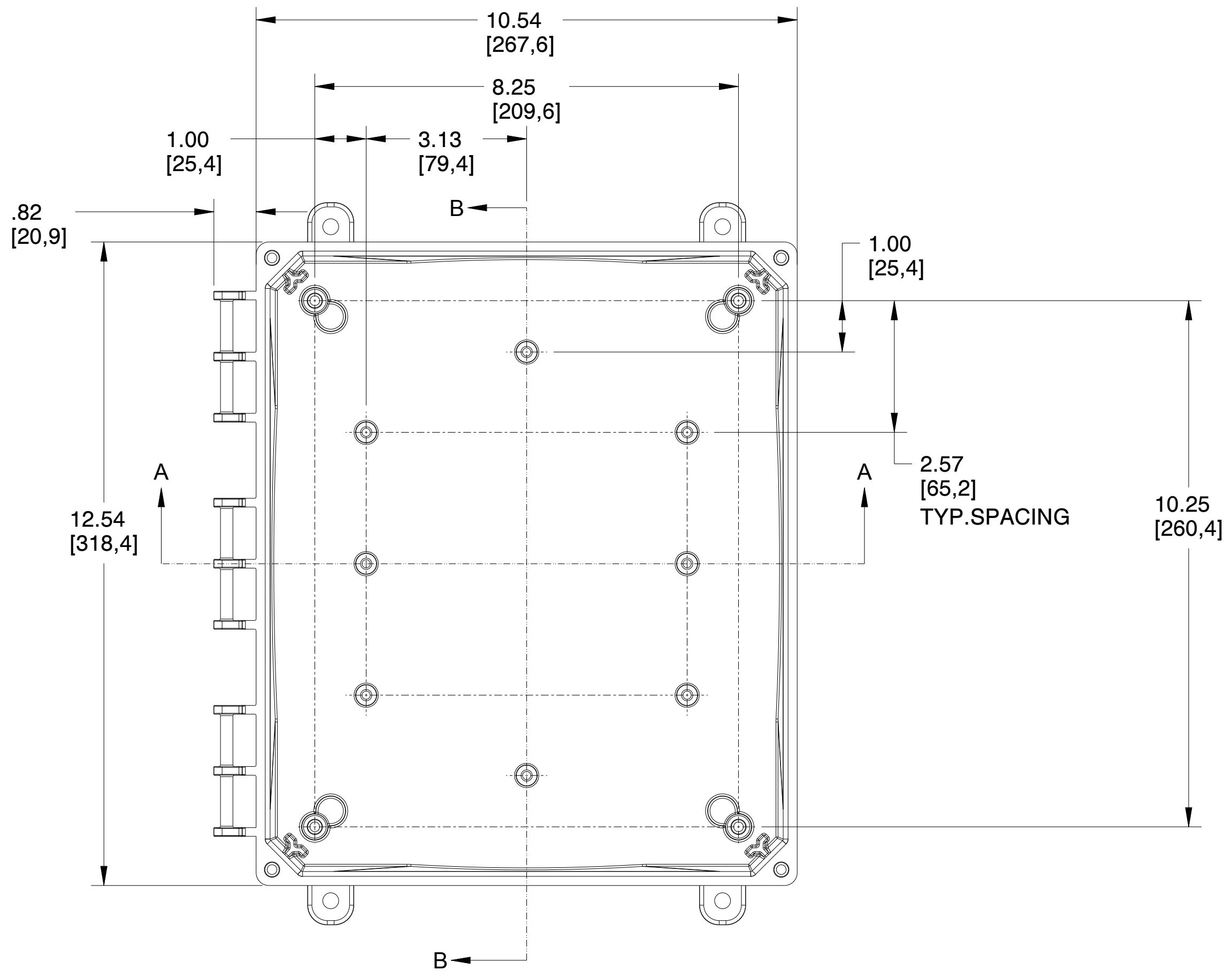
C

B

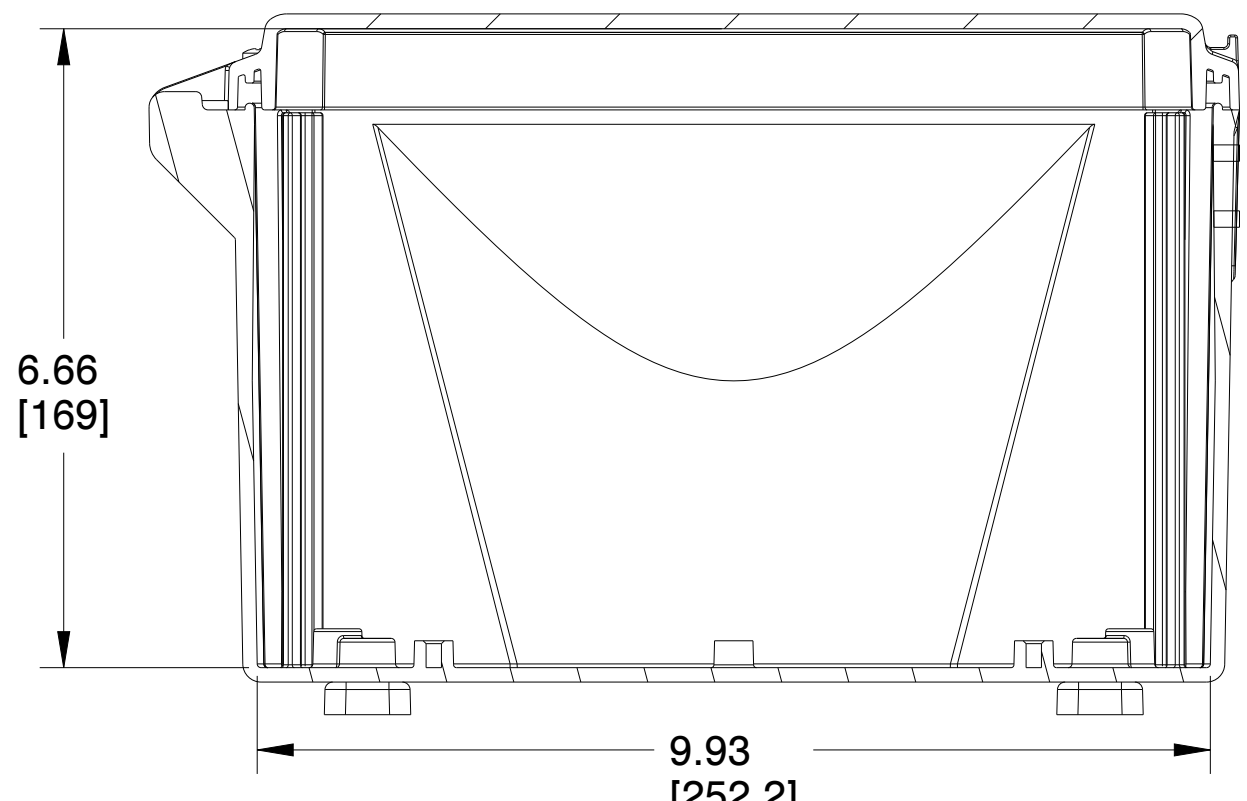
B

A

A



SECTION B-B



SECTION A-A

| | | | |
|------------------|----------------|--|--|
| | | MUM INDUSTRIES 8989 TYLER BLVD MENTOR, OHIO, U.S.A. (440) 269-8155 FAX (440) 269-8166 | |
| SCALE | SHEET | DRAWN BY | |
| 0.500 | 2 of 2 | T.PAUL | |
| TITLE | | | |
| PREM-12X10X6-HNG | | | |
| DATE | DRAWING NUMBER | REV | |
| 07.20.2021 | H12106H | A | |

UNLESS OTHERWISE SPECIFIED:
DIMENSIONS ARE IN INCHES (mm)
AND ARE NOMINAL ONLY

PROPRIETARY AND CONFIDENTIAL:
THE INFORMATION CONTAINED IN THIS
DRAWING IS THE SOLE PROPERTY OF
INTEGRA ENCLOSURES. ANY
REPRODUCTION IN PART OR AS A
WHOLE WITHOUT THE WRITTEN
PERMISSION OF INTEGRA
ENCLOSURES IS PROHIBITED.

4

3

2

1