

4

3

2

1

D

D

C

C

B

B

A

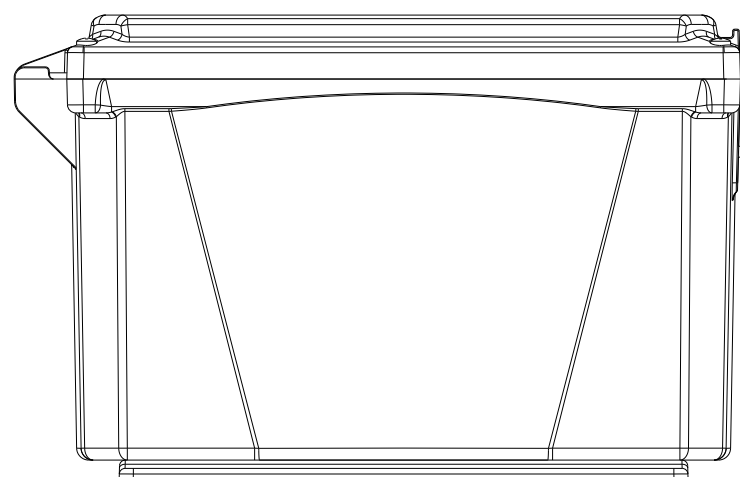
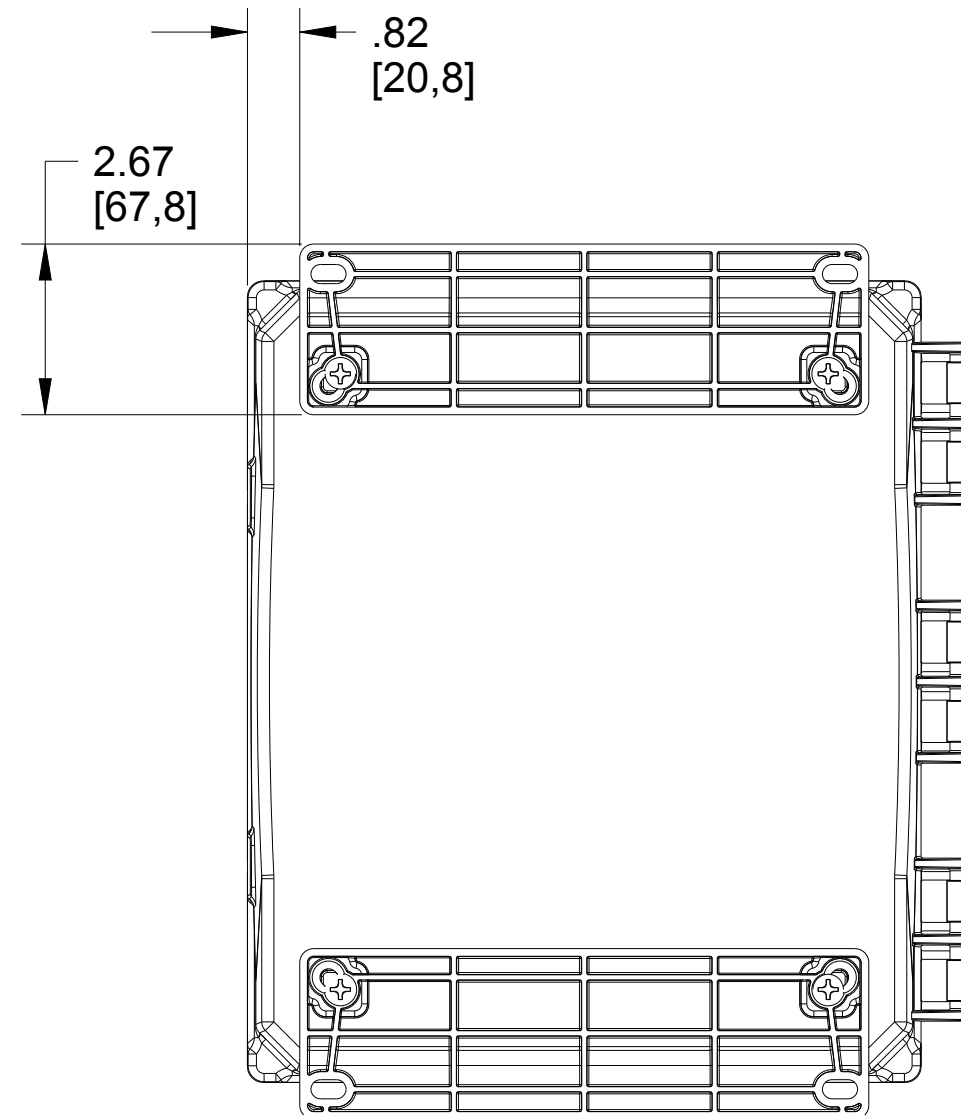
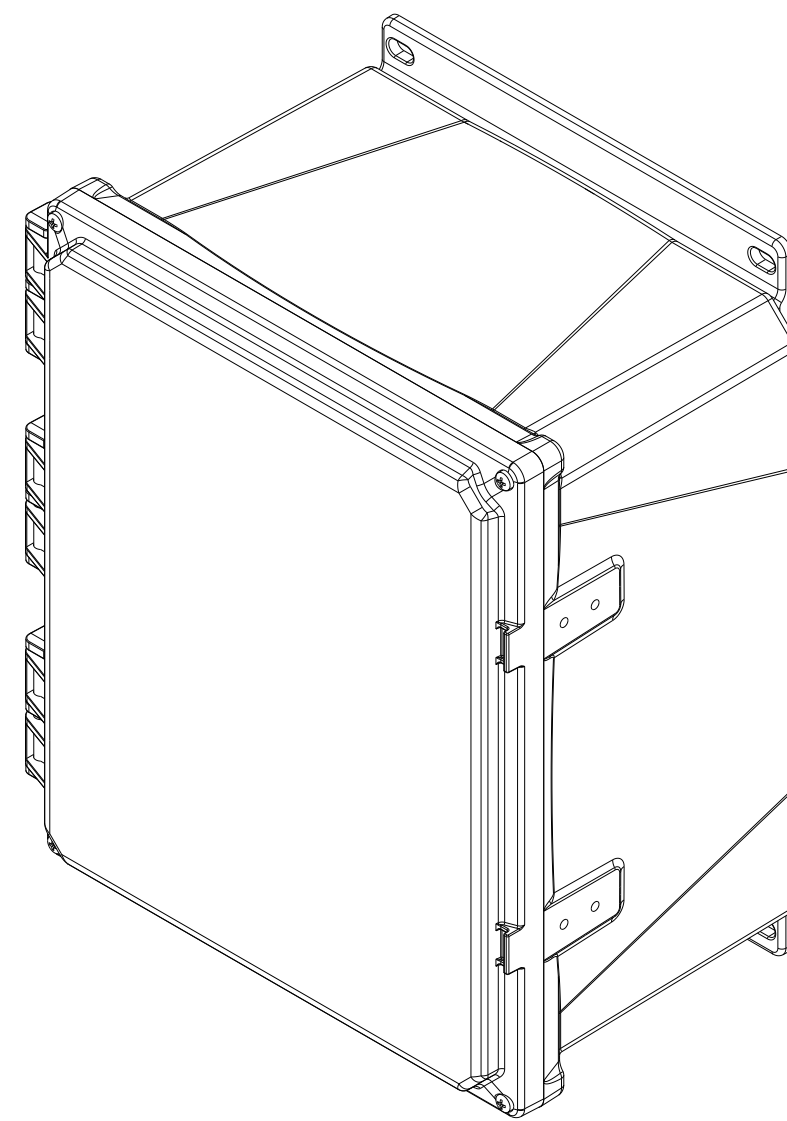
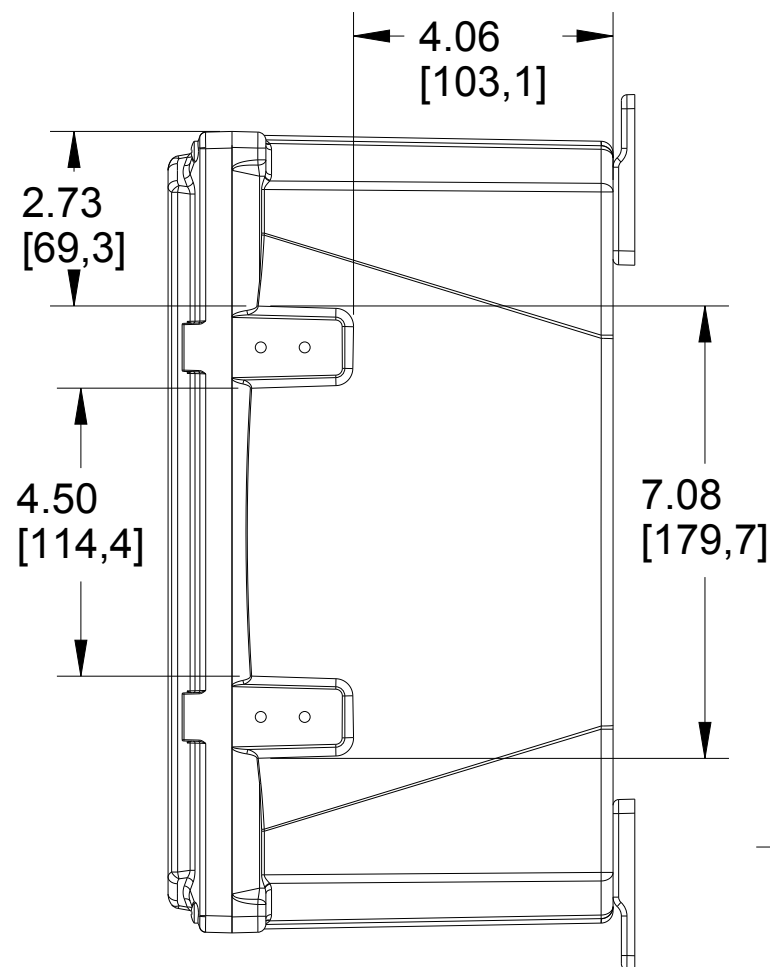
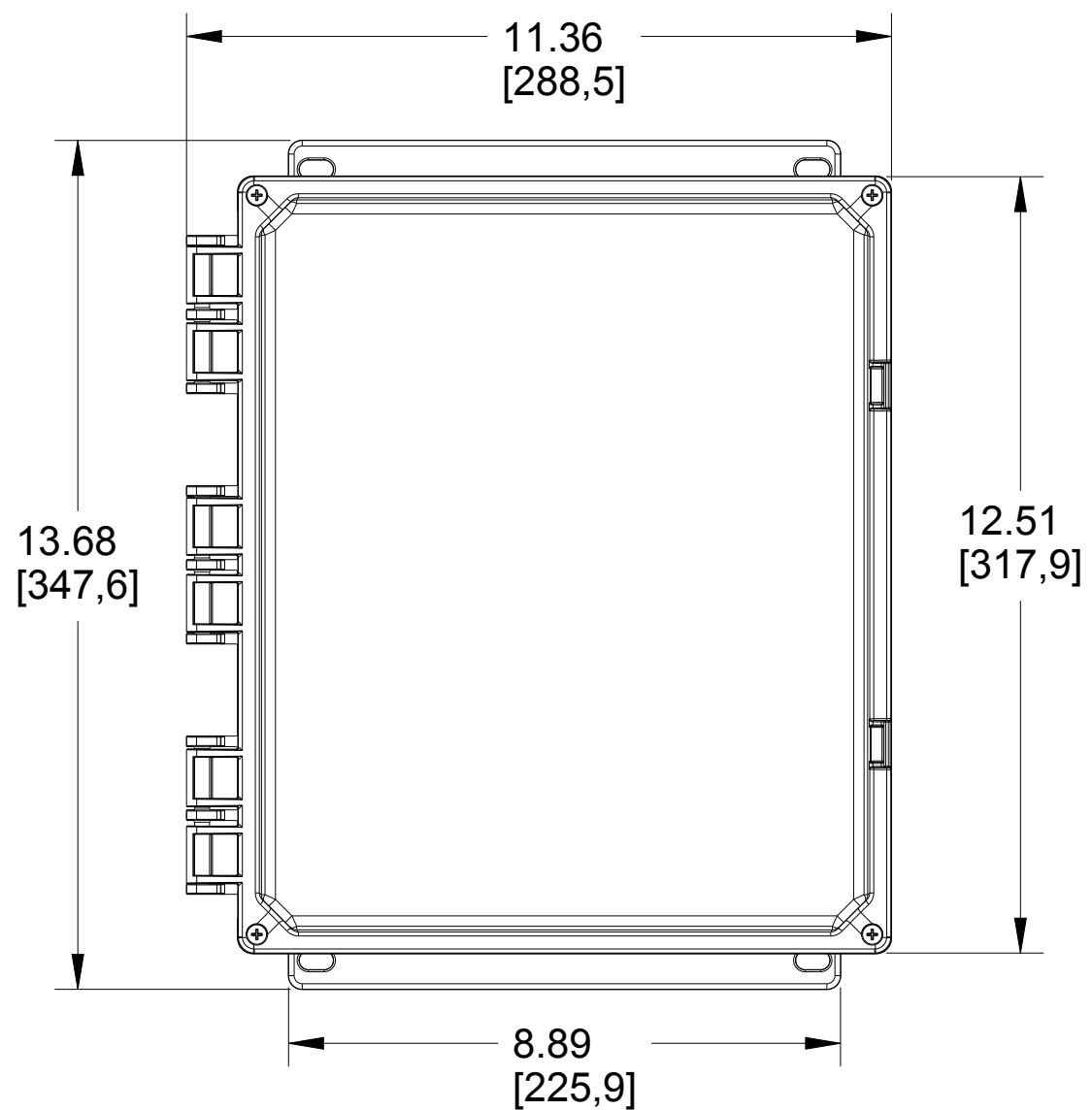
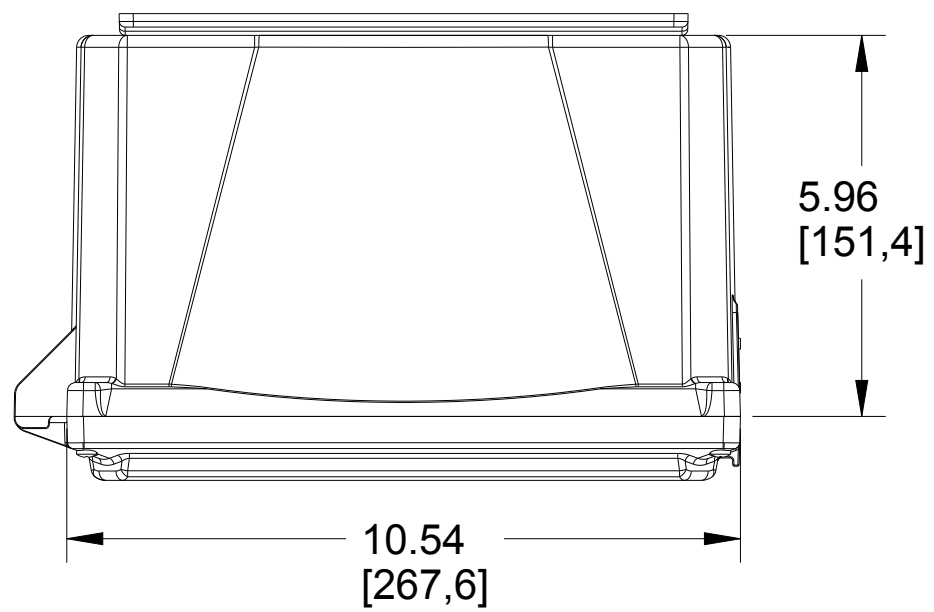
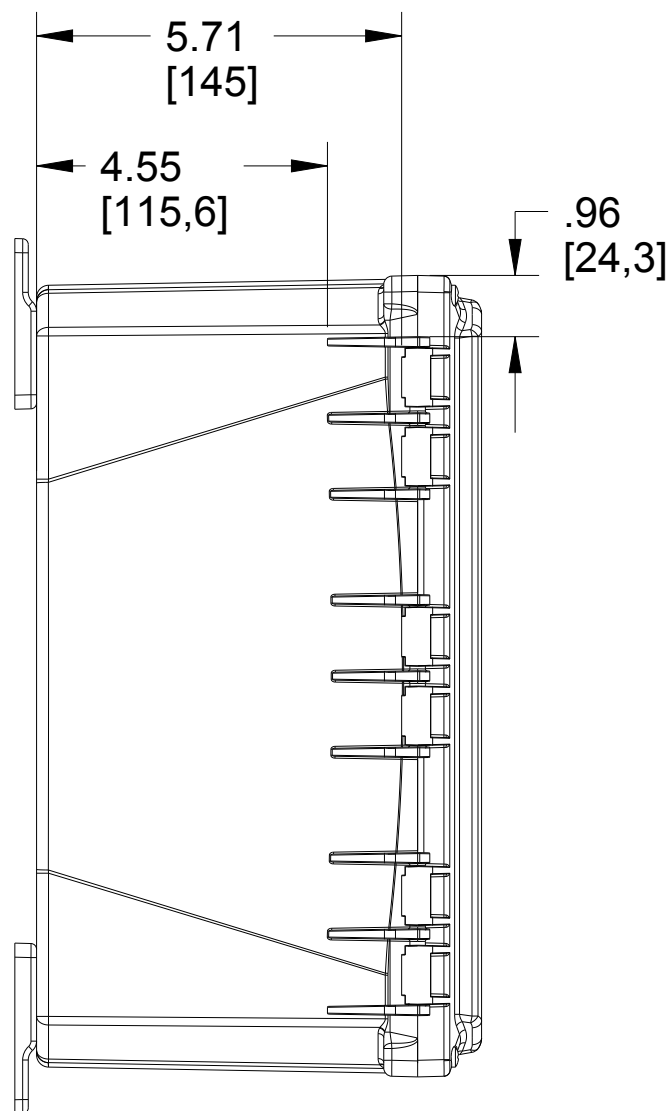
A

4

3

2

1



		MUM INDUSTRIES 8989 TYLER BLVD MENTOR, OHIO, U.S.A. (440) 269-8155 FAX (440) 269-8166	
SCALE	SHEET	DRAWN BY	
0.333	1 of 2	T.PAUL	
TITLE			
PREM-12X10X4-HNG-GRY			
DATE	DRAWING NUMBER	REV	
07.30.2021	H12106H	A	

UNLESS OTHERWISE SPECIFIED:
DIMENSIONS ARE IN INCHES (mm)
AND ARE NOMINAL ONLY

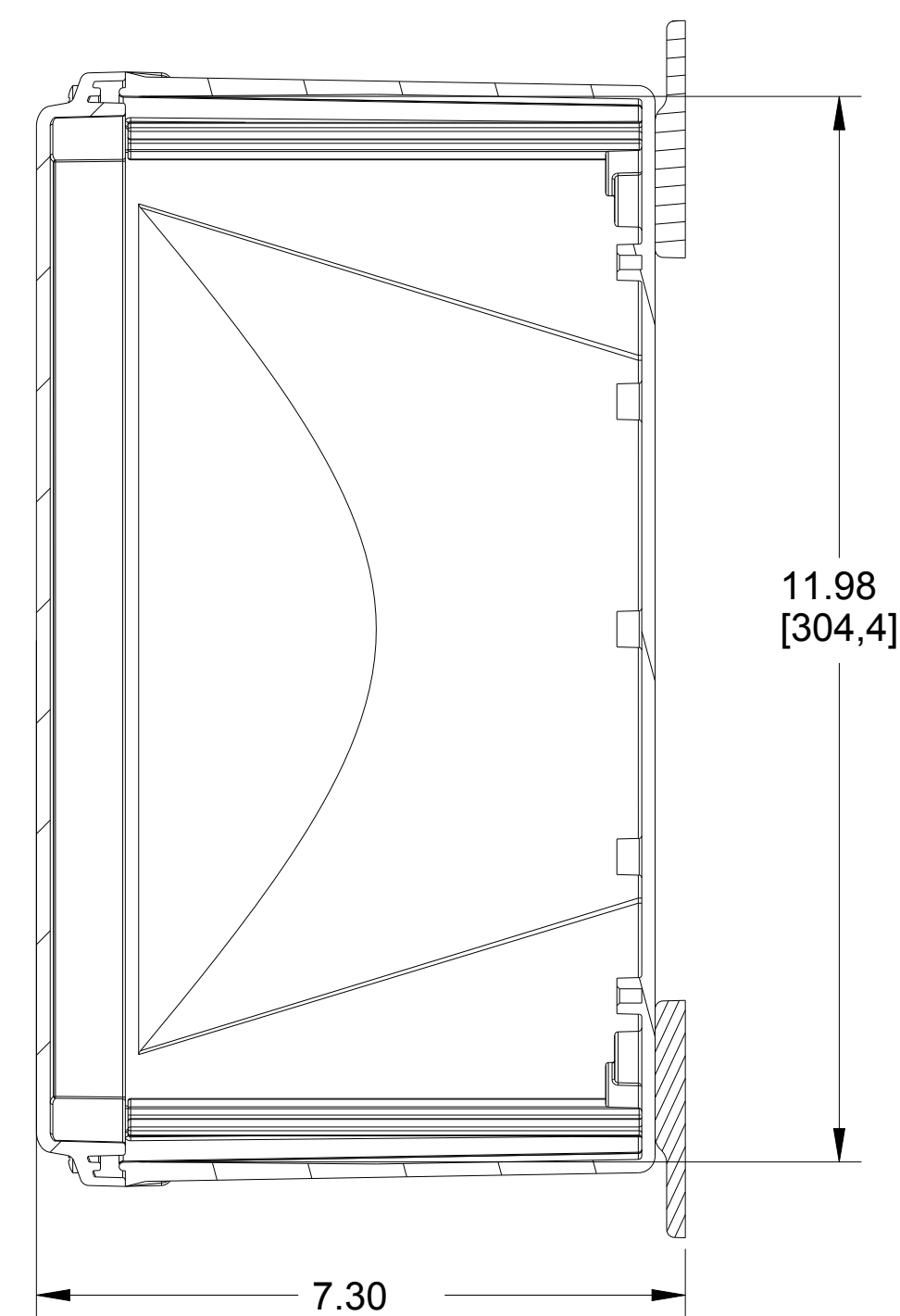
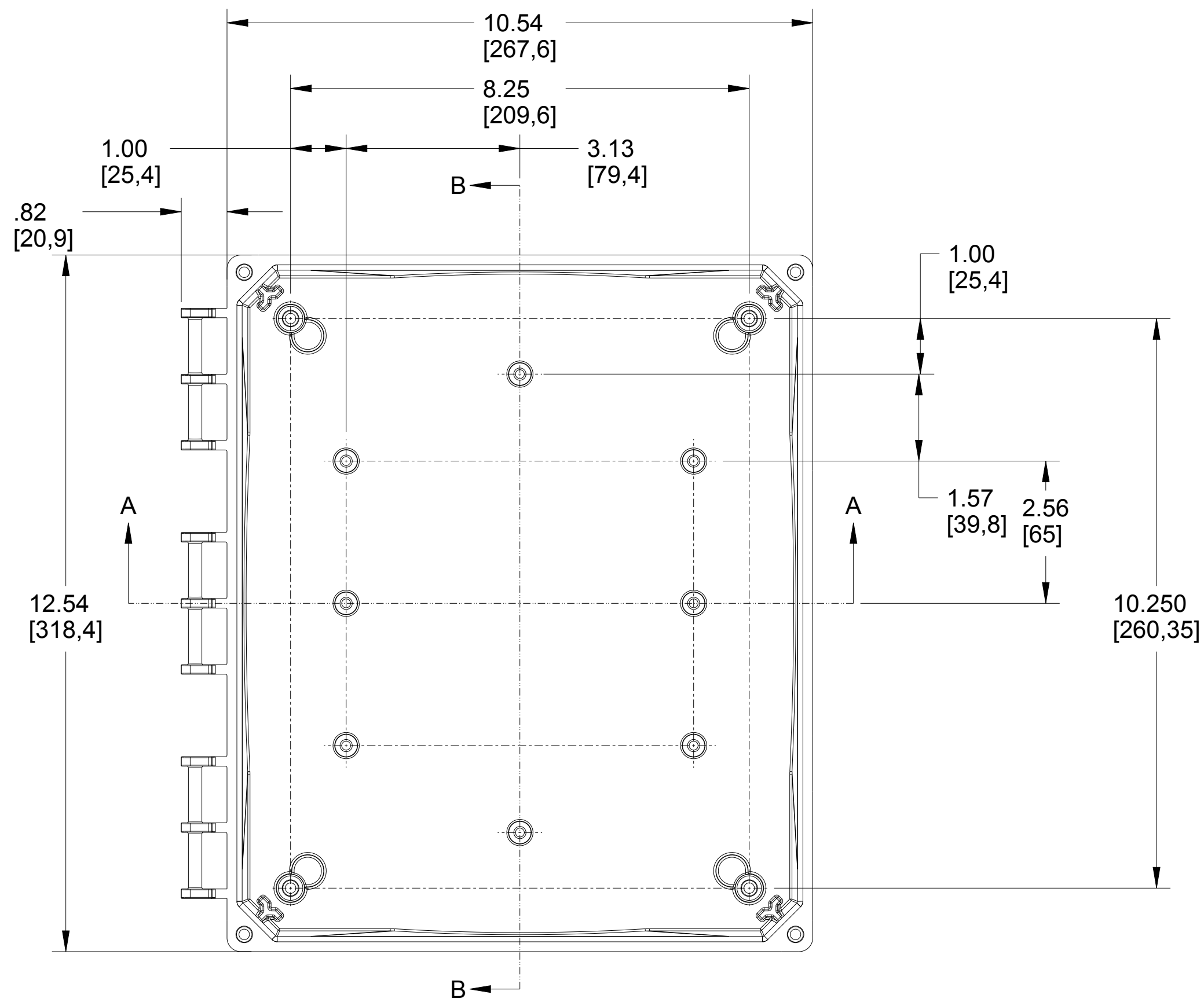
PROPRIETARY AND CONFIDENTIAL:
THE INFORMATION CONTAINED IN THIS
DRAWING IS THE SOLE PROPERTY OF
INTEGRA ENCLOSURES. ANY
REPRODUCTION IN PART OR AS A
WHOLE WITHOUT THE WRITTEN
PERMISSION OF INTEGRA
ENCLOSURES IS PROHIBITED.

4

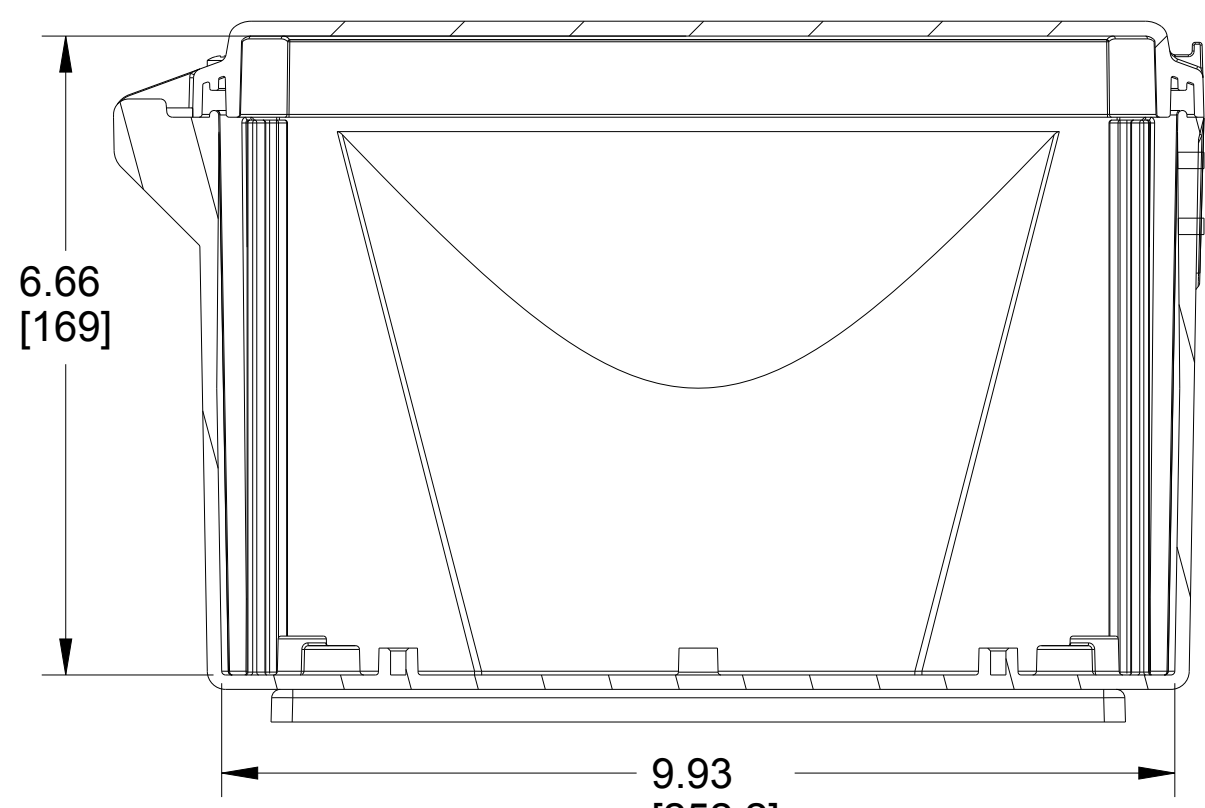
3

2

1



SECTION B-B



SECTION A-A

INTEGRA ENCLOSURES
 MUM INDUSTRIES
 8989 TYLER BLVD
 MENTOR, OHIO, U.S.A.
 (440) 269-8155 FAX (440) 269-8166

SCALE	SHEET	DRAWN BY
0.500	2 of 2	T.PAUL

TITLE	PREM-12X10X4-HNG-GRY	
-------	----------------------	--

DATE	DRAWING NUMBER	REV
07.30.2021	H12106H	A

UNLESS OTHERWISE SPECIFIED:
 DIMENSIONS ARE IN INCHES (mm)
 AND ARE NOMINAL ONLY

PROPRIETARY AND CONFIDENTIAL:
 THE INFORMATION CONTAINED IN THIS
 DRAWING IS THE SOLE PROPERTY OF
 INTEGRA ENCLOSURES. ANY
 REPRODUCTION IN PART OR AS A
 WHOLE WITHOUT THE WRITTEN
 PERMISSION OF INTEGRA
 ENCLOSURES IS PROHIBITED.

4

3

2

1