

4

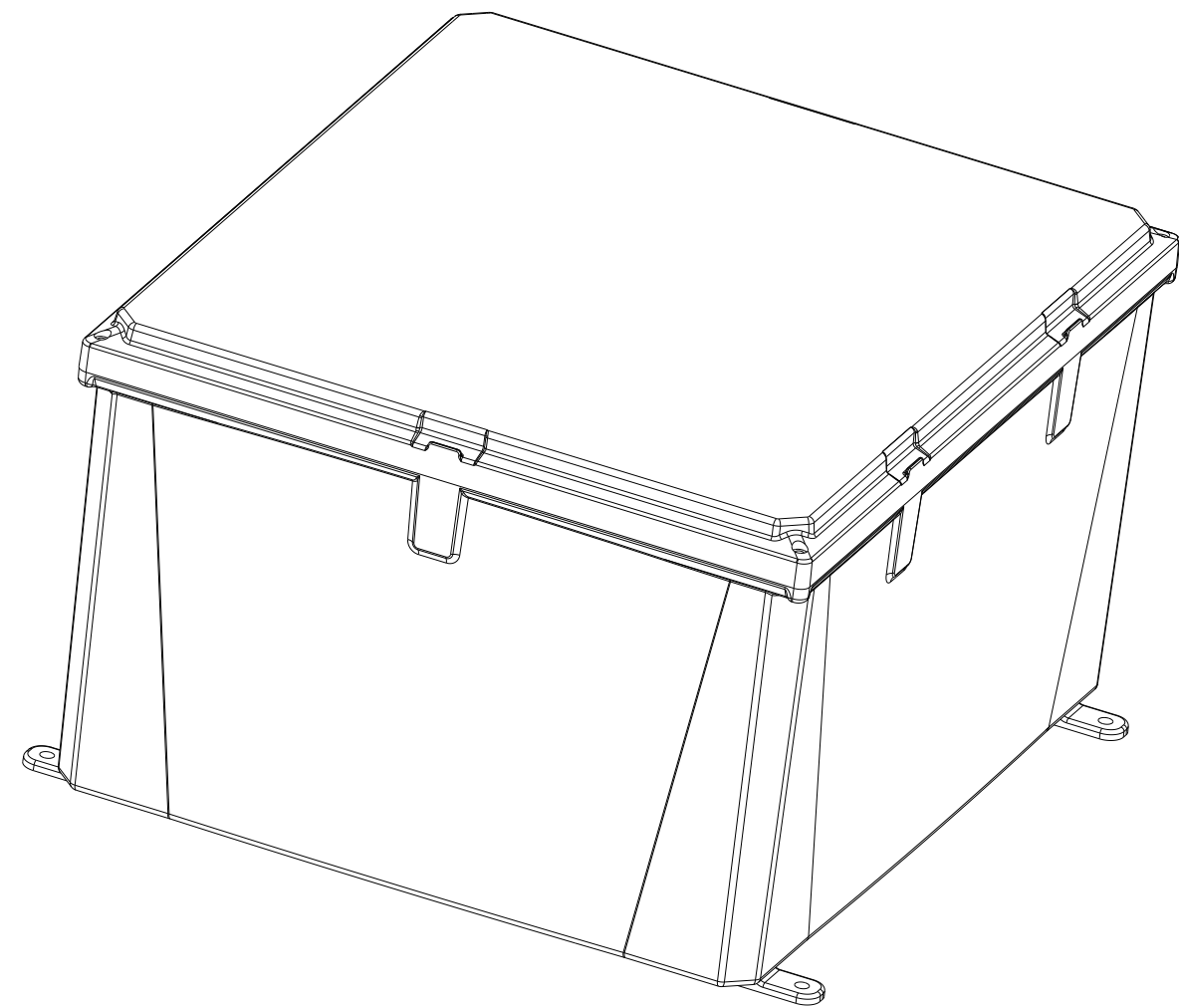
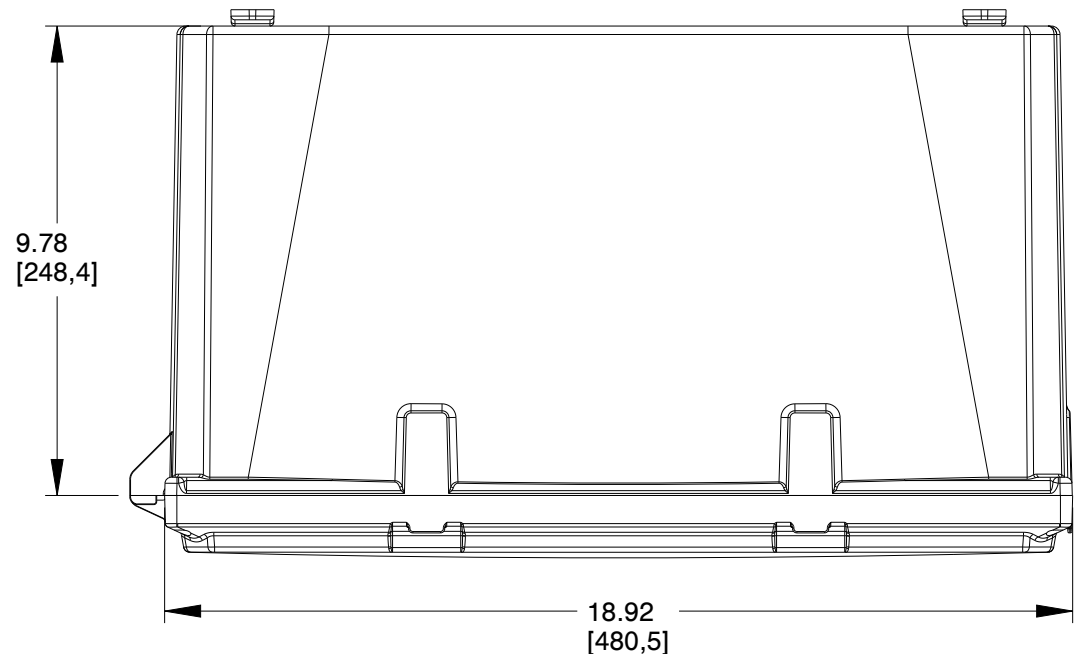
3

2

1

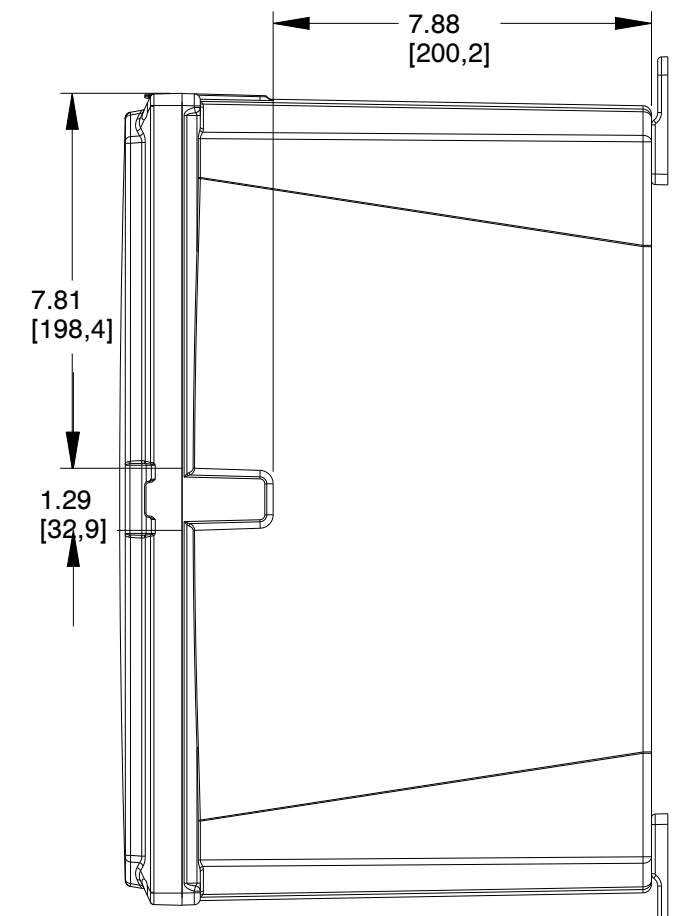
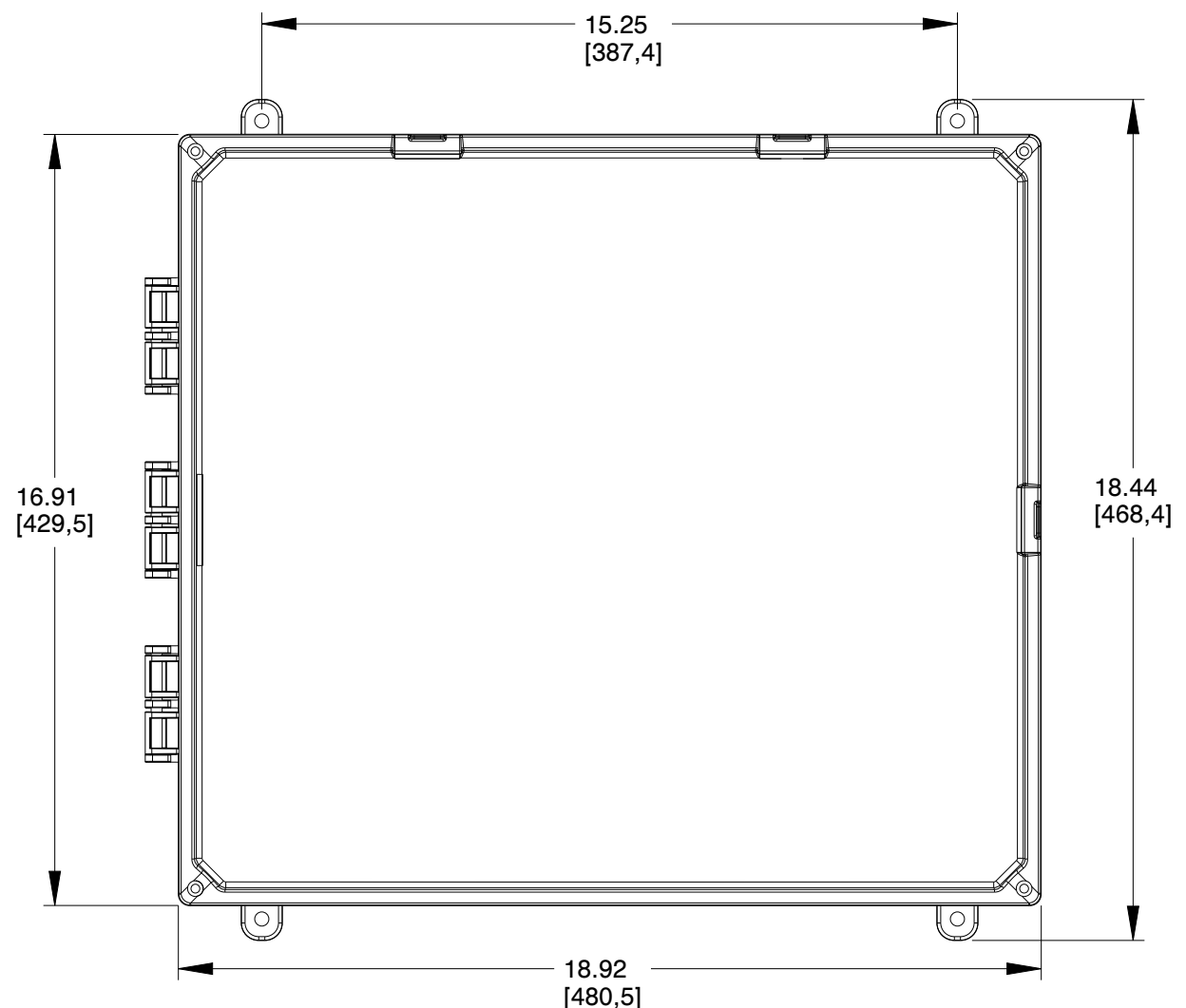
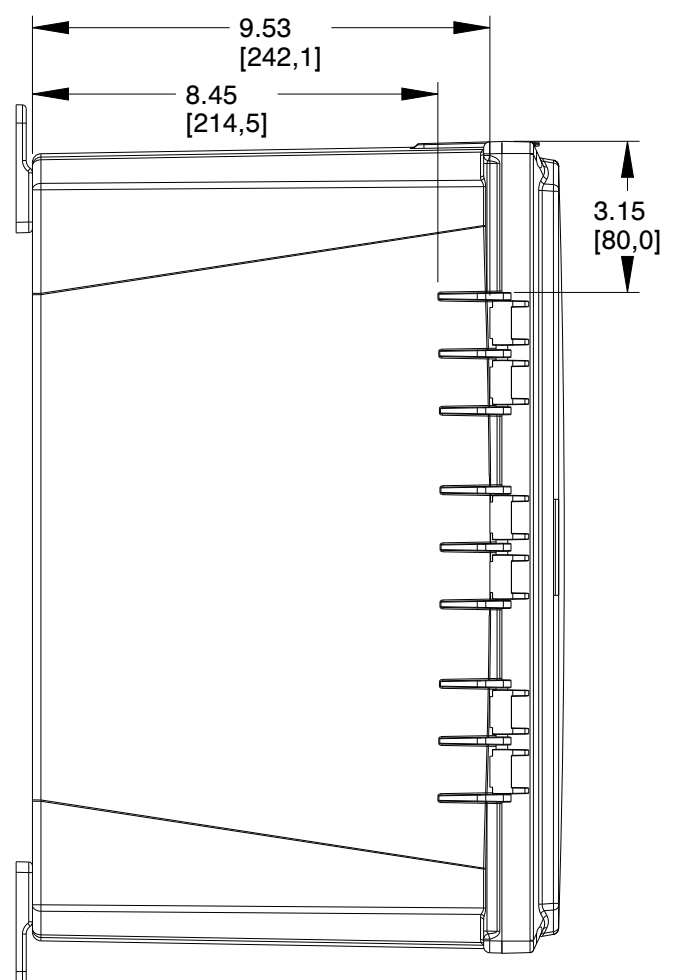
D

D



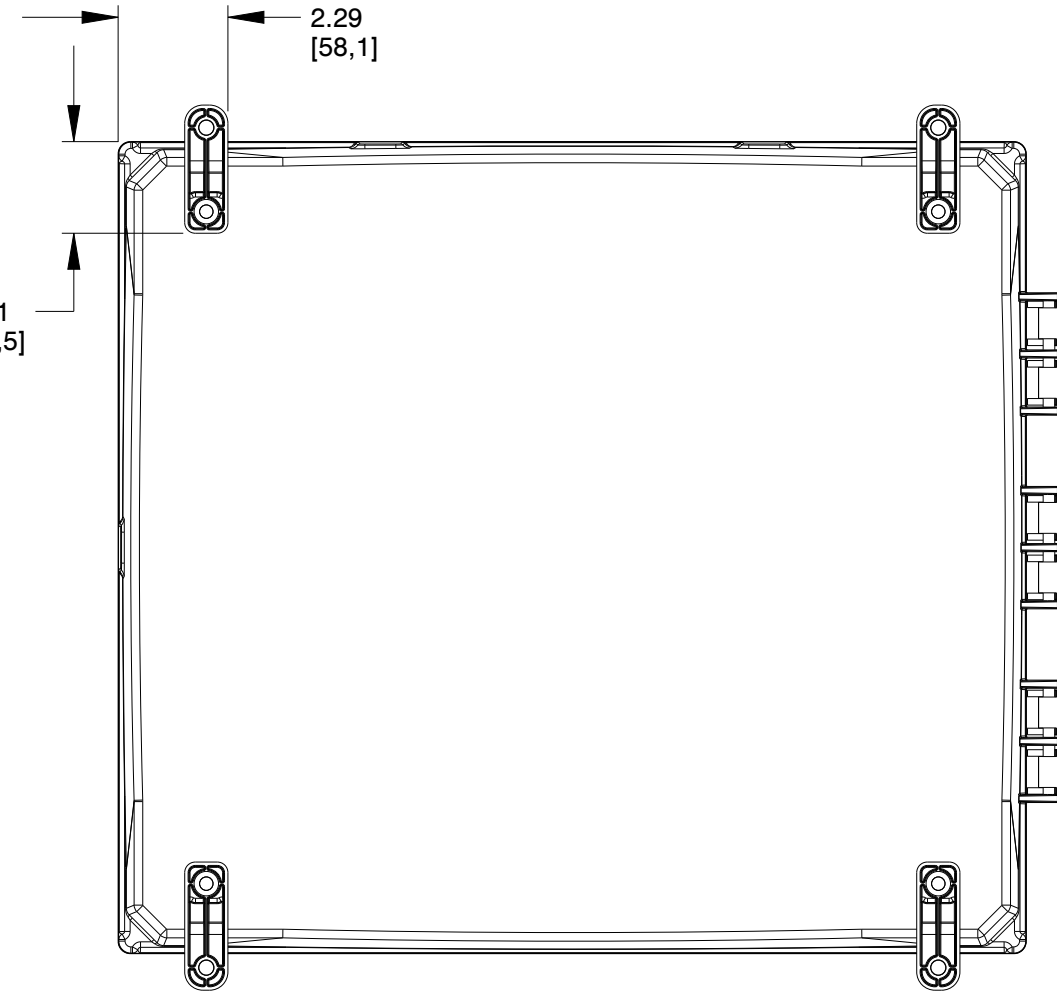
C

C



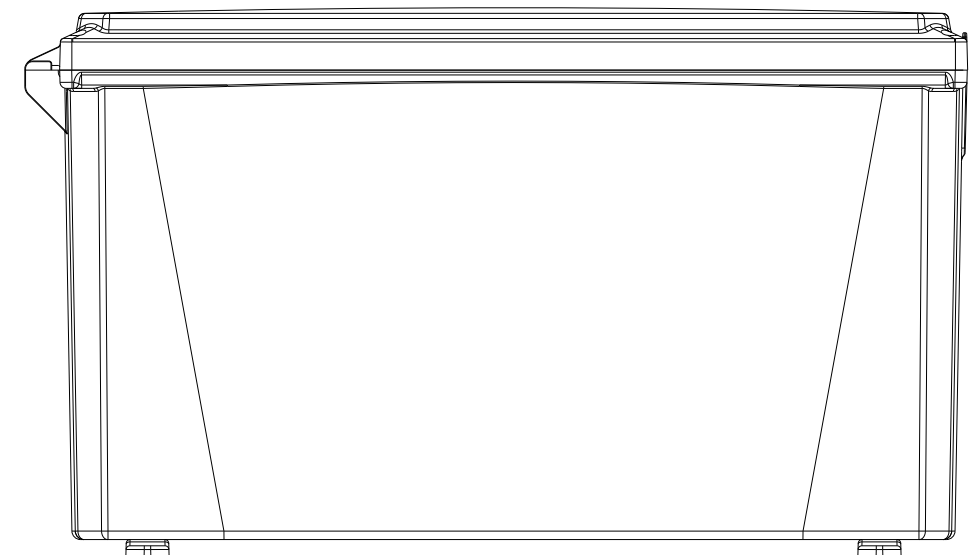
B

B



A

A



INTEGRA ENCLOSURES
MUM INDUSTRIES
8989 TYLER BLVD
MENTOR, OHIO, U.S.A.
(440) 269-8155 FAX (440) 269-8166

SCALE: 0.250 SHEET: 1 OF 2 DRAWN BY: M.HARTEN

TITLE: PREM-16X18X10-HNG-GRY

DATE: 03.16.2022 DRAWING NUMBER: H161810H REV: A

UNLESS OTHERWISE SPECIFIED:
DIMENSIONS ARE IN INCHES (mm)
AND ARE NOMINAL ONLY

PROPRIETARY AND CONFIDENTIAL:
THE INFORMATION CONTAINED IN THIS
DRAWING IS THE SOLE PROPERTY OF
INTEGRA ENCLOSURES. ANY
REPRODUCTION IN PART OR AS A
WHOLE WITHOUT THE WRITTEN
PERMISSION OF INTEGRA
ENCLOSURES IS PROHIBITED.

4

3

2

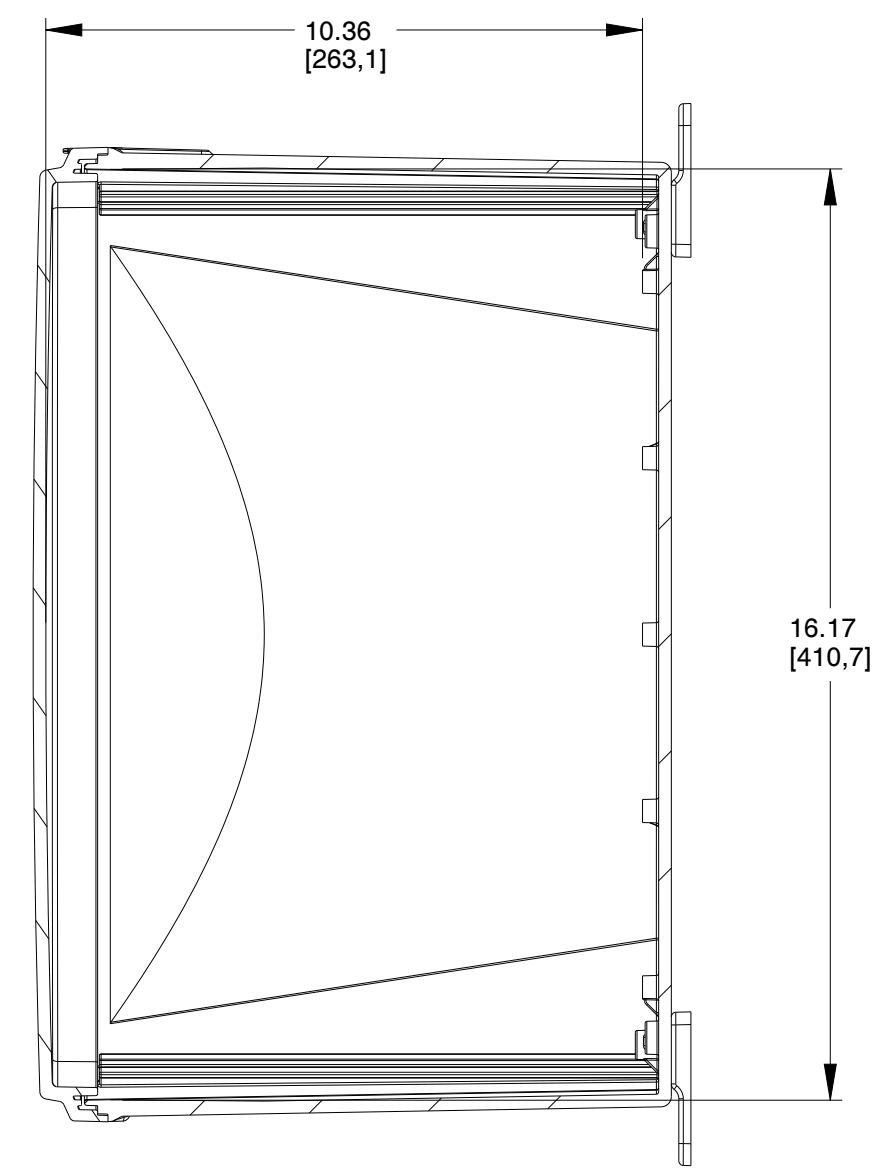
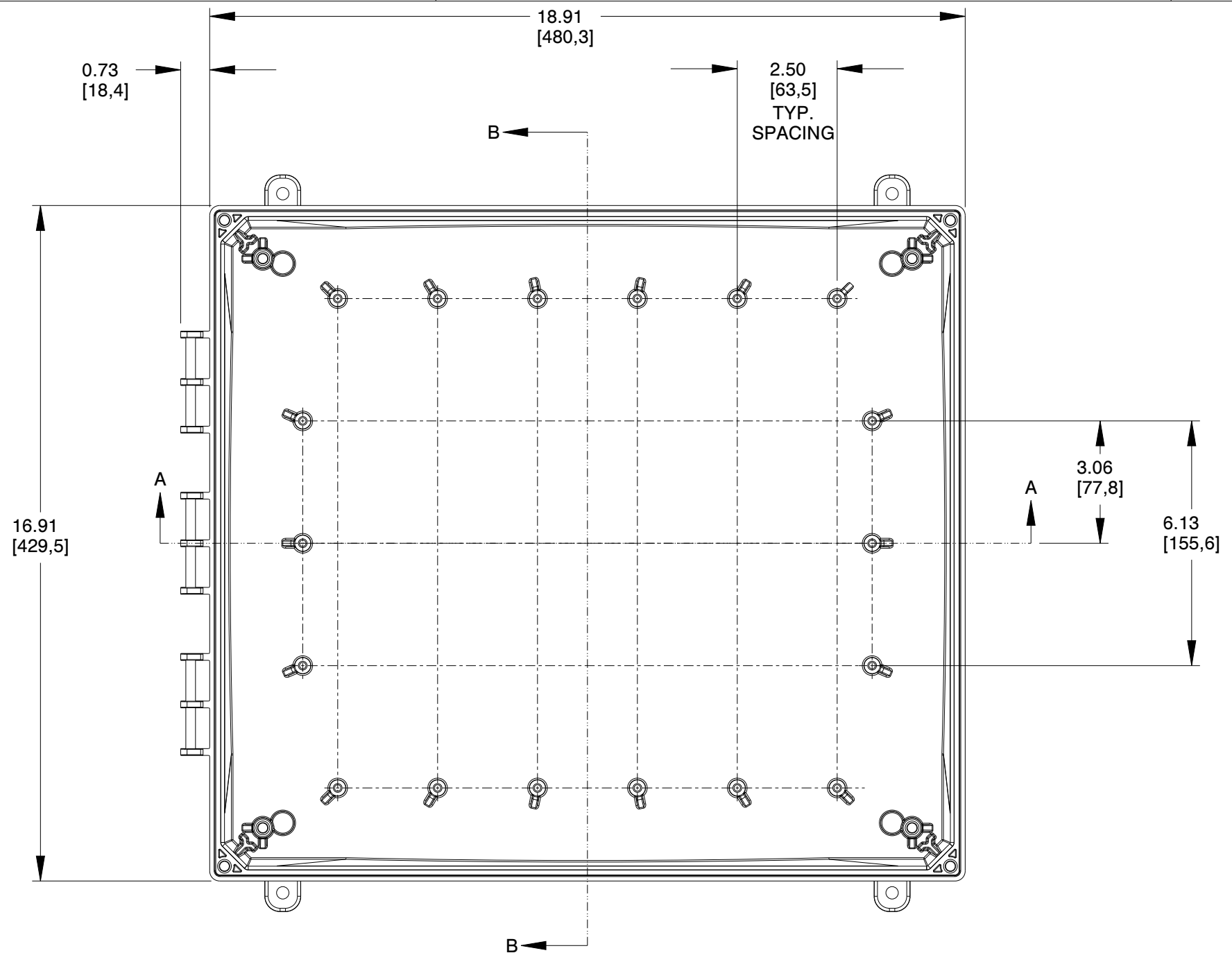
1

4

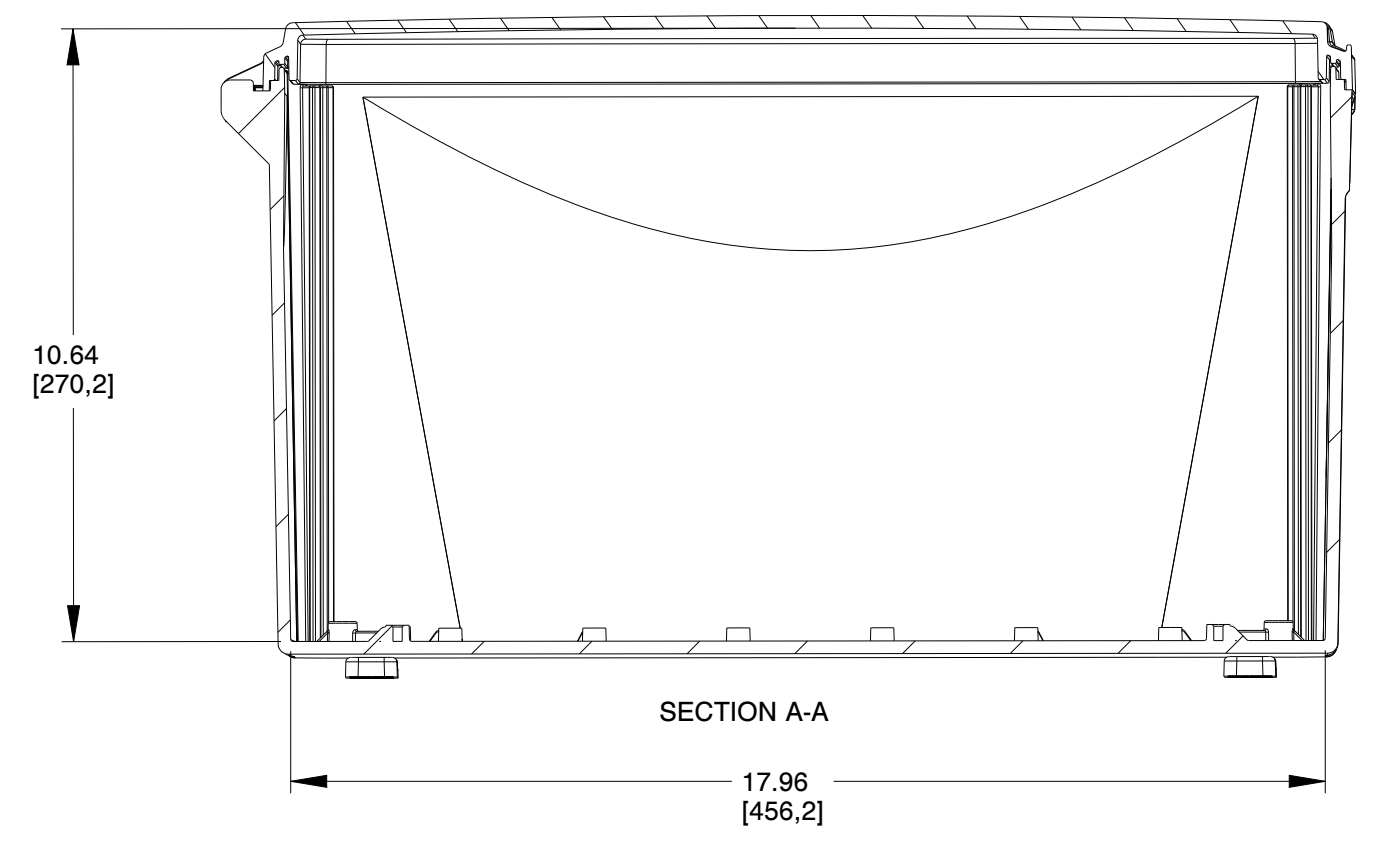
3

2

1



SECTION B-B



SECTION A-A

| | | | |
|-----------------------|--------|--|-------|
| | | MUM INDUSTRIES 8989 TYLER BLVD MENTOR, OHIO, U.S.A. (440) 269-8155 FAX (440) 269-8166 | |
| | | SCALE | SHEET |
| 0.300 | 2 OF 2 | M. HARTEN | |
| TITLE | | | |
| PREM-16X18X10-HNG-GRY | | | |
| DATE | | DRAWING NUMBER | |
| 03.16.2022 | | H161810H | |
| | | | REV |
| | | | A |

4

3

2

1

D

D

C

C

B

B

A

A