

4

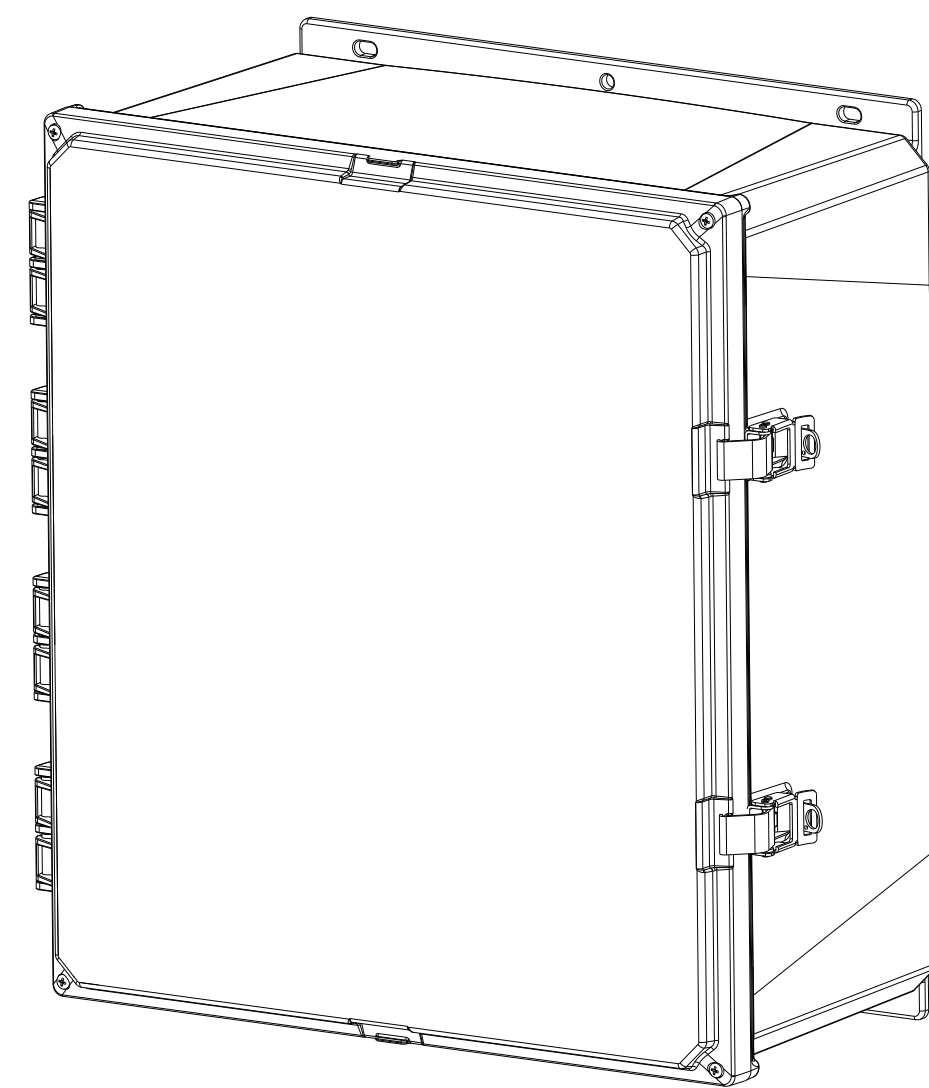
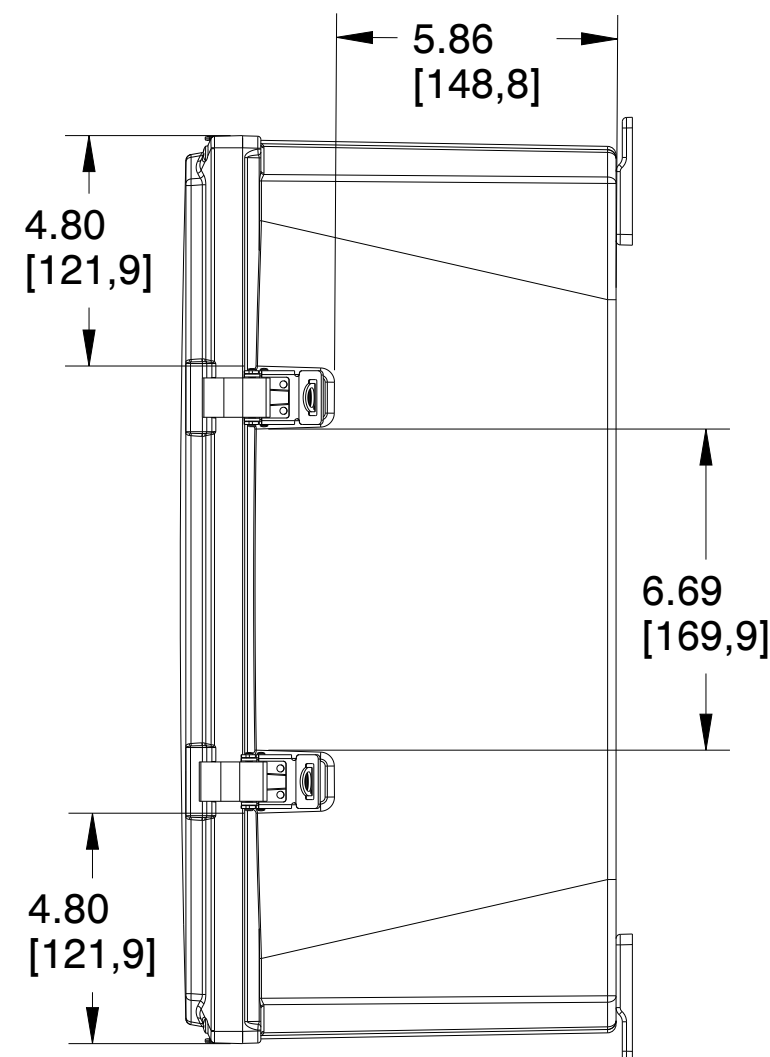
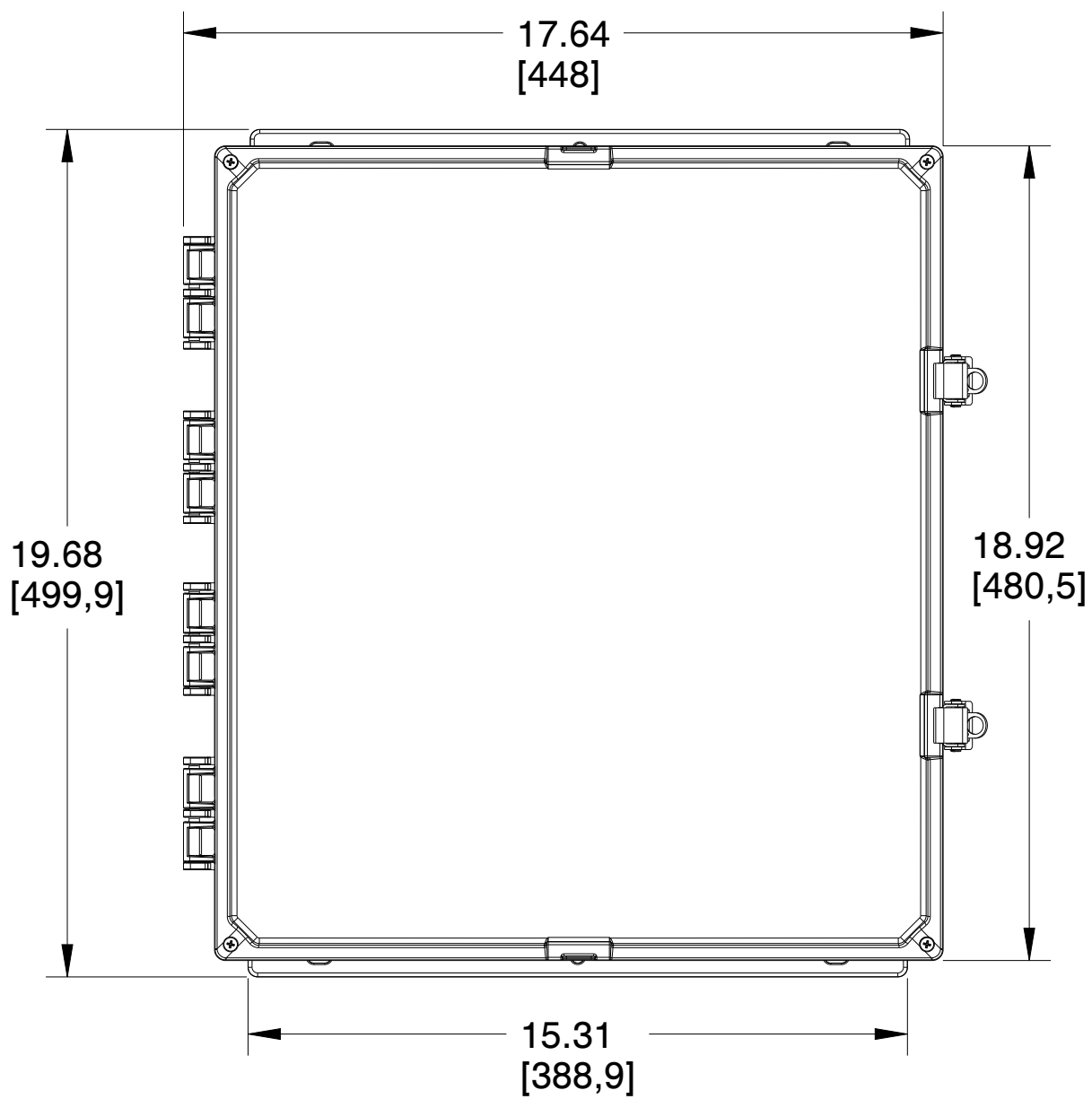
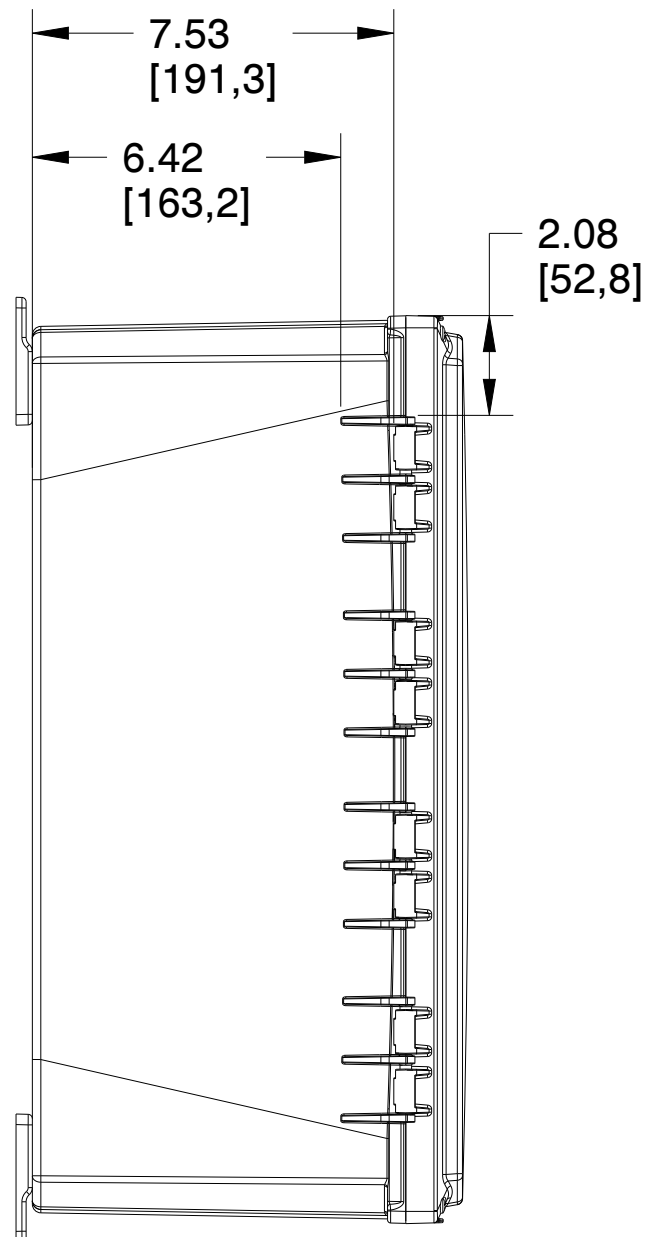
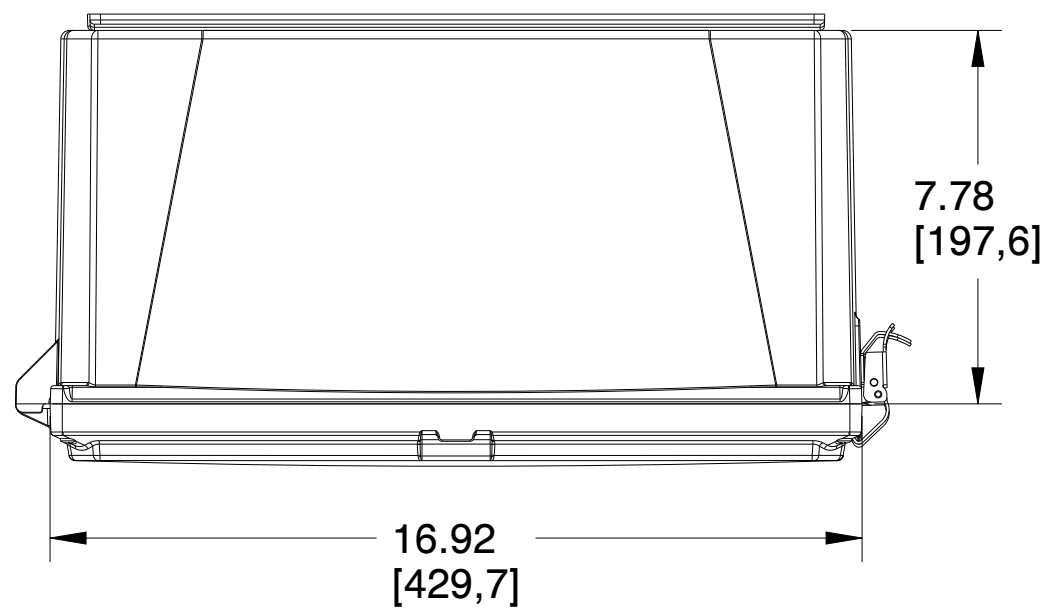
3

2

1

D

D

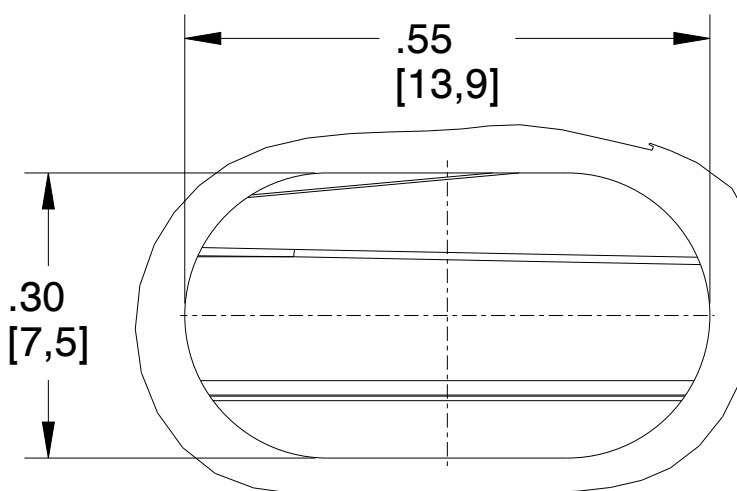


C

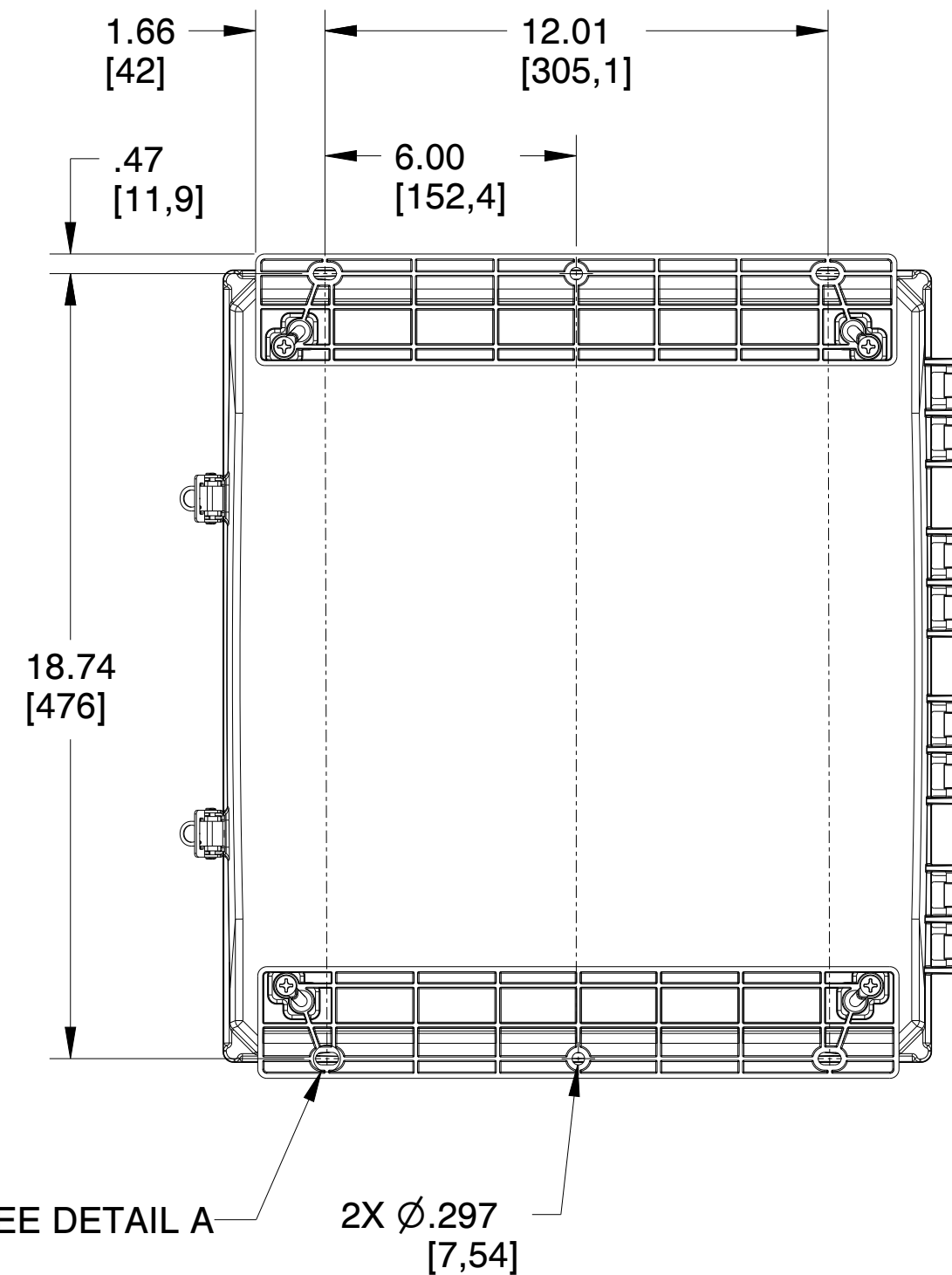
C

B

B



DETAIL A
SCALE 5.000
4X PLACES



SEE DETAIL A

2X Ø.297
[7,54]

A

A

		MUM INDUSTRIES 8989 TYLER BLVD MENTOR, OHIO, U.S.A. (440) 269-8155 FAX (440) 269-8166
SCALE 0.250	SHEET 1 of 2	DRAWN BY S. QUICK
TITLE PREM-18X16X8-HNG-GRY-SLL		
DATE 08.08.2022	DRAWING NUMBER H181608HFLL	REV A

UNLESS OTHERWISE SPECIFIED:
DIMENSIONS ARE IN INCHES (mm)
AND ARE NOMINAL ONLY

PROPRIETARY AND CONFIDENTIAL:
THE INFORMATION CONTAINED IN THIS
DRAWING IS THE SOLE PROPERTY OF
INTEGRA ENCLOSURES. ANY
REPRODUCTION IN PART OR AS A
WHOLE WITHOUT THE WRITTEN
PERMISSION OF INTEGRA
ENCLOSURES IS PROHIBITED.

4

3

2

1

4

3

2

1

D

D

C

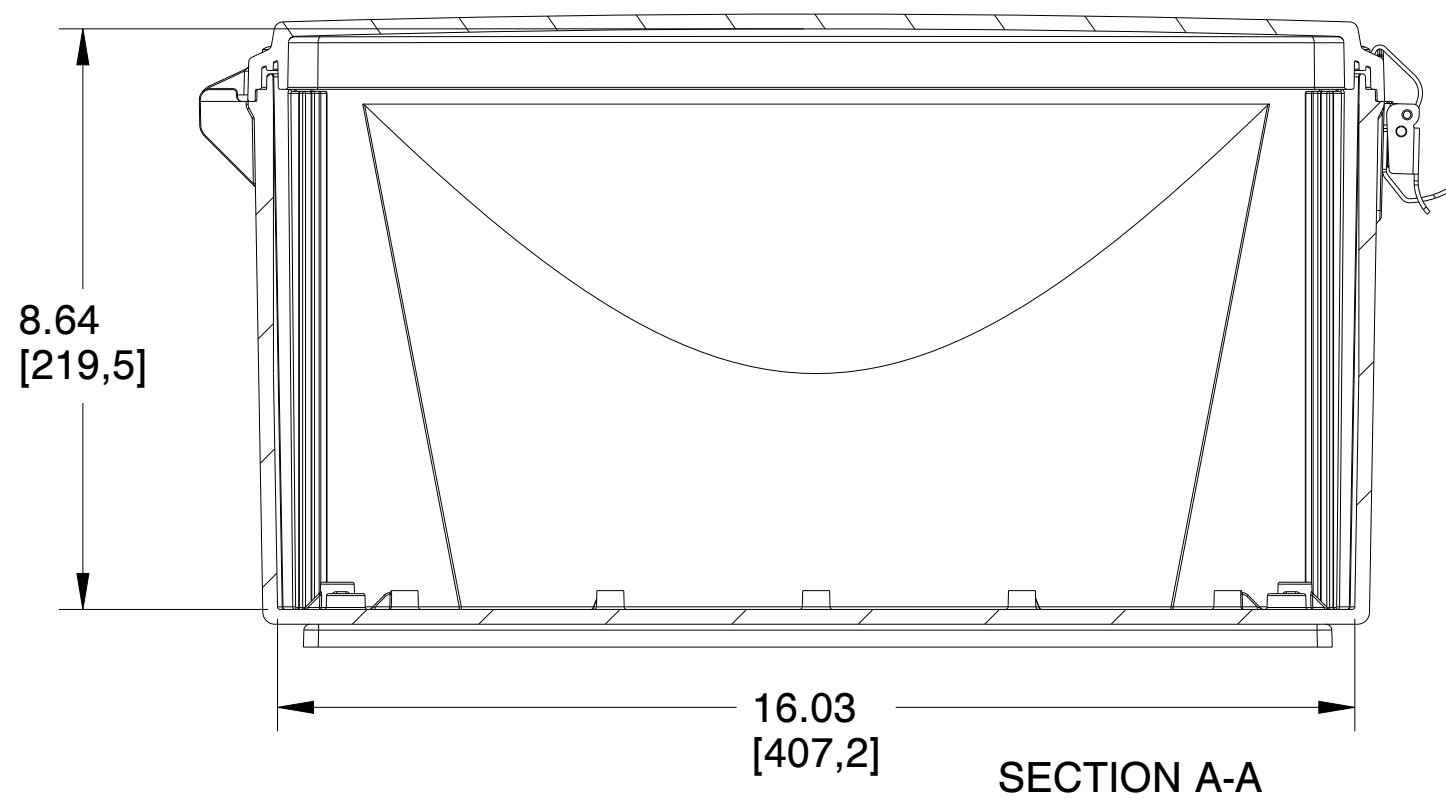
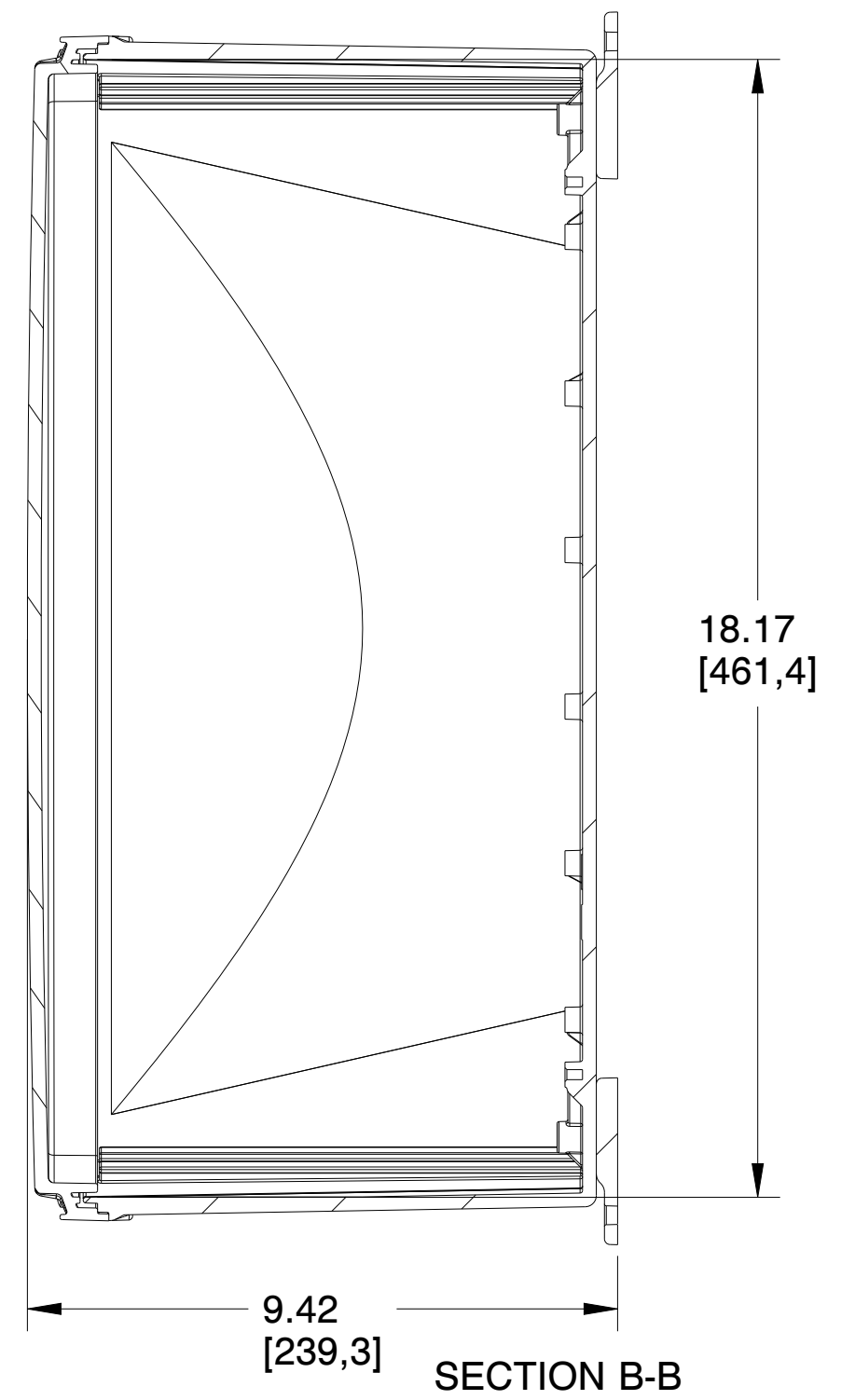
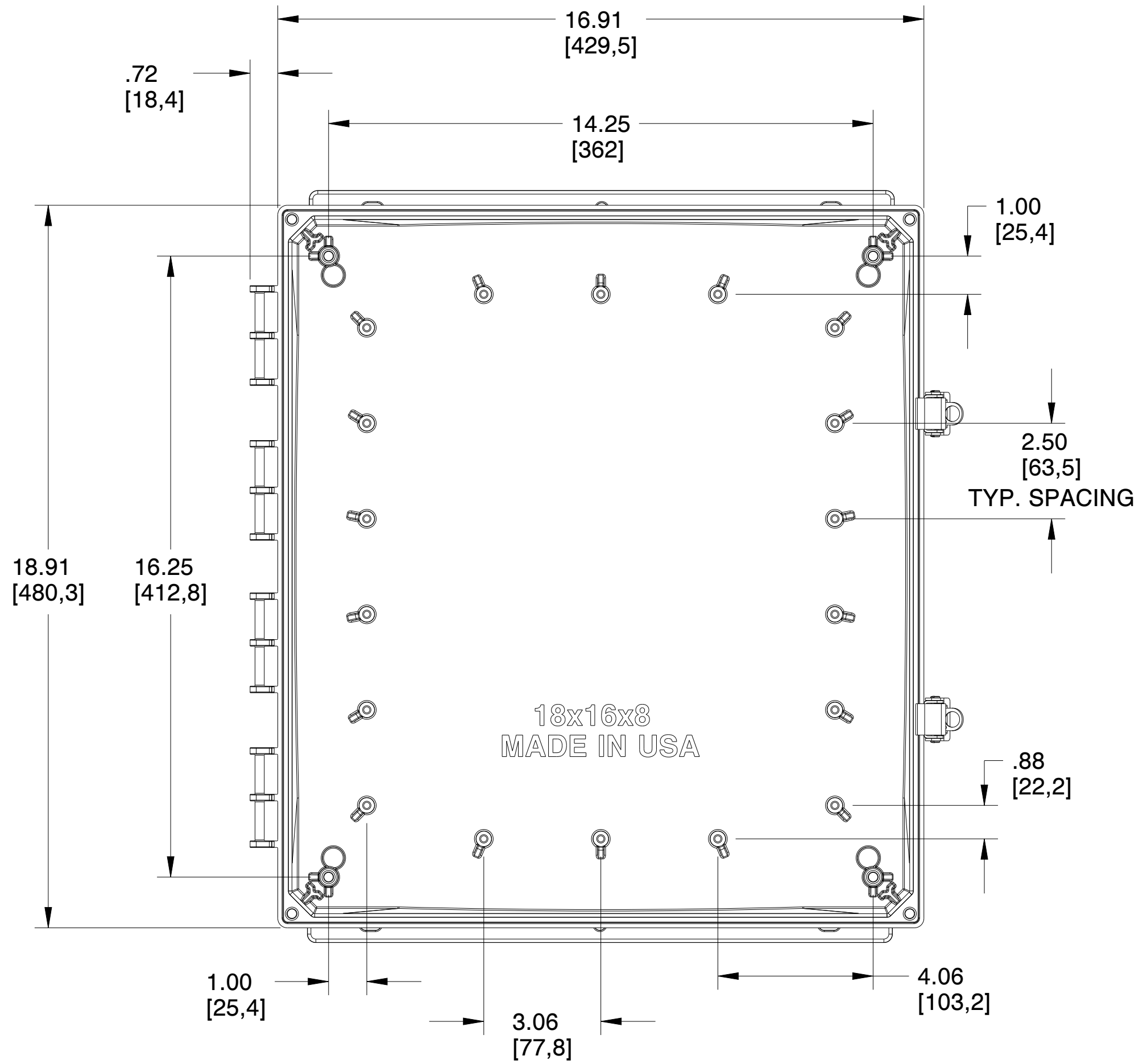
C

B

B

A

A



		MUM INDUSTRIES 8989 TYLER BLVD MENTOR, OHIO, U.S.A. (440) 269-8155 FAX (440) 269-8166	
		SCALE	SHEET
0.350	2 of 2	S. QUICK	
TITLE			
PREM-18X16X08-SCR-GRY			
DATE		DRAWING NUMBER	
08.08.2022		H181608HFLL	
			REV
			A

UNLESS OTHERWISE SPECIFIED:
 DIMENSIONS ARE IN INCHES (mm)
 AND ARE NOMINAL ONLY

PROPRIETARY AND CONFIDENTIAL:
 THE INFORMATION CONTAINED IN THIS
 DRAWING IS THE SOLE PROPERTY OF
 INTEGRA ENCLOSURES. ANY
 REPRODUCTION IN PART OR AS A
 WHOLE WITHOUT THE WRITTEN
 PERMISSION OF INTEGRA
 ENCLOSURES IS PROHIBITED.

4

3

2

1