

4

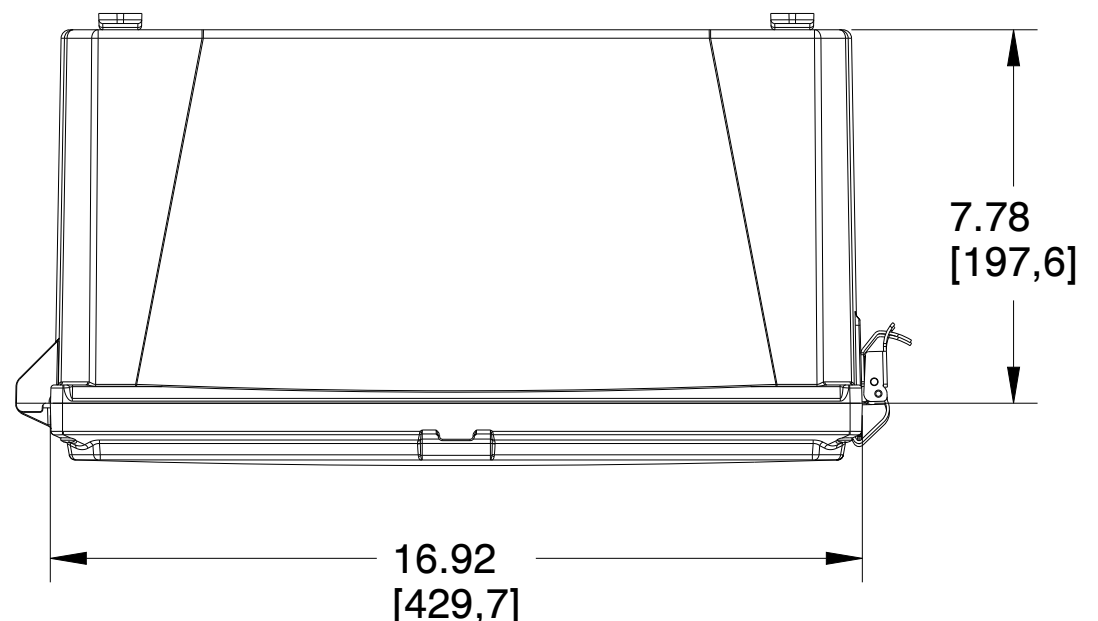
3

2

1

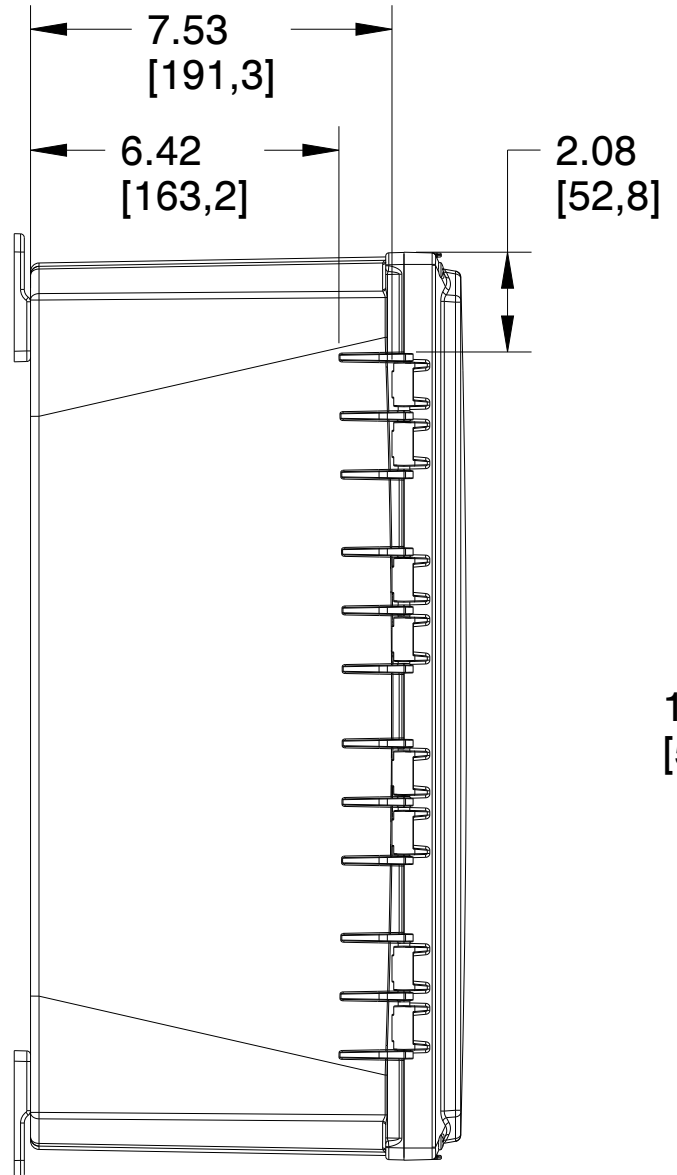
D

D



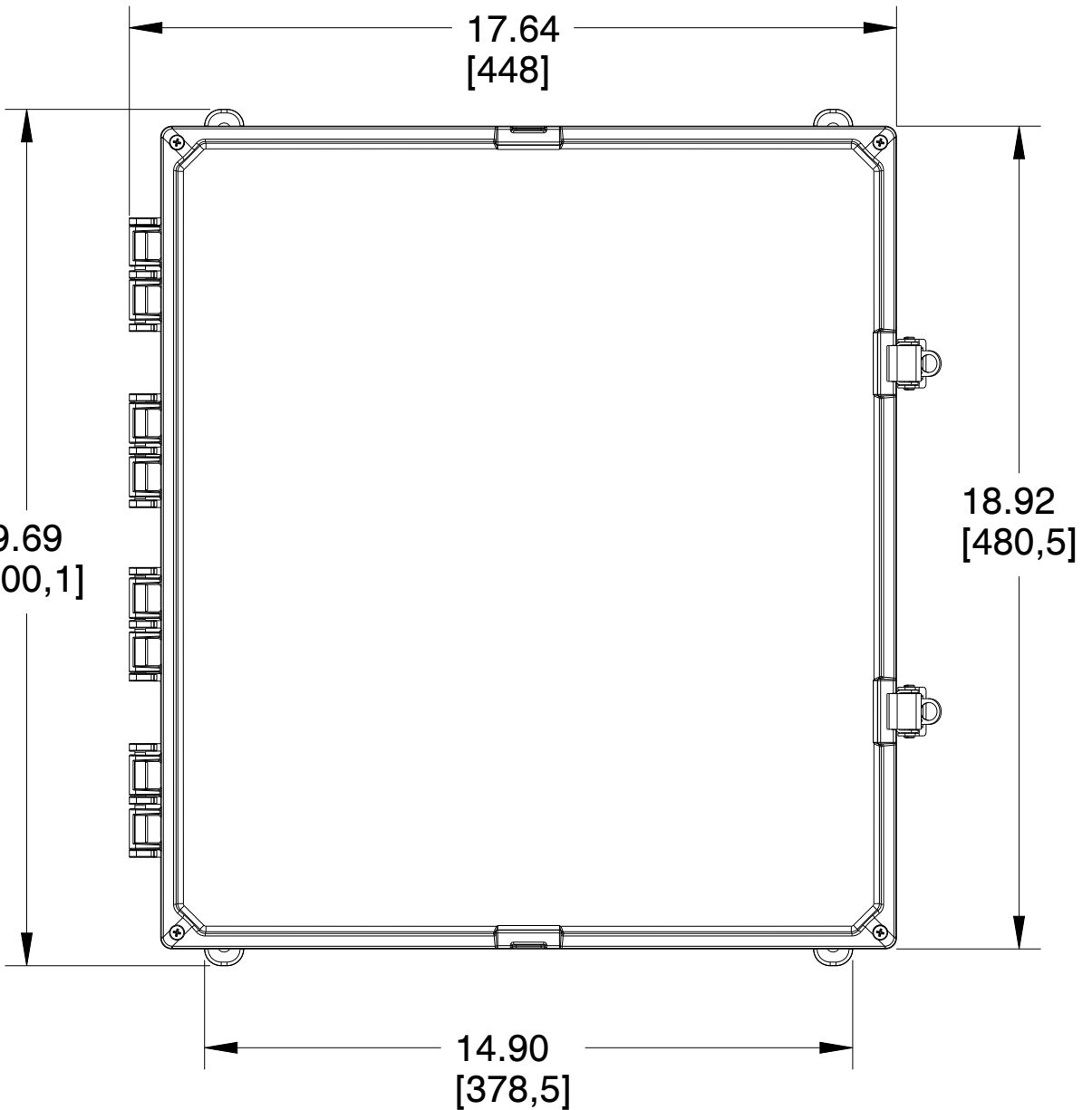
C

C



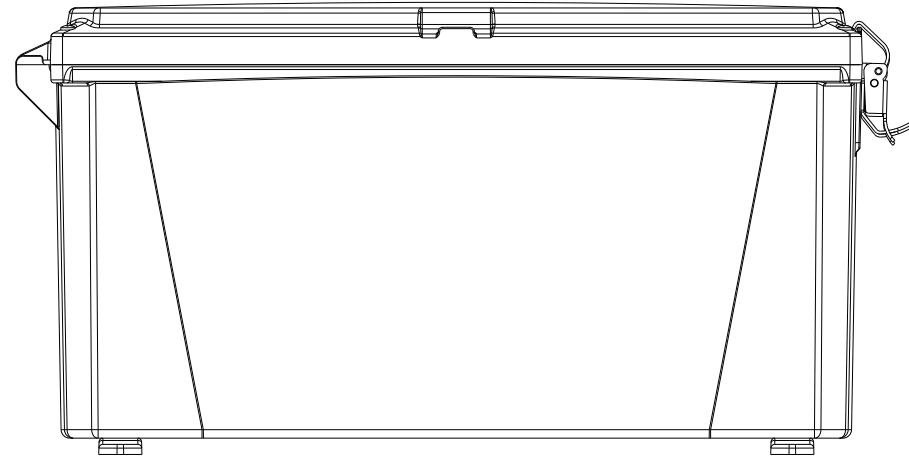
B

B



A

A

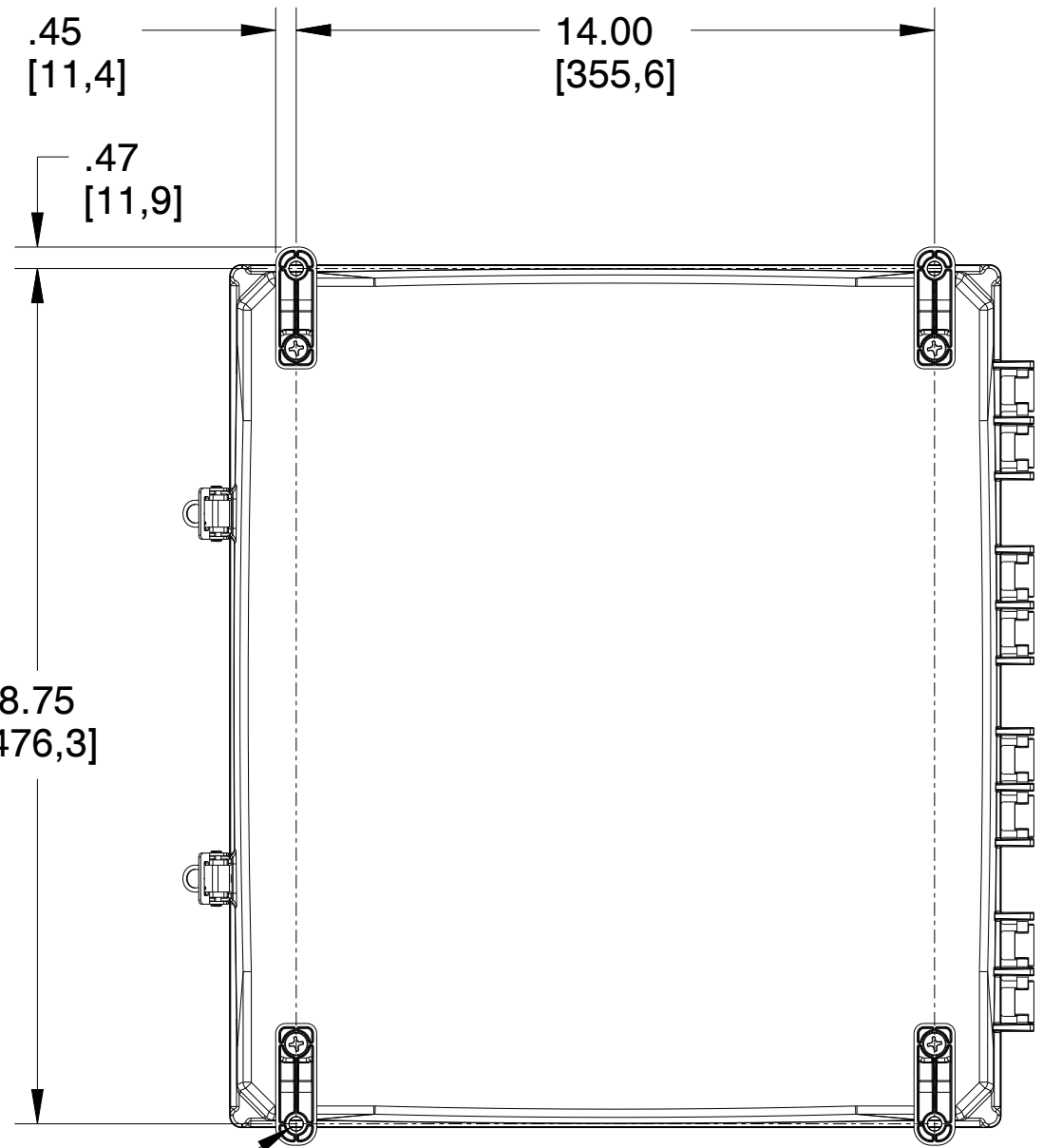
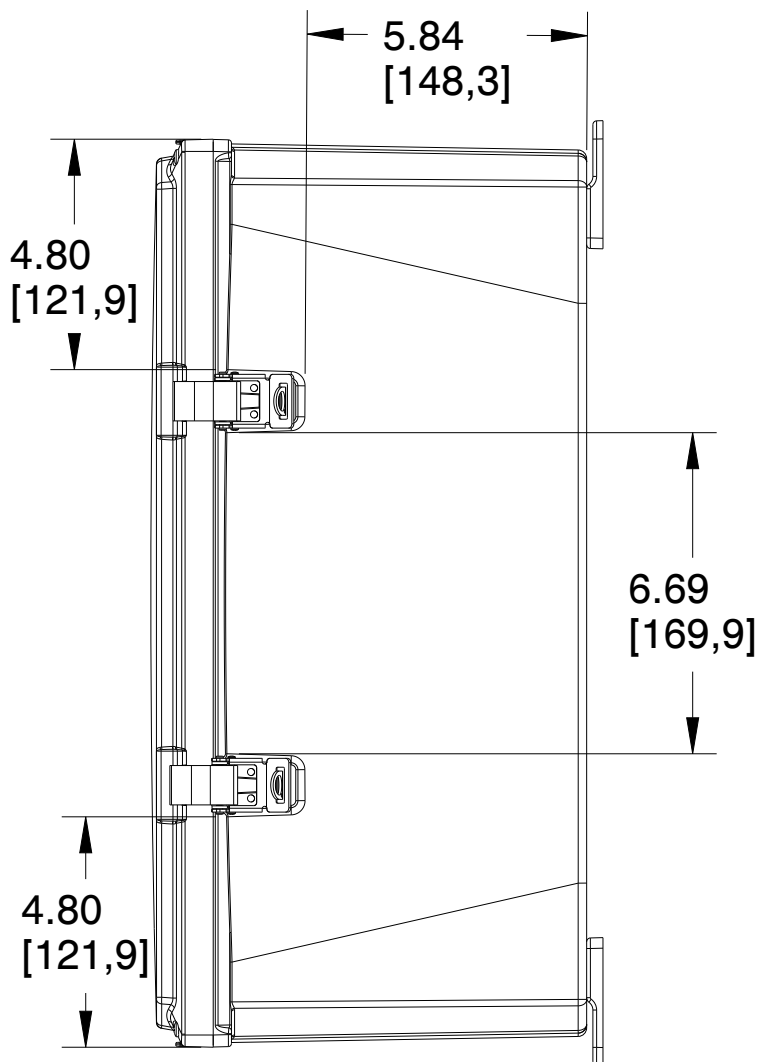
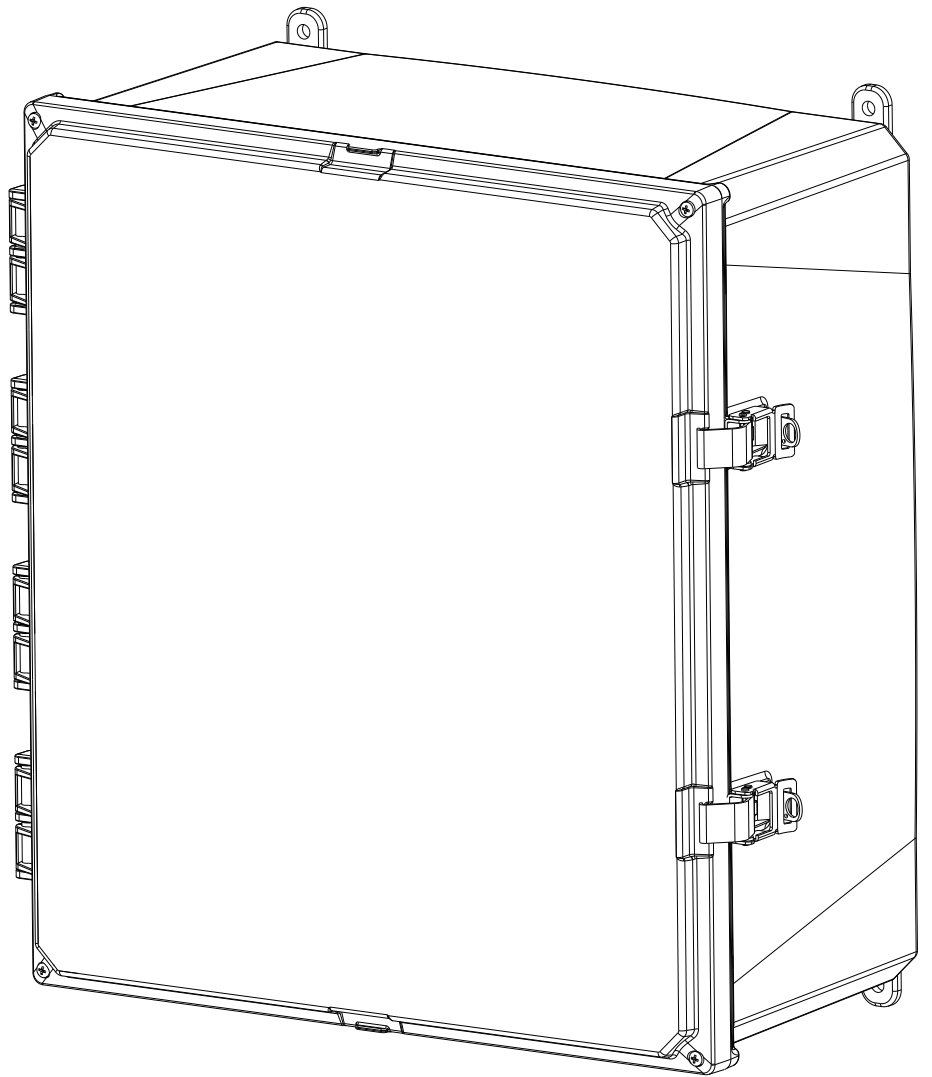


4

3

2

1



4X Ø.310 [7,87]



MUM INDUSTRIES  
8989 TYLER BLVD  
MENTOR, OHIO, U.S.A.  
(440) 269-8155 FAX (440) 269-8166

SCALE 0.250	SHEET 1 of 2	DRAWN BY S. QUICK
----------------	-----------------	----------------------

TITLE  
**PREM-18X16X08-SCR-GRY**

DATE 08.08.2022	DRAWING NUMBER H181608HLL	REV A
--------------------	------------------------------	----------

UNLESS OTHERWISE SPECIFIED:  
DIMENSIONS ARE IN INCHES (mm)  
AND ARE NOMINAL ONLY.

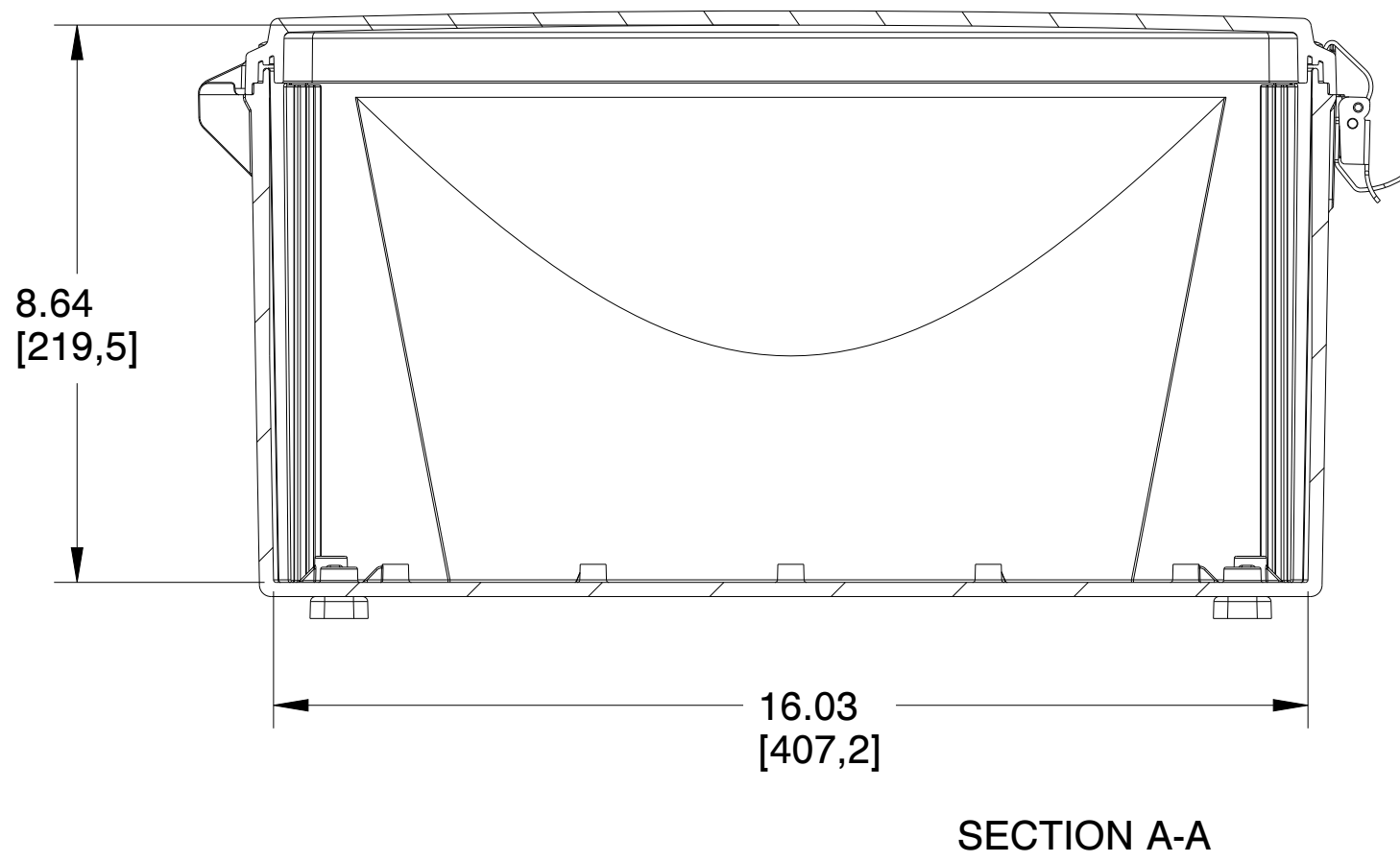
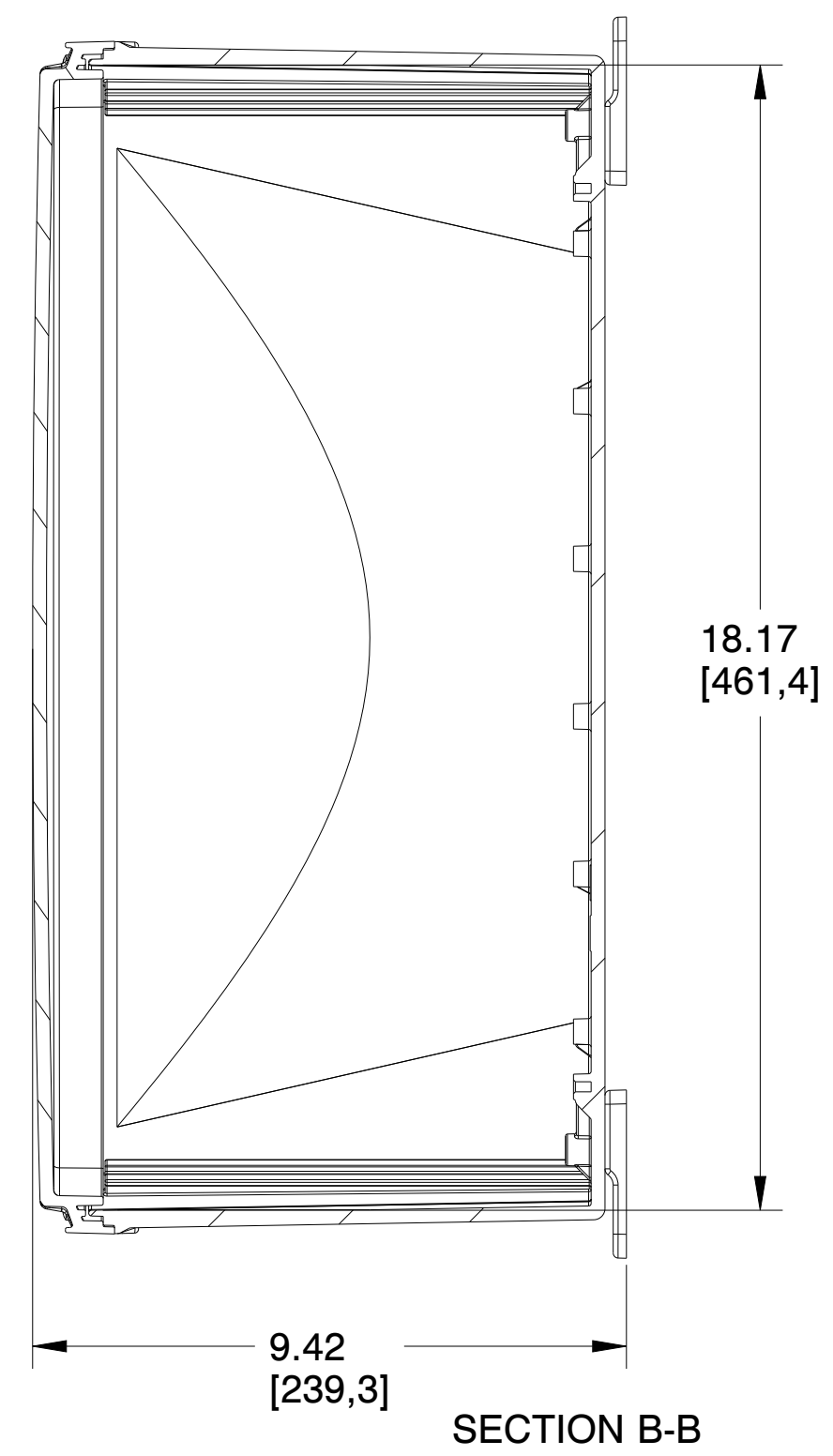
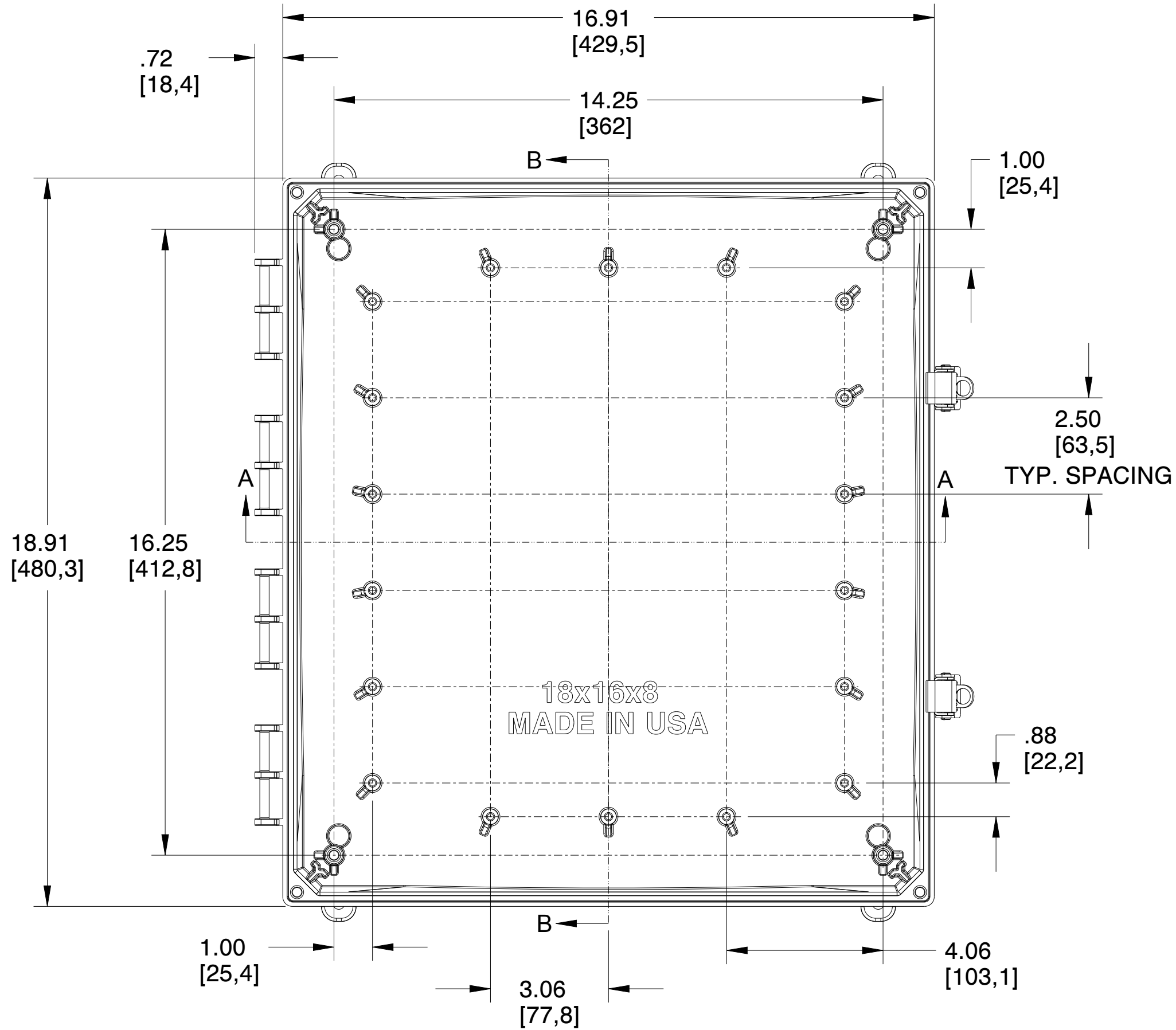
PROPRIETARY AND CONFIDENTIAL:  
THE INFORMATION CONTAINED IN THIS  
DRAWING IS THE SOLE PROPERTY OF  
INTEGRA ENCLOSURES. ANY  
REPRODUCTION IN PART OR AS A  
WHOLE WITHOUT THE WRITTEN  
PERMISSION OF INTEGRA  
ENCLOSURES IS PROHIBITED.

4

3

2

1



		MUM INDUSTRIES 8989 TYLER BLVD MENTOR, OHIO, U.S.A. (440) 269-8155 FAX (440) 269-8166	
SCALE	SHEET	DRAWN BY	
0.350	2 of 2	S. QUICK	
TITLE			
PREM-18X16X8-HNG-GRY-SLL			
DATE	DRAWING NUMBER	REV	
08.08.2022	H181608HLL	A	

4

3

2

1