

4

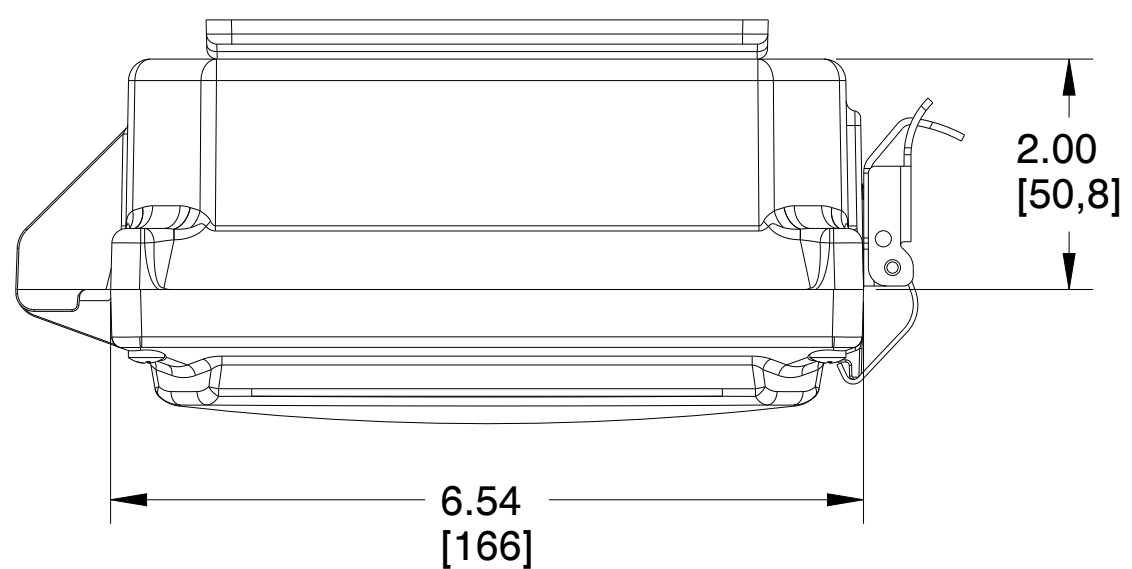
3

2

1

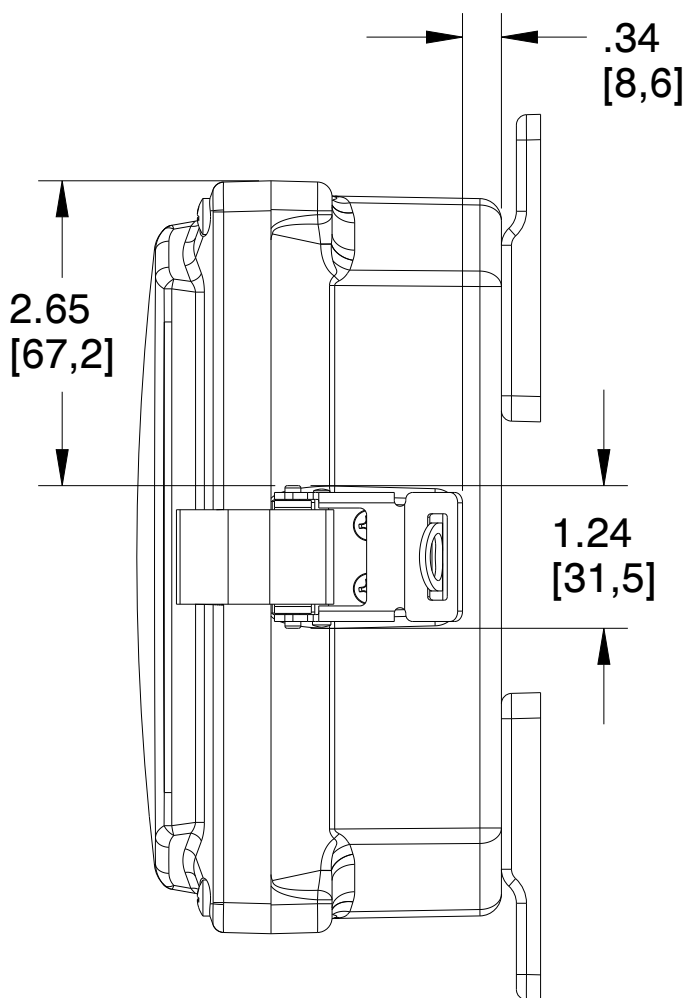
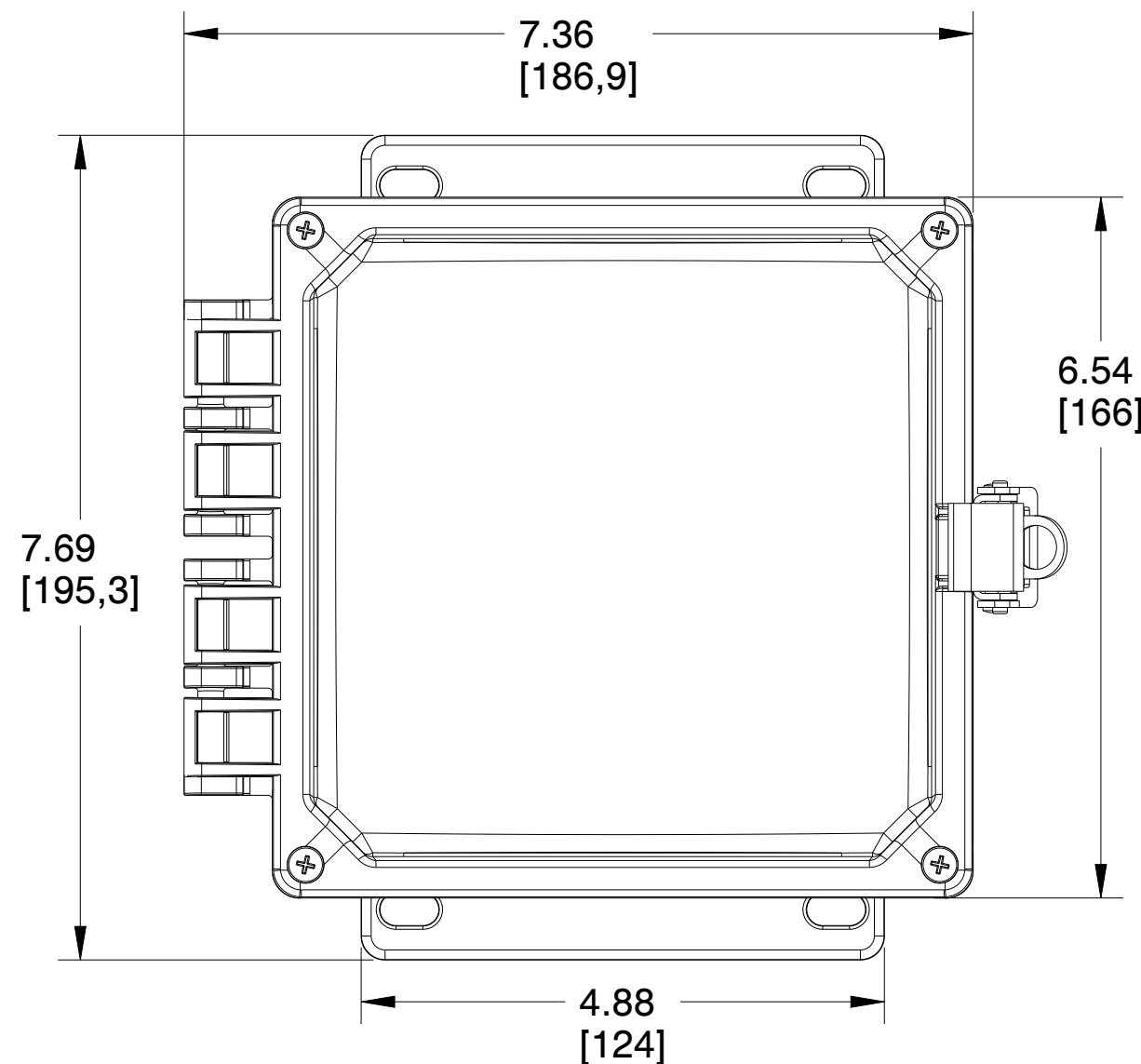
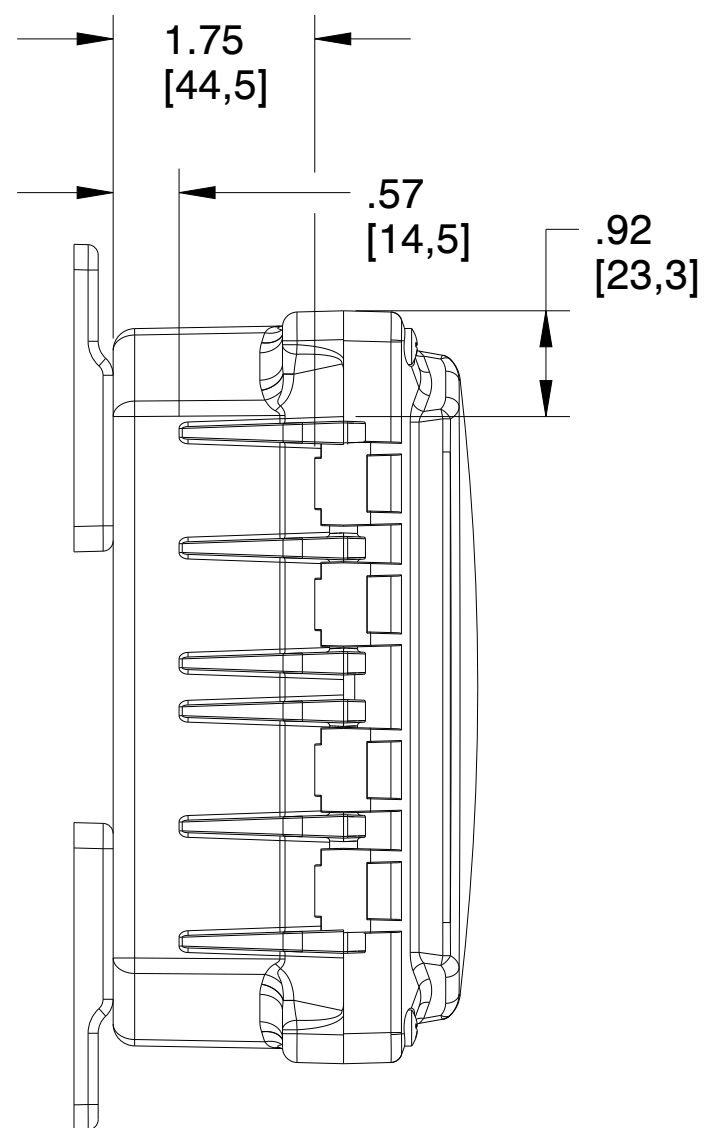
D

D



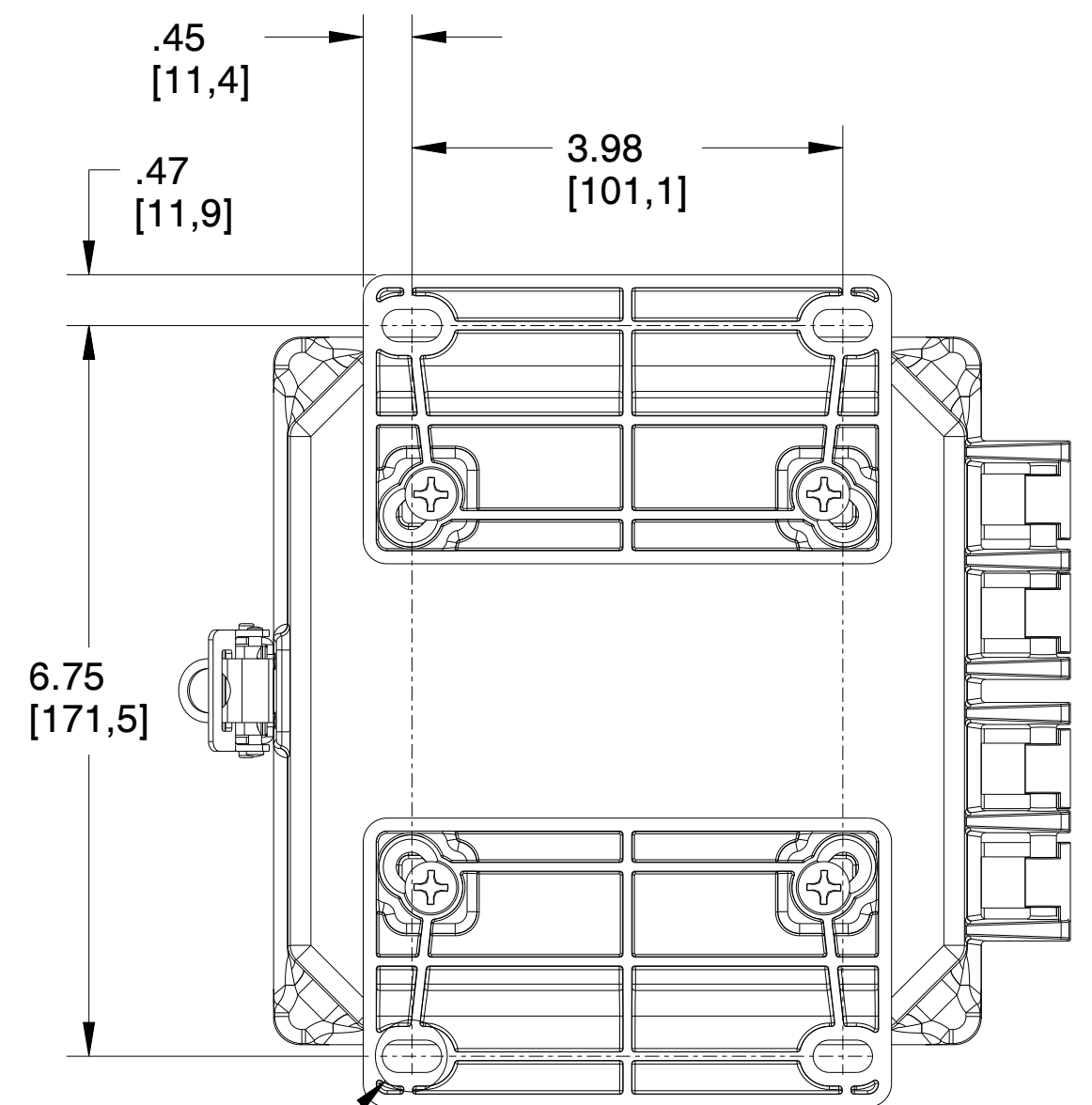
C

C



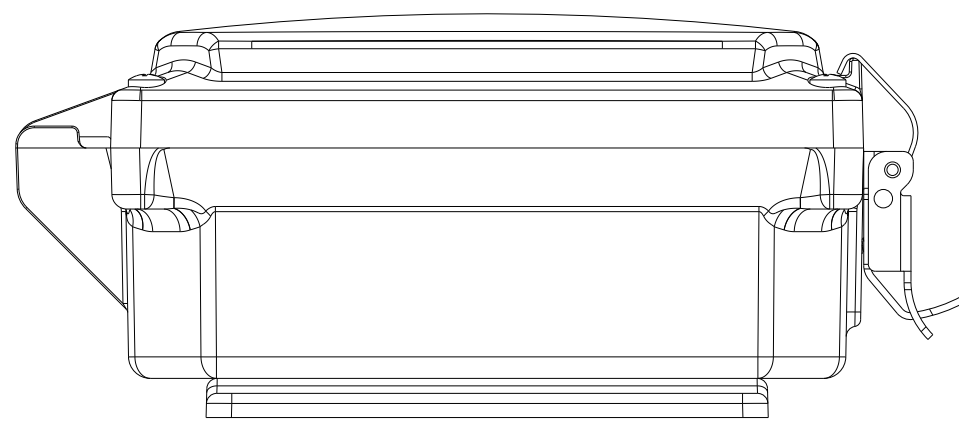
B

B



A

A



DETAIL A  
SCALE 4.000  
4X PLACES

SEE DETAIL A

		MUM INDUSTRIES 8989 TYLER BLVD MENTOR, OHIO, U.S.A. (440) 269-8155 FAX (440) 269-8166
SCALE 0.600	SHEET 1 of 2	DRAWN BY S. QUICK
TITLE PREM-6X6X2-HNG-GRY-SLL		
DATE 08.08.2022	DRAWING NUMBER H6062HFL	REV A

4

3

2

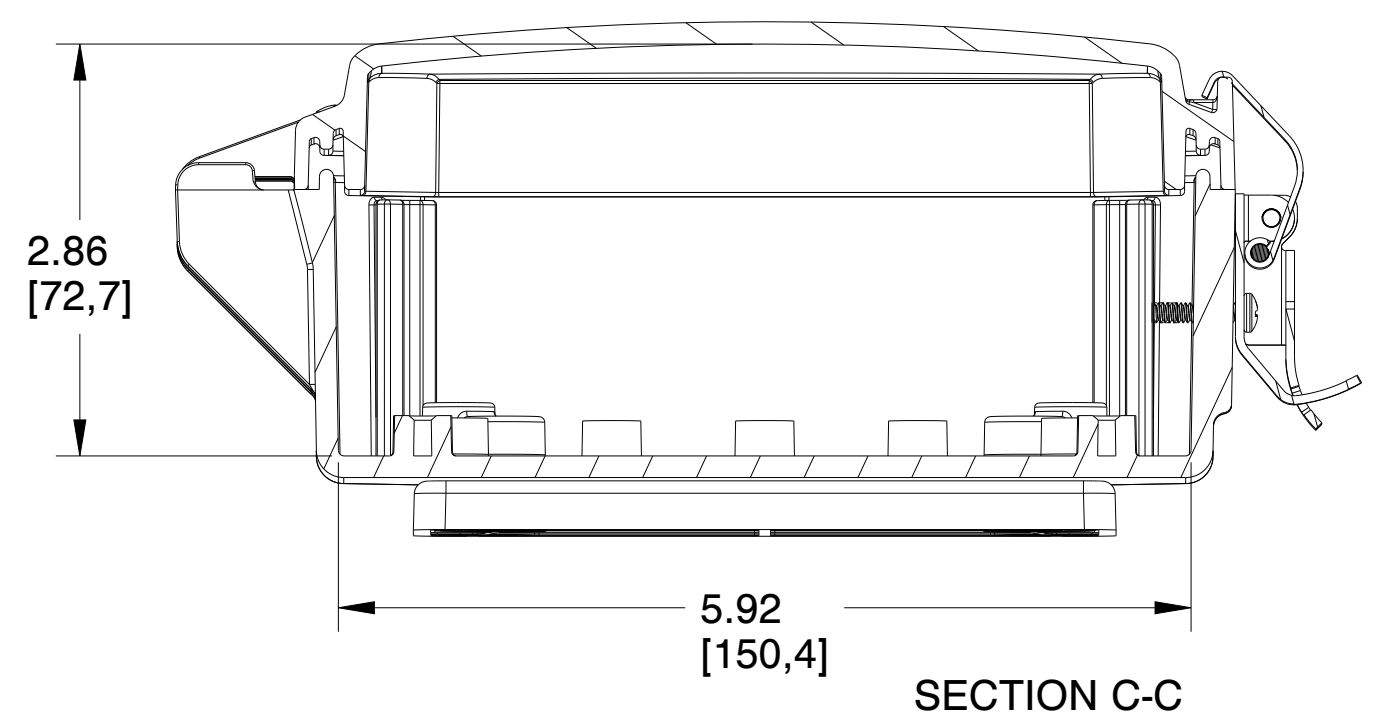
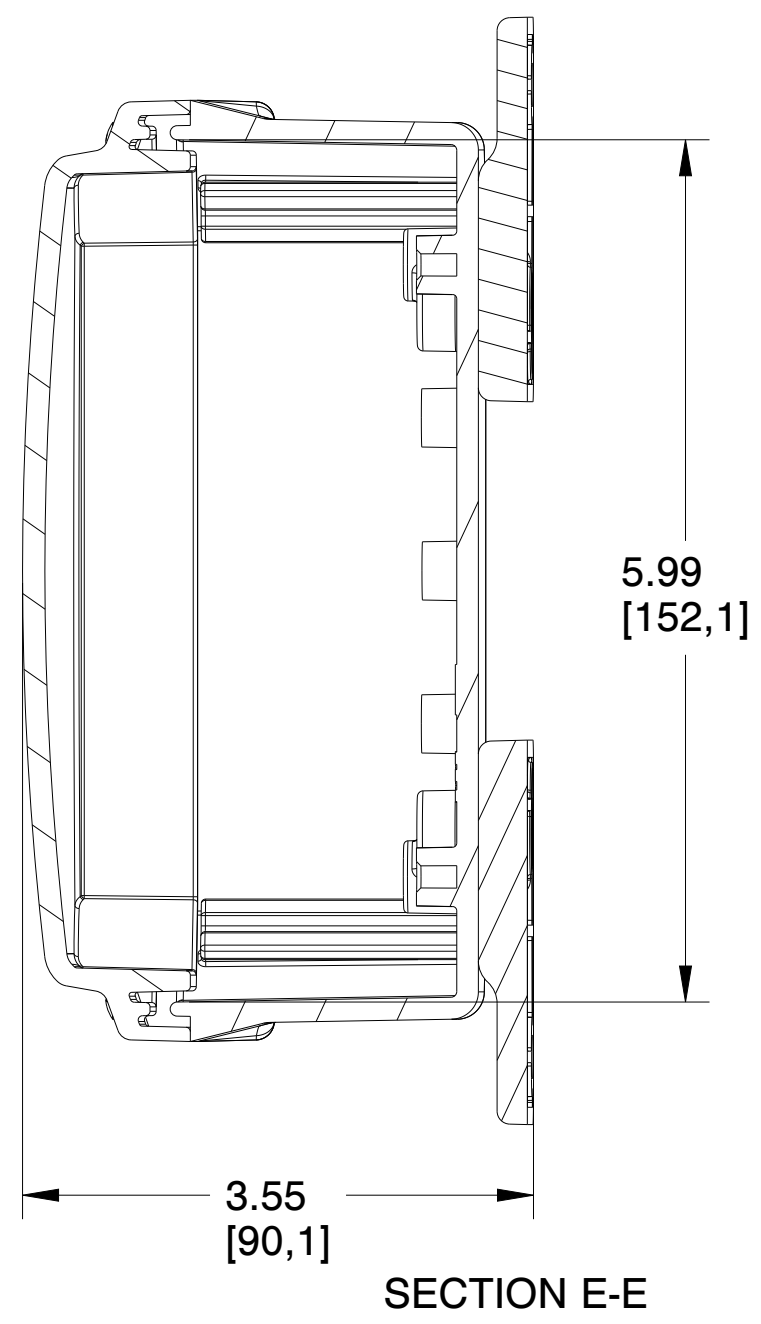
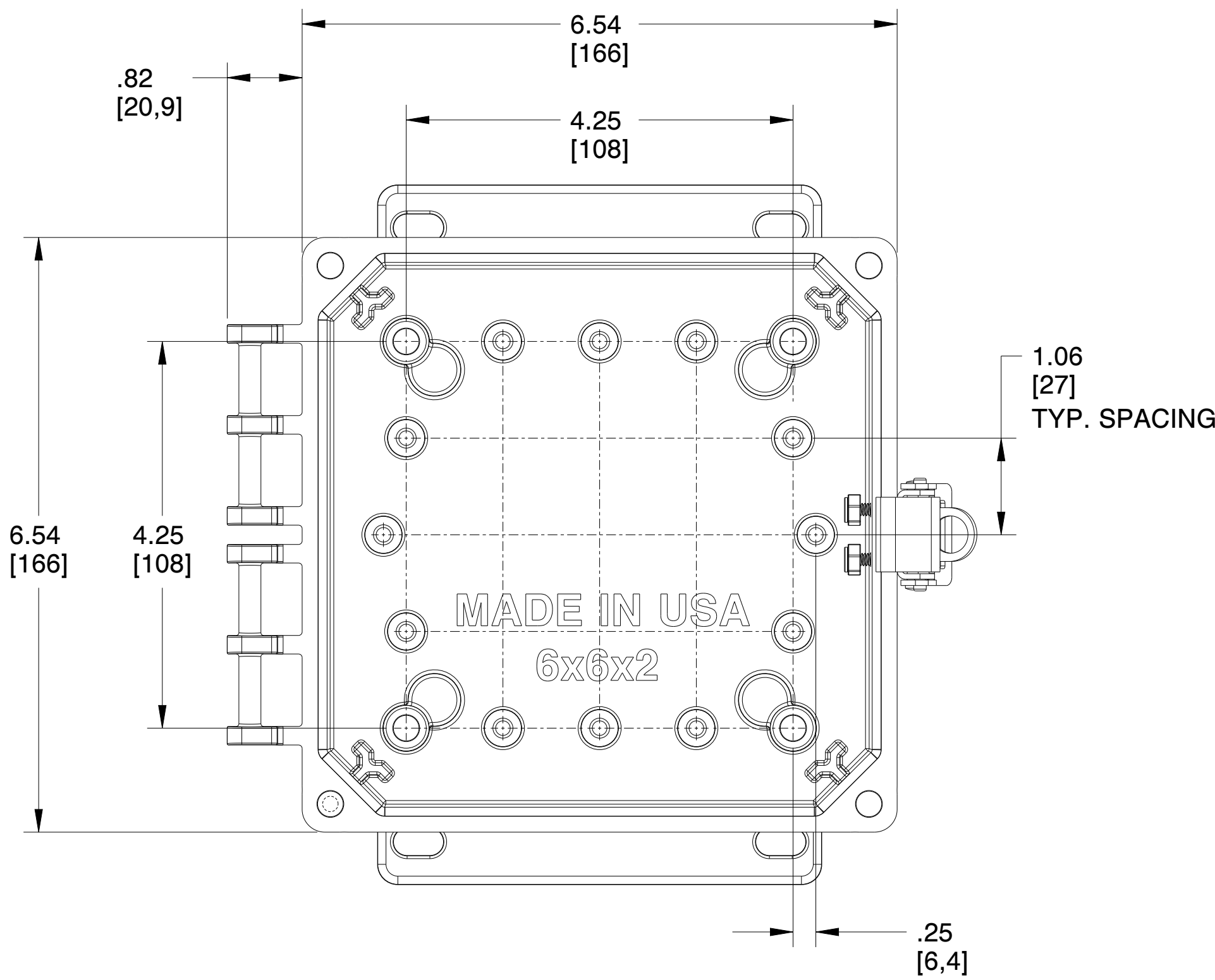
1

4

3

2

1



		MUM INDUSTRIES 8989 TYLER BLVD MENTOR, OHIO, U.S.A. (440) 269-8155 FAX (440) 269-8166
SCALE 0.750	SHEET 2 of 2	DRAWN BY S. QUICK
TITLE PREM-6X6X2-HNG-GRY-SLL		
DATE 08.08.2022	DRAWING NUMBER H6062HFL	REV A

UNLESS OTHERWISE SPECIFIED:  
DIMENSIONS ARE IN INCHES (mm)  
AND ARE NOMINAL ONLY

PROPRIETARY AND CONFIDENTIAL:  
THE INFORMATION CONTAINED IN THIS  
DRAWING IS THE SOLE PROPERTY OF  
INTEGRA ENCLOSURES. ANY  
REPRODUCTION IN PART OR AS A  
WHOLE WITHOUT THE WRITTEN  
PERMISSION OF INTEGRA  
ENCLOSURES IS PROHIBITED.

4

3

2

1