

4

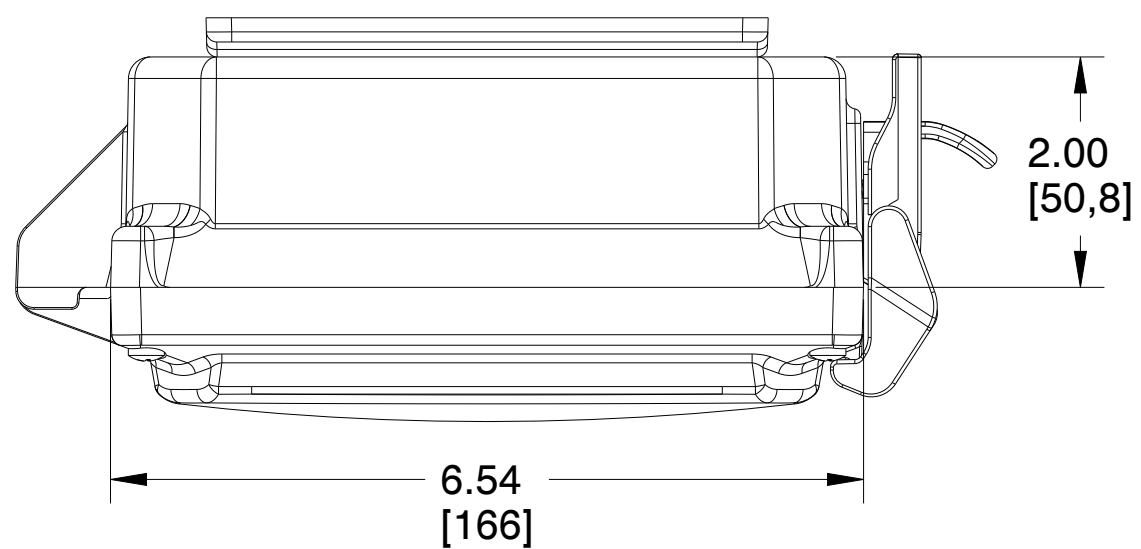
3

2

1

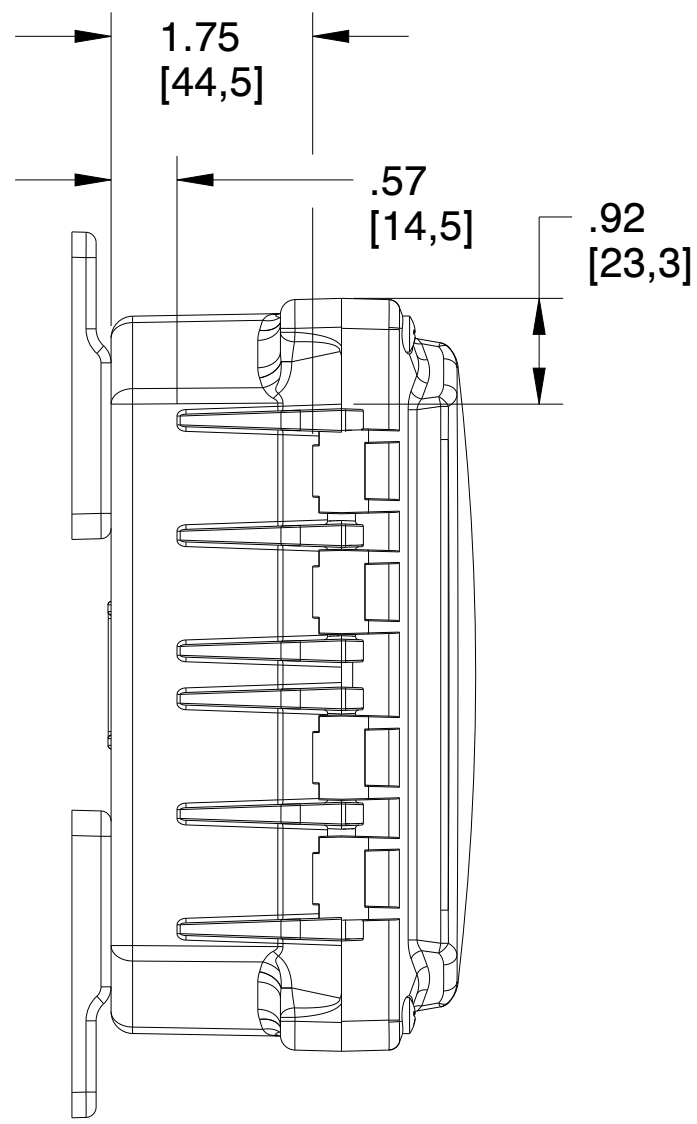
D

D



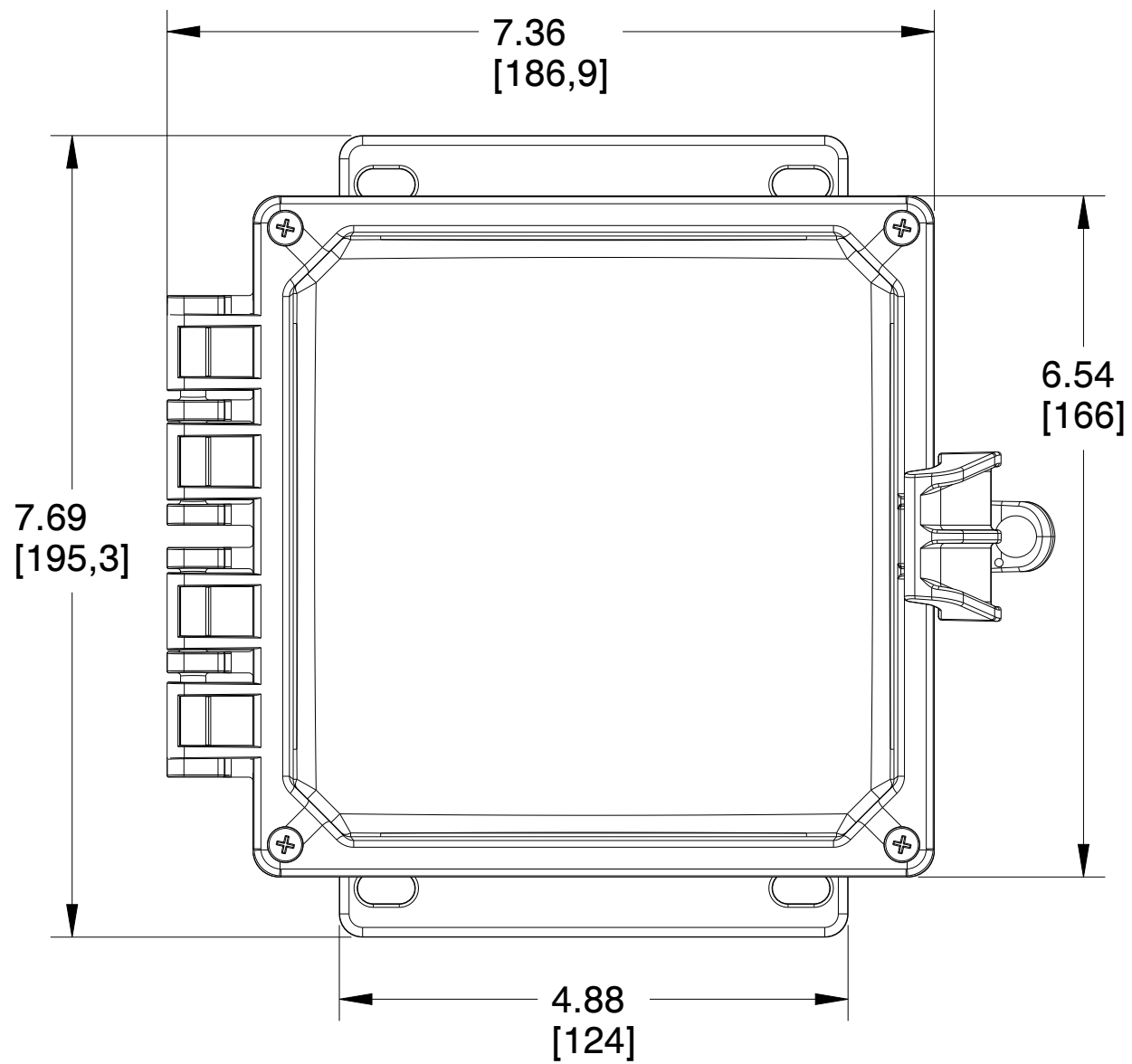
C

C



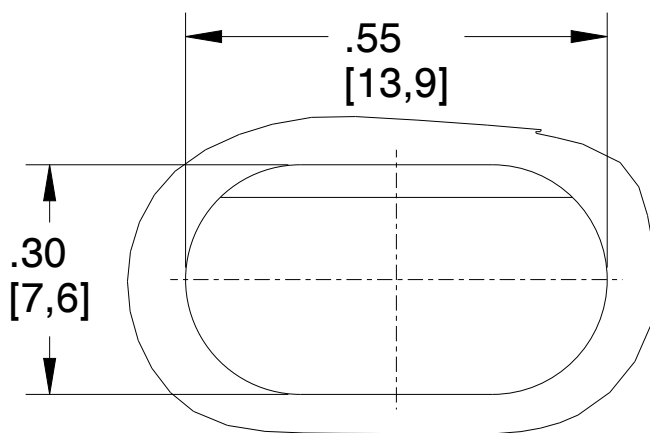
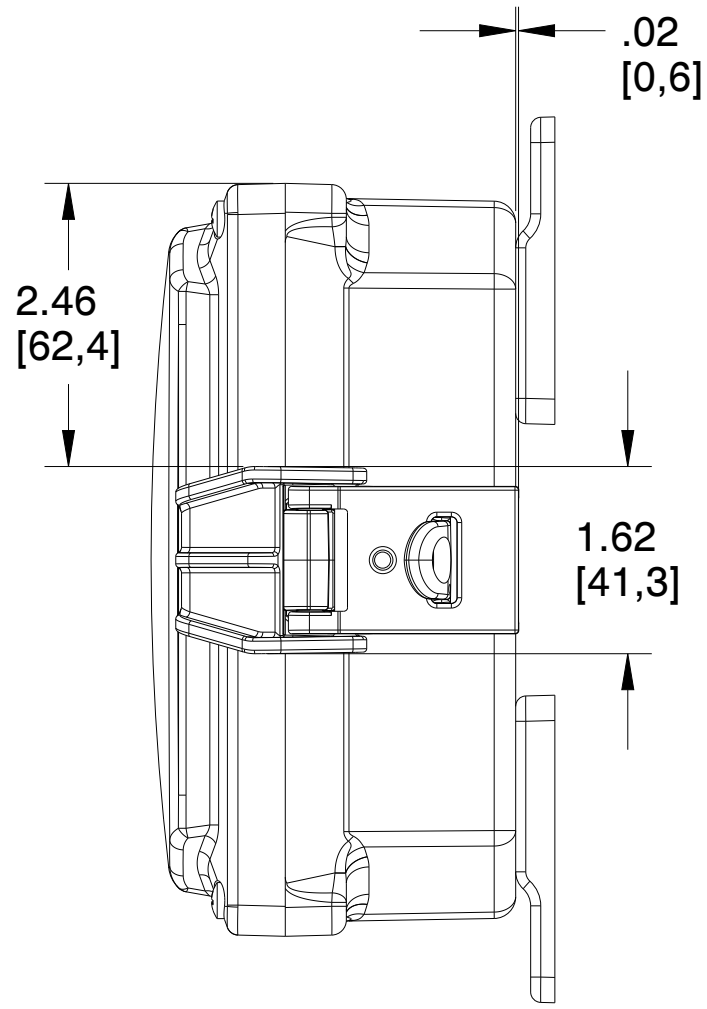
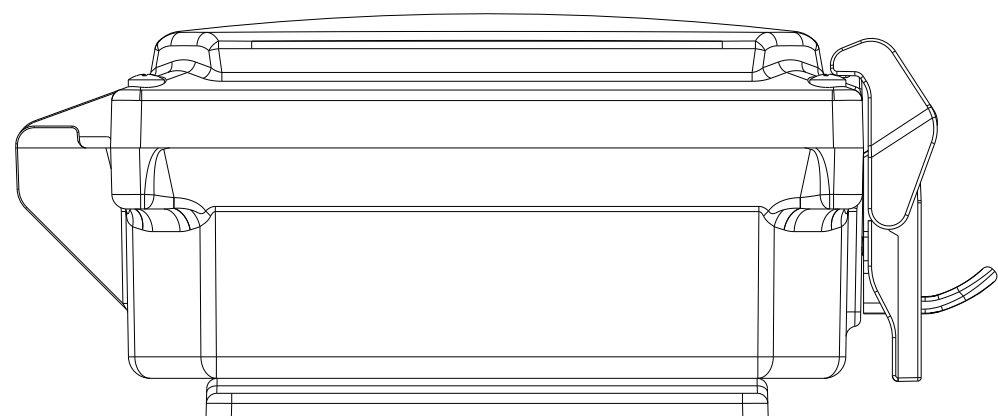
B

B



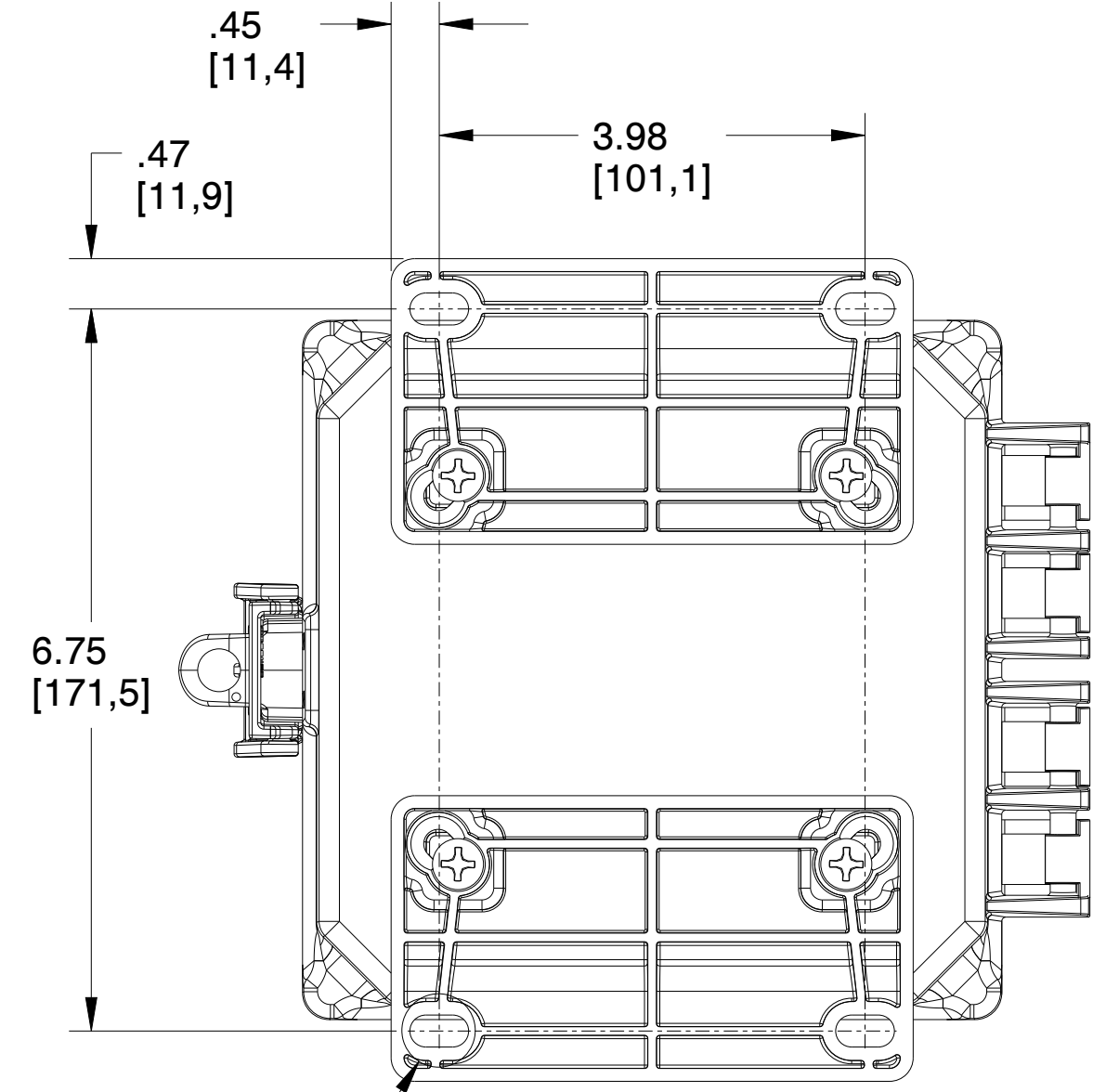
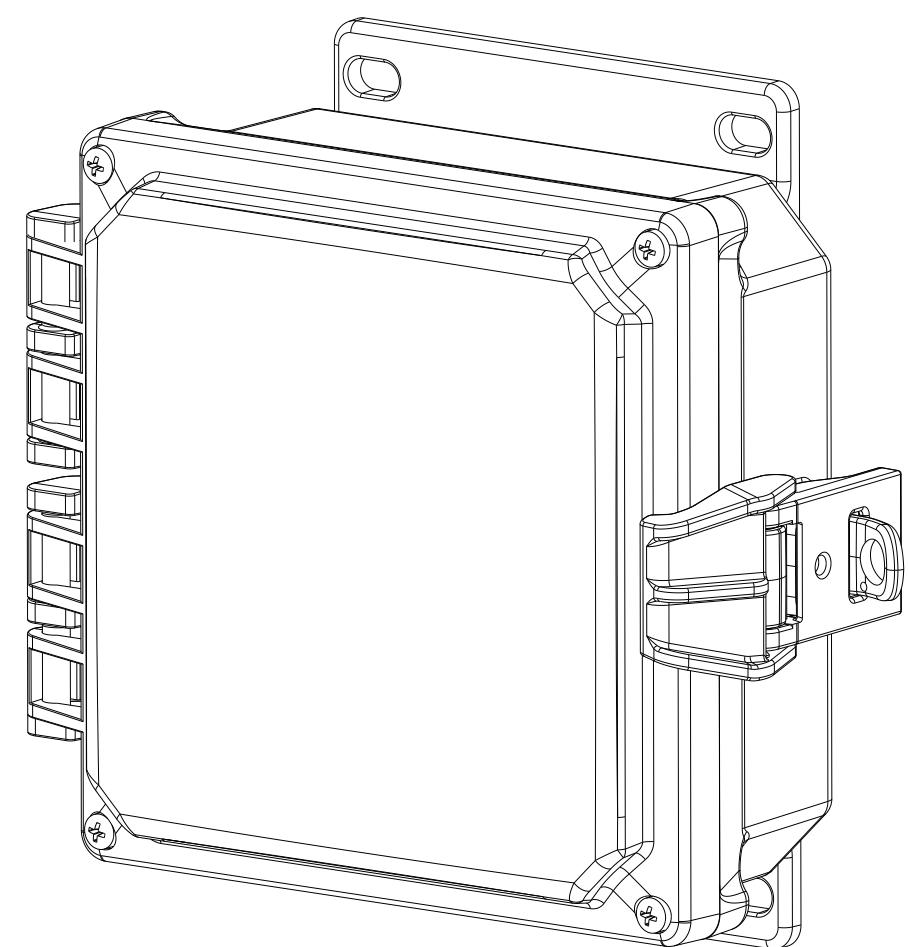
A

A



DETAIL A  
SCALE 4.000  
4X PLACES

SEE DETAIL A



		MUM INDUSTRIES 8989 TYLER BLVD MENTOR, OHIO, U.S.A. (440) 269-8155 FAX (440) 269-8166
SCALE 0.600	SHEET 1 of 2	DRAWN BY S. QUICK
TITLE PREM-6X6X2-HNG-GRY-NML		
DATE 08.10.2022	DRAWING NUMBER H6063HFNL	REV A

UNLESS OTHERWISE SPECIFIED,  
DIMENSIONS ARE IN INCHES (IP)  
AND ARE NOMINAL ONLY.

PROPRIETARY AND CONFIDENTIAL:  
THE INFORMATION CONTAINED IN THIS  
DRAWING IS THE SOLE PROPERTY OF  
INTEGRA ENCLOSURES. ANY  
REPRODUCTION IN PART OR AS A  
WHOLE WITHOUT THE WRITTEN  
PERMISSION OF INTEGRA  
ENCLOSURES IS PROHIBITED.

4

3

2

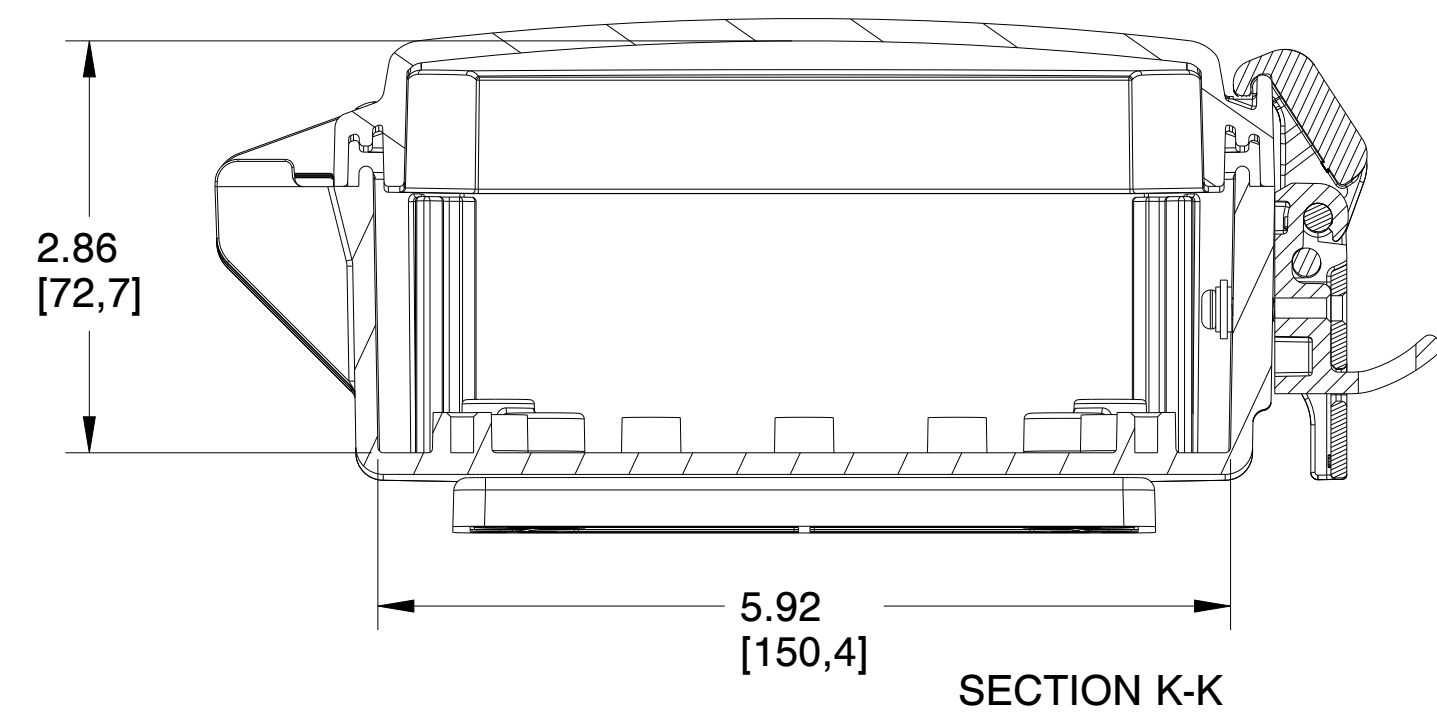
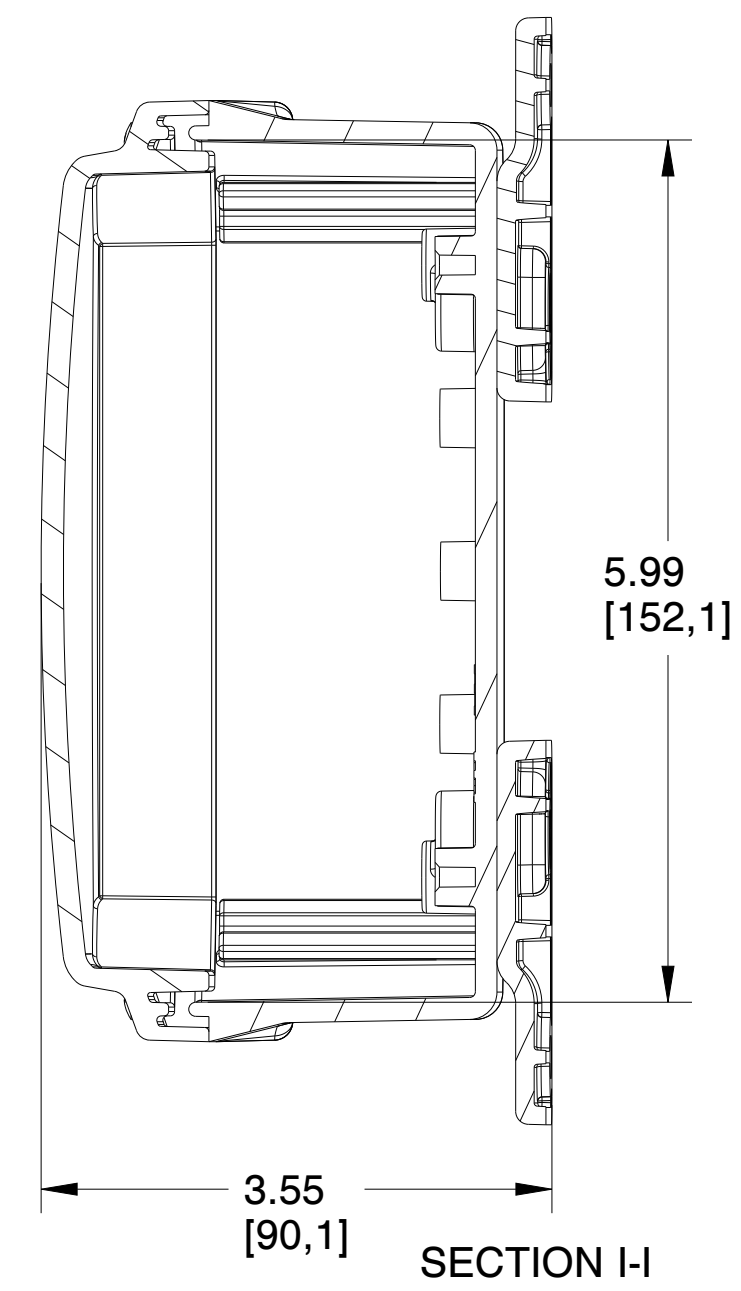
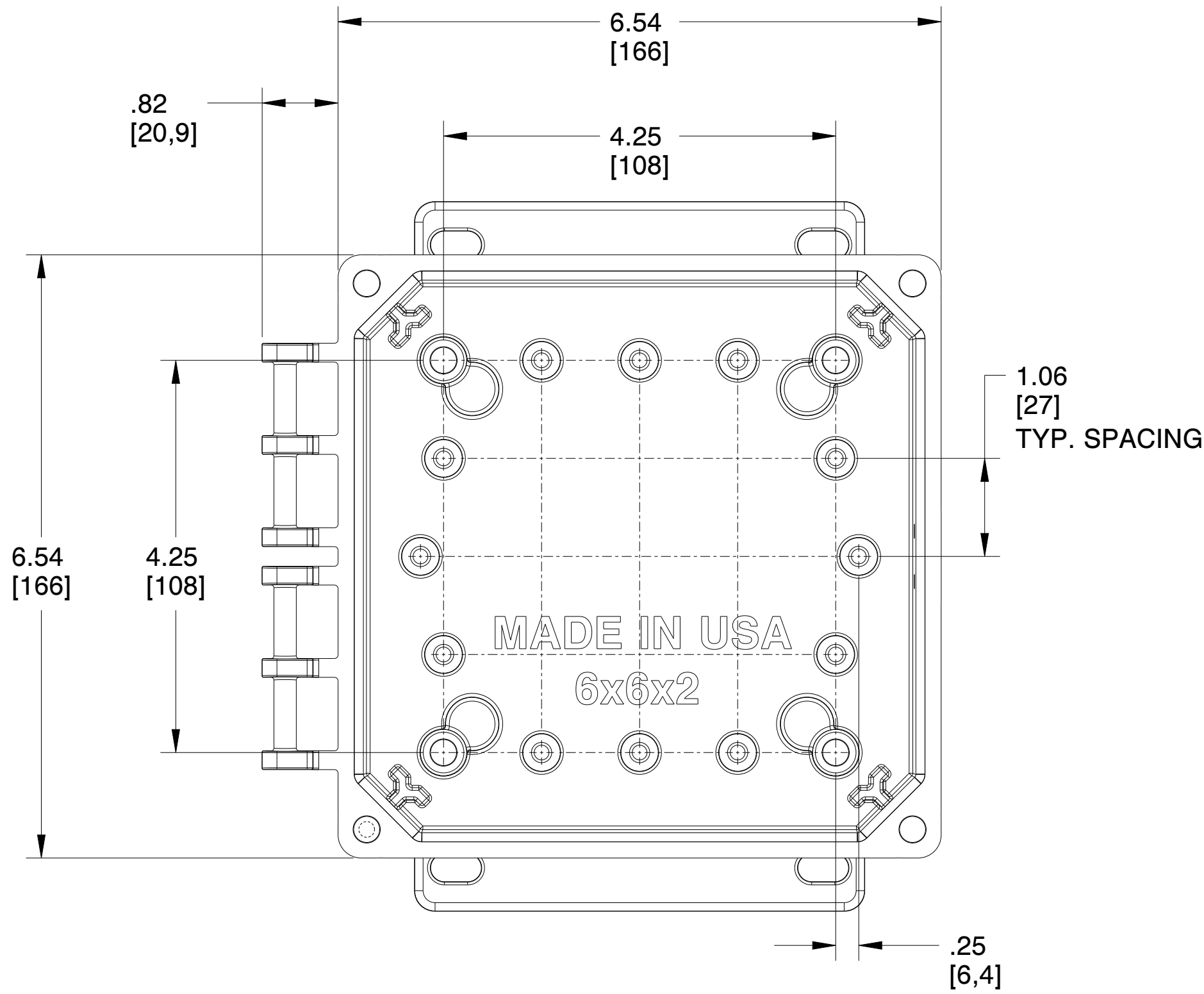
1

4

3

2

1



		MUM INDUSTRIES 8989 TYLER BLVD MENTOR, OHIO, U.S.A. (440) 269-8155 FAX (440) 269-8166
SCALE 0.750	SHEET 2 of 2	DRAWN BY S. QUICK
TITLE PREM-6X6X2-HNG-GRY-NML		
DATE 08.10.2022	DRAWING NUMBER H6062HFNL	REV A

UNLESS OTHERWISE SPECIFIED:  
DIMENSIONS ARE IN INCHES (mm)  
AND ARE NOMINAL ONLY

PROPRIETARY AND CONFIDENTIAL:  
THE INFORMATION CONTAINED IN THIS  
DRAWING IS THE SOLE PROPERTY OF  
INTEGRA ENCLOSURES. ANY  
REPRODUCTION IN PART OR AS A  
WHOLE WITHOUT THE WRITTEN  
PERMISSION OF INTEGRA  
ENCLOSURES IS PROHIBITED.

4

3

2

1

D

D

C

C

B

B

A

A