

4

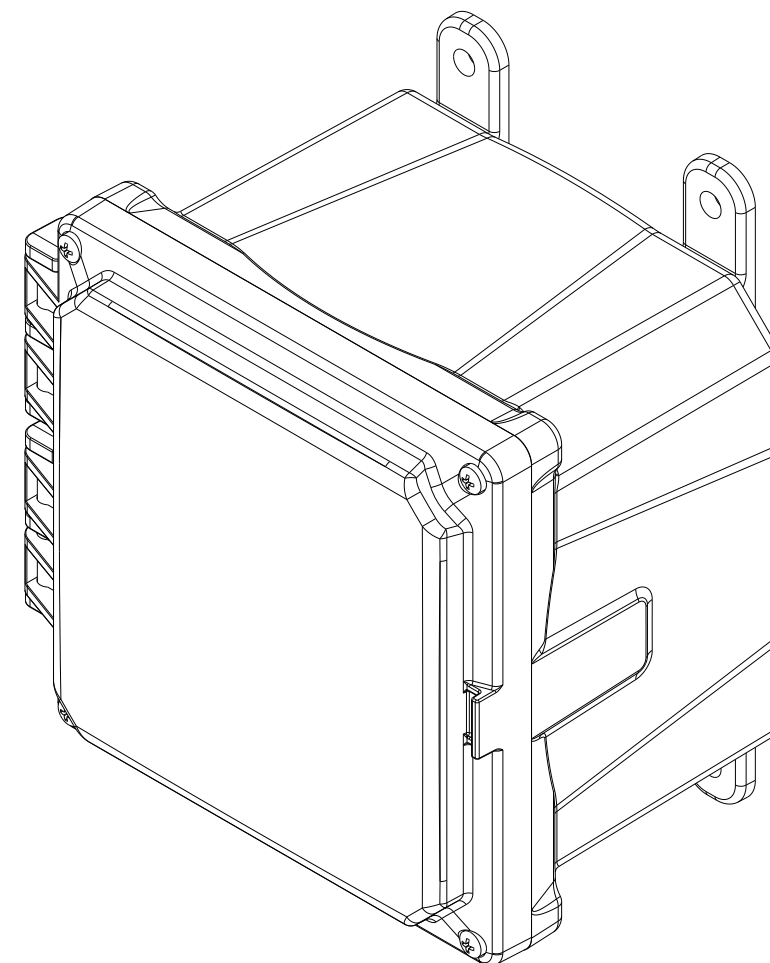
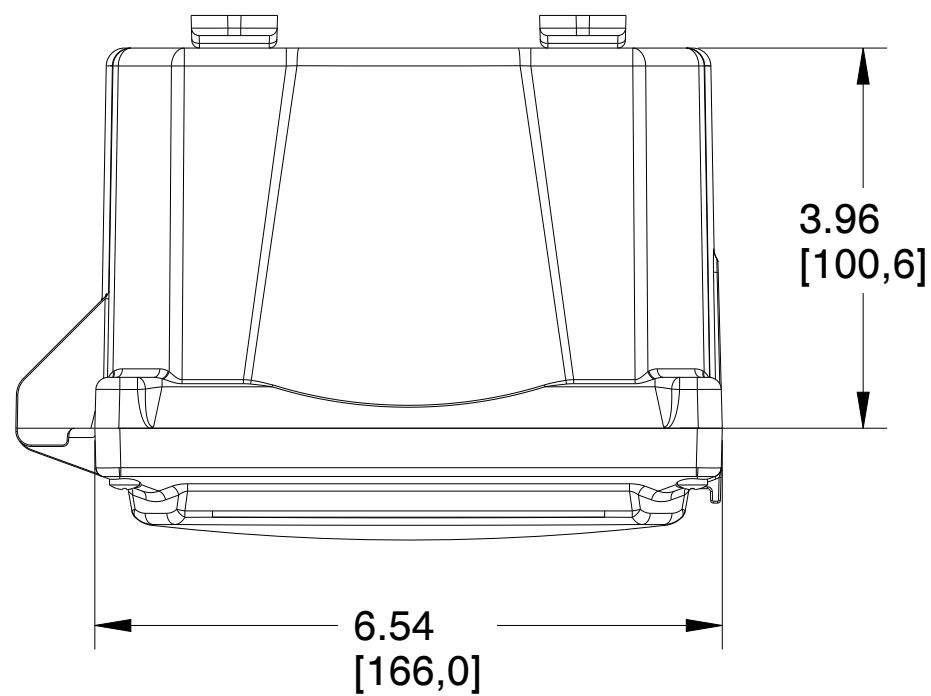
3

2

1

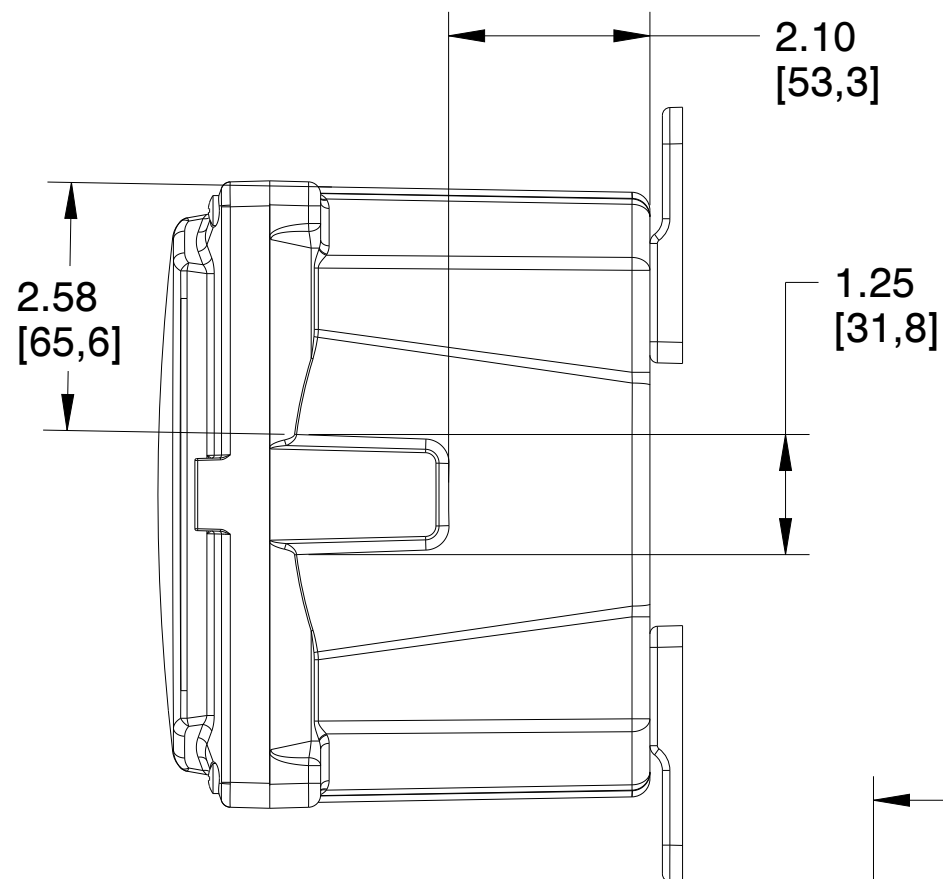
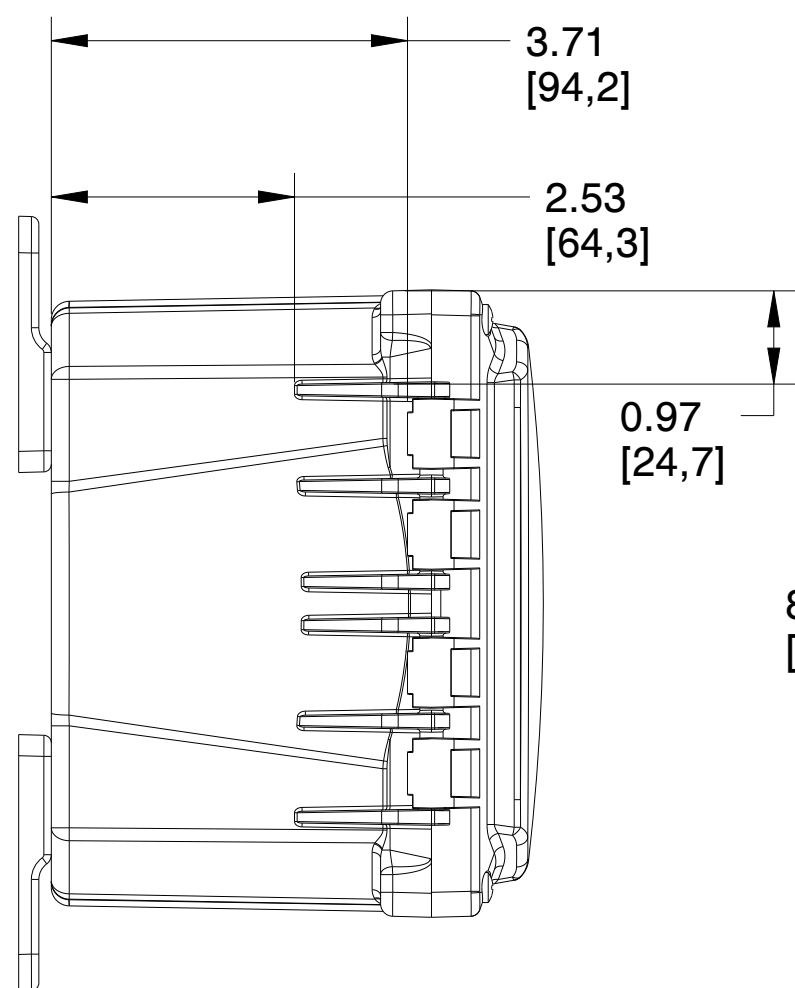
D

D



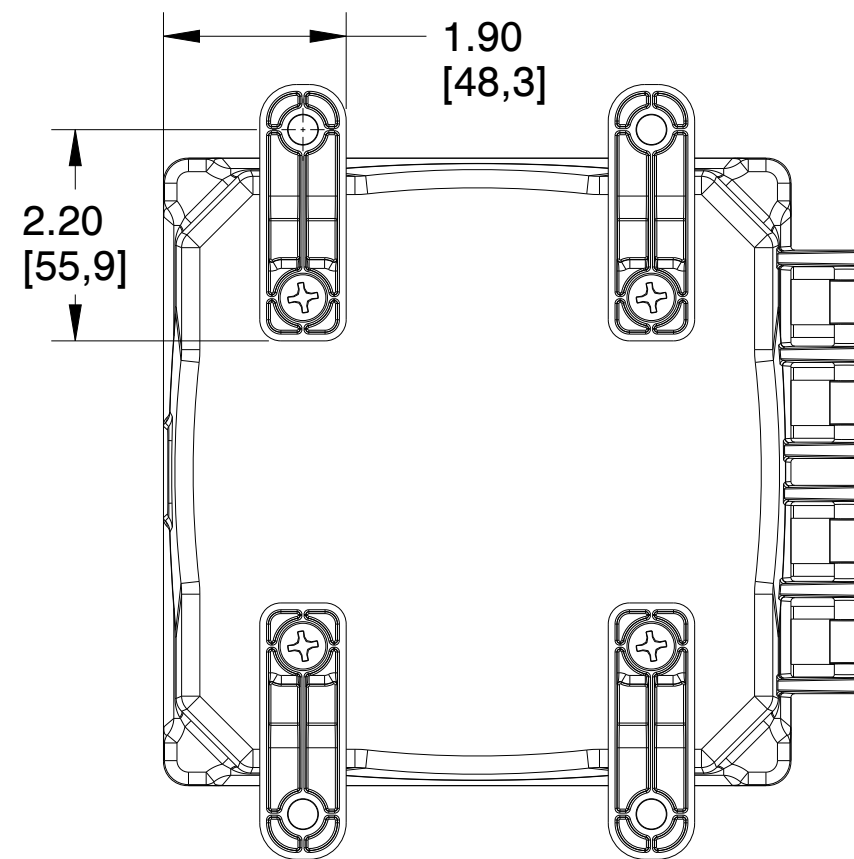
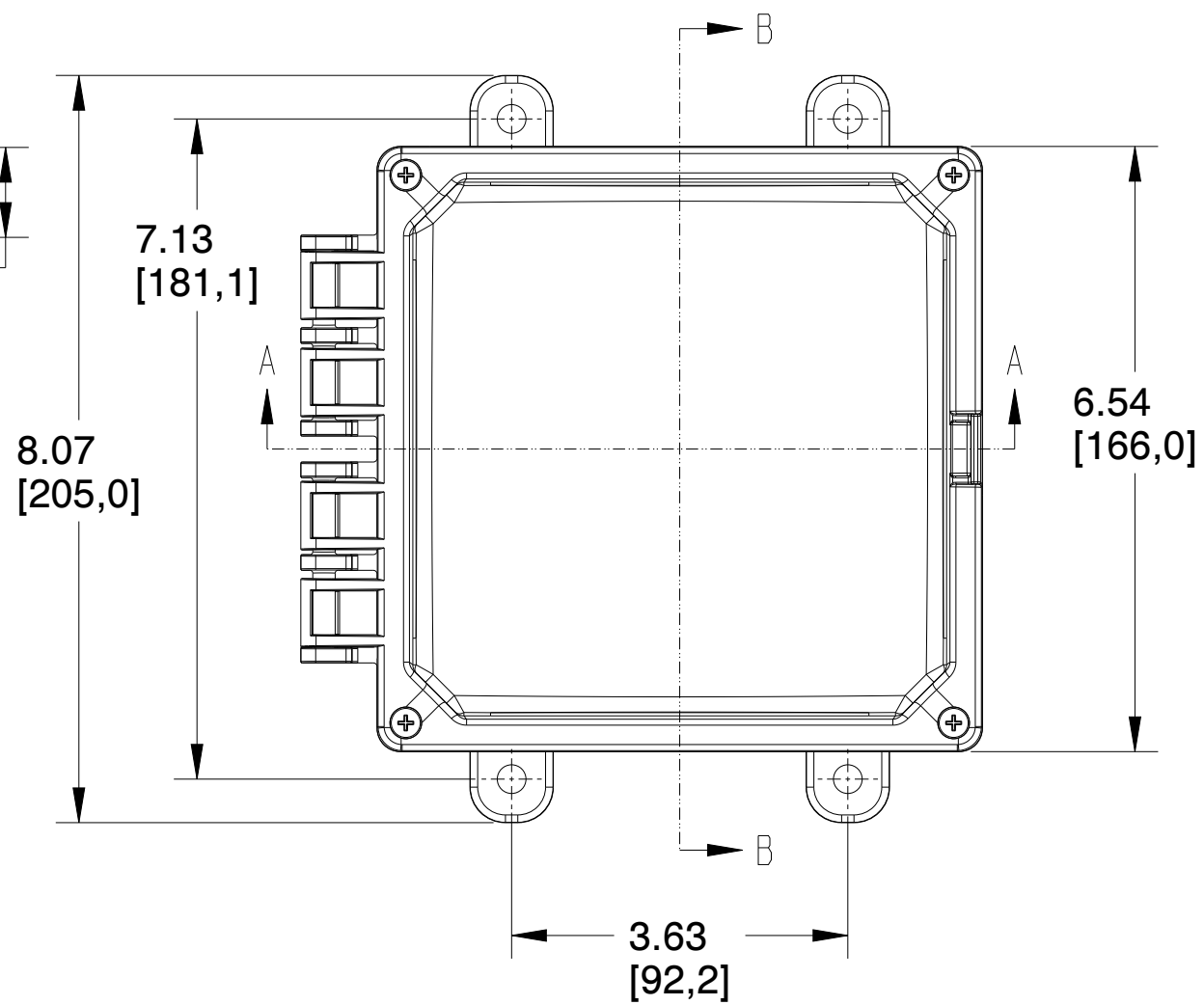
C

C



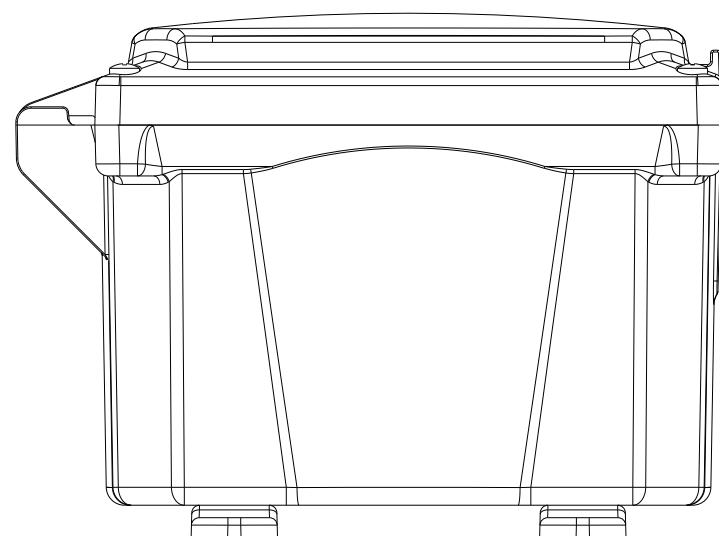
B

B



A

A



**INTEGRA ENCLOSURES**  
 MUM INDUSTRIES  
 8989 TYLER BLVD  
 MENTOR, OHIO, U.S.A.  
 (440) 269-8155 FAX (440) 269-8166

SCALE: 0.500 SHEET: 1 of 2 DRAWN BY: T.PAUL

TITLE: PREM-6X6X4-HNG

DATE: 7.13.2021 DRAWING NUMBER: H6064H REV: A

UNLESS OTHERWISE SPECIFIED, DIMENSIONS ARE IN INCHES (mm) AND ARE NOMINAL ONLY.  
 PROPRIETARY AND CONFIDENTIAL: THE INFORMATION CONTAINED IN THIS DRAWING IS THE SOLE PROPERTY OF INTEGRA ENCLOSURES. ANY REPRODUCTION IN PART OR AS A WHOLE WITHOUT THE WRITTEN PERMISSION OF INTEGRA ENCLOSURES IS PROHIBITED.

4

3

2

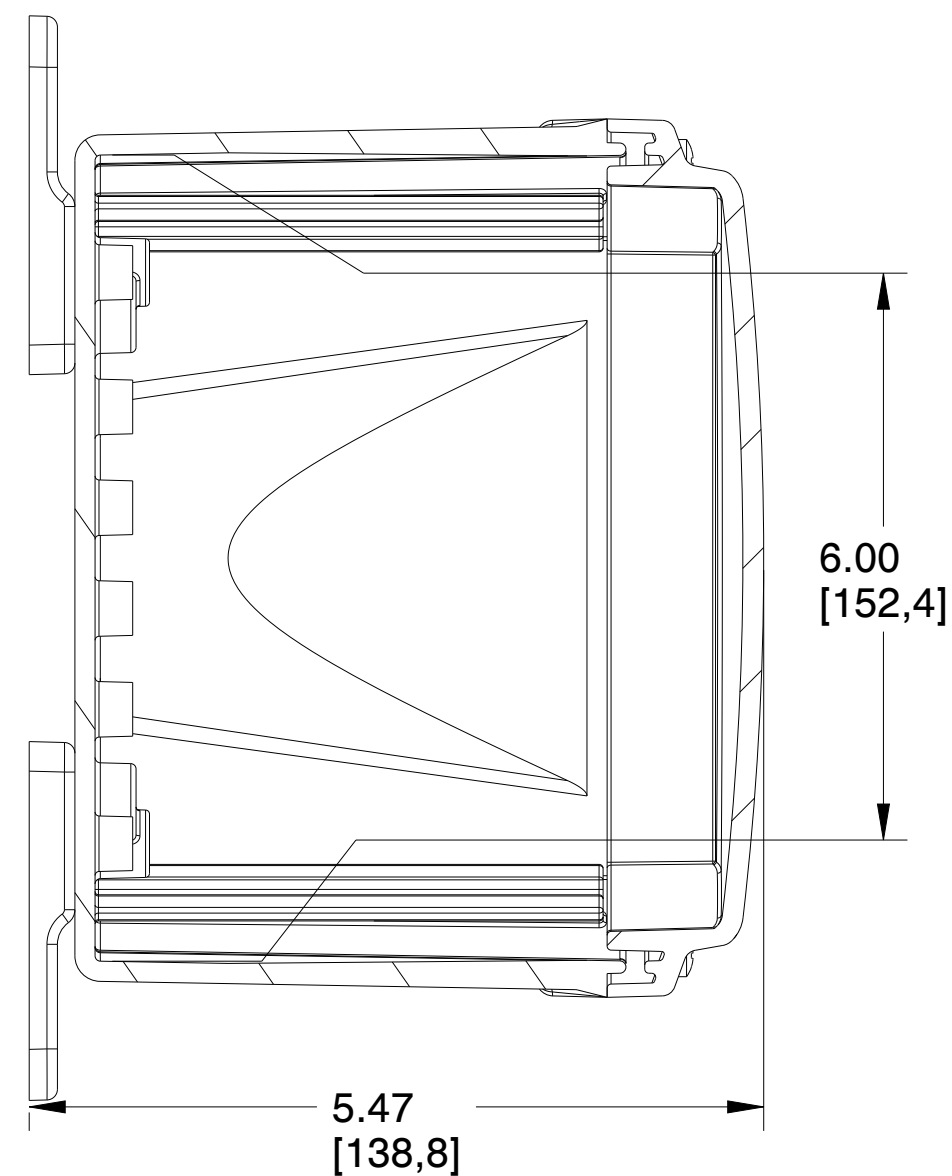
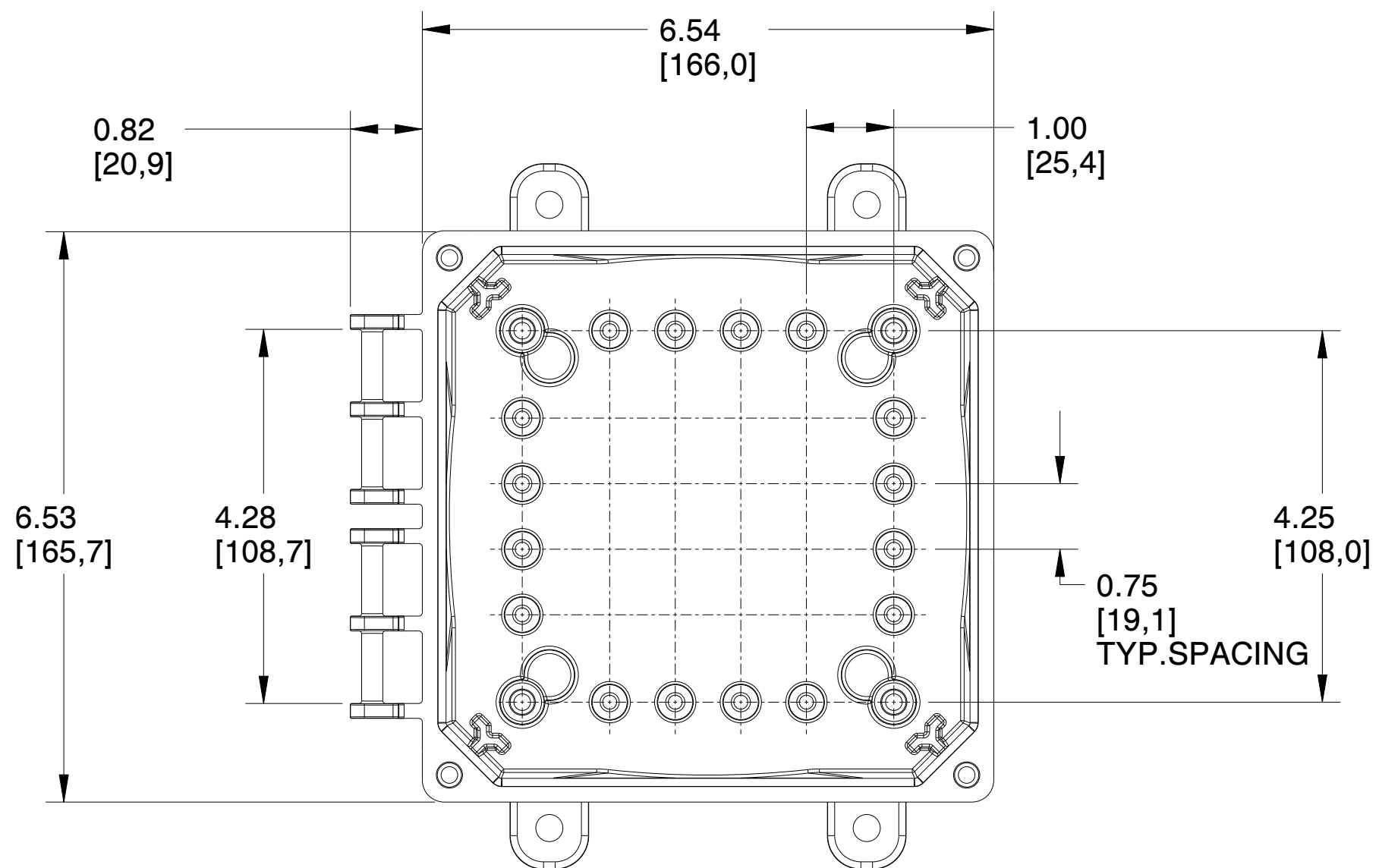
1

4

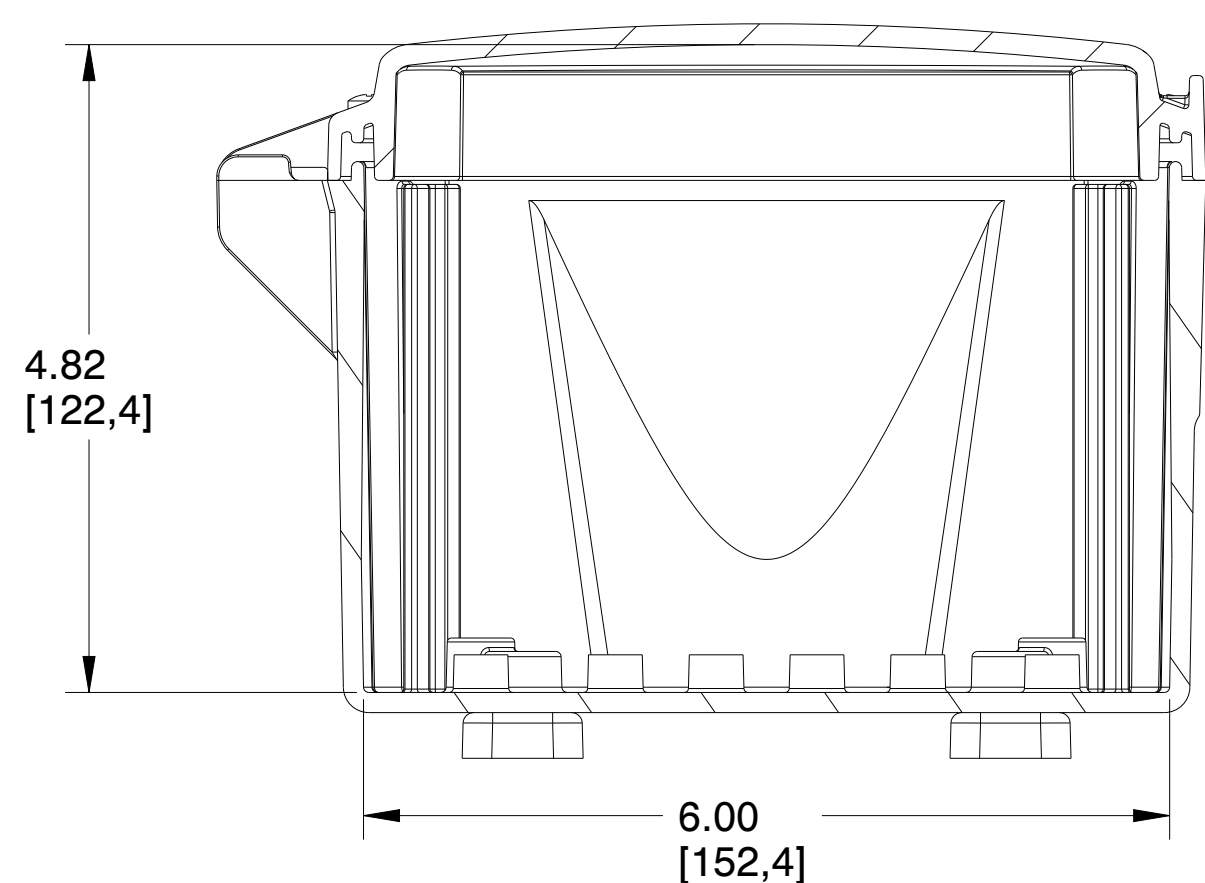
3

2

1



SECTION B-B



SECTION A-A

**INTEGRA ENCLOSURES**  
 MUM INDUSTRIES  
 8989 TYLER BLVD  
 MENTOR, OHIO, U.S.A.  
 (440) 269-8155 FAX (440) 269-8166

SCALE: 0.600 SHEET: 2 of 2 DRAWN BY: T.PAUL

TITLE: PREM-6X6X4-HNG

DATE: 7.13.2021 DRAWING NUMBER: H6064H REV: A

UNLESS OTHERWISE SPECIFIED:  
 DIMENSIONS ARE IN INCHES (mm)  
 AND ARE NOMINAL ONLY  
 PROPRIETARY AND CONFIDENTIAL:  
 THE INFORMATION CONTAINED IN THIS  
 DRAWING IS THE SOLE PROPERTY OF  
 INTEGRA ENCLOSURES. ANY  
 REPRODUCTION IN PART OR AS A  
 WHOLE WITHOUT THE WRITTEN  
 PERMISSION OF INTEGRA  
 ENCLOSURES IS PROHIBITED.

4

3

2

1

D

D

C

C

B

B

A

A