

4

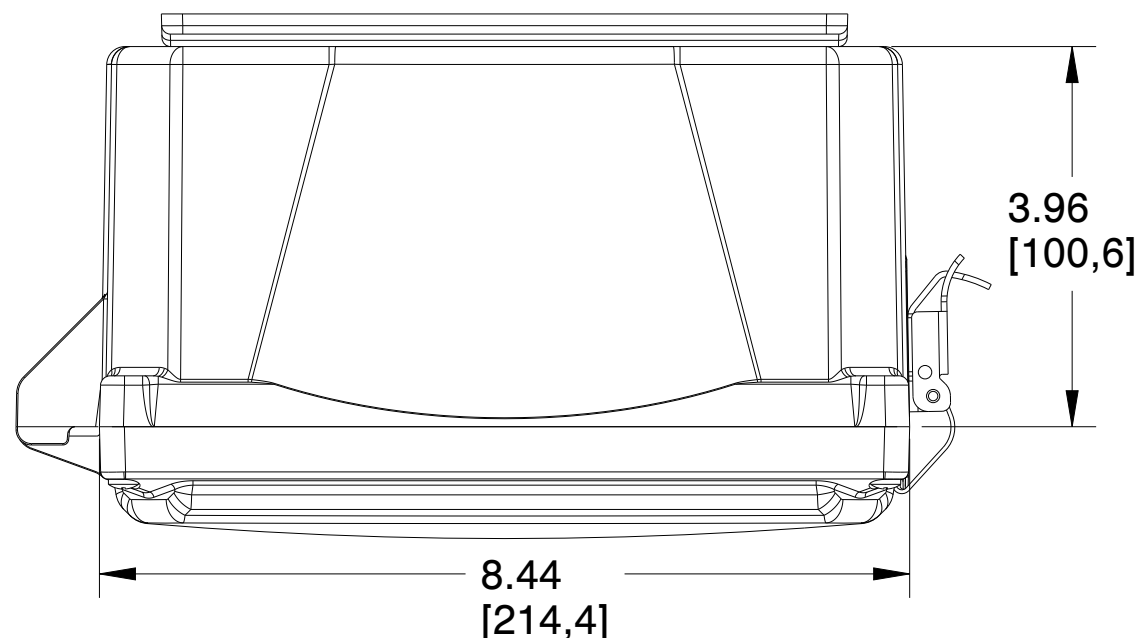
3

2

1

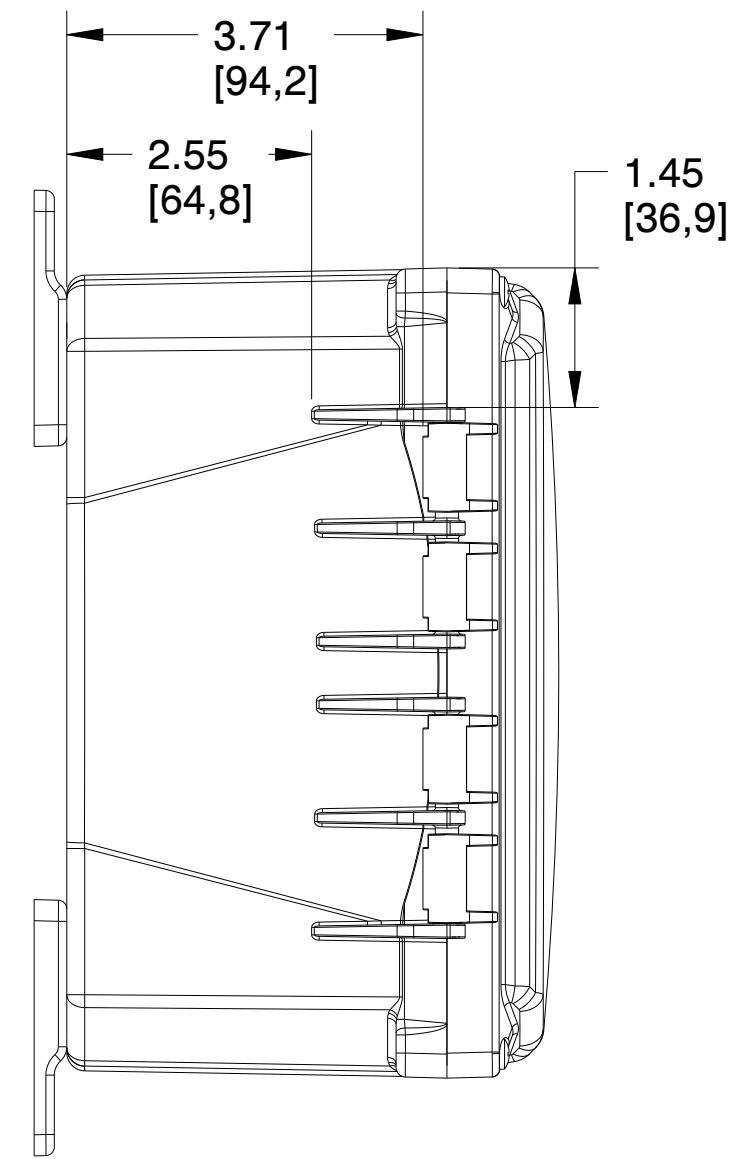
D

D



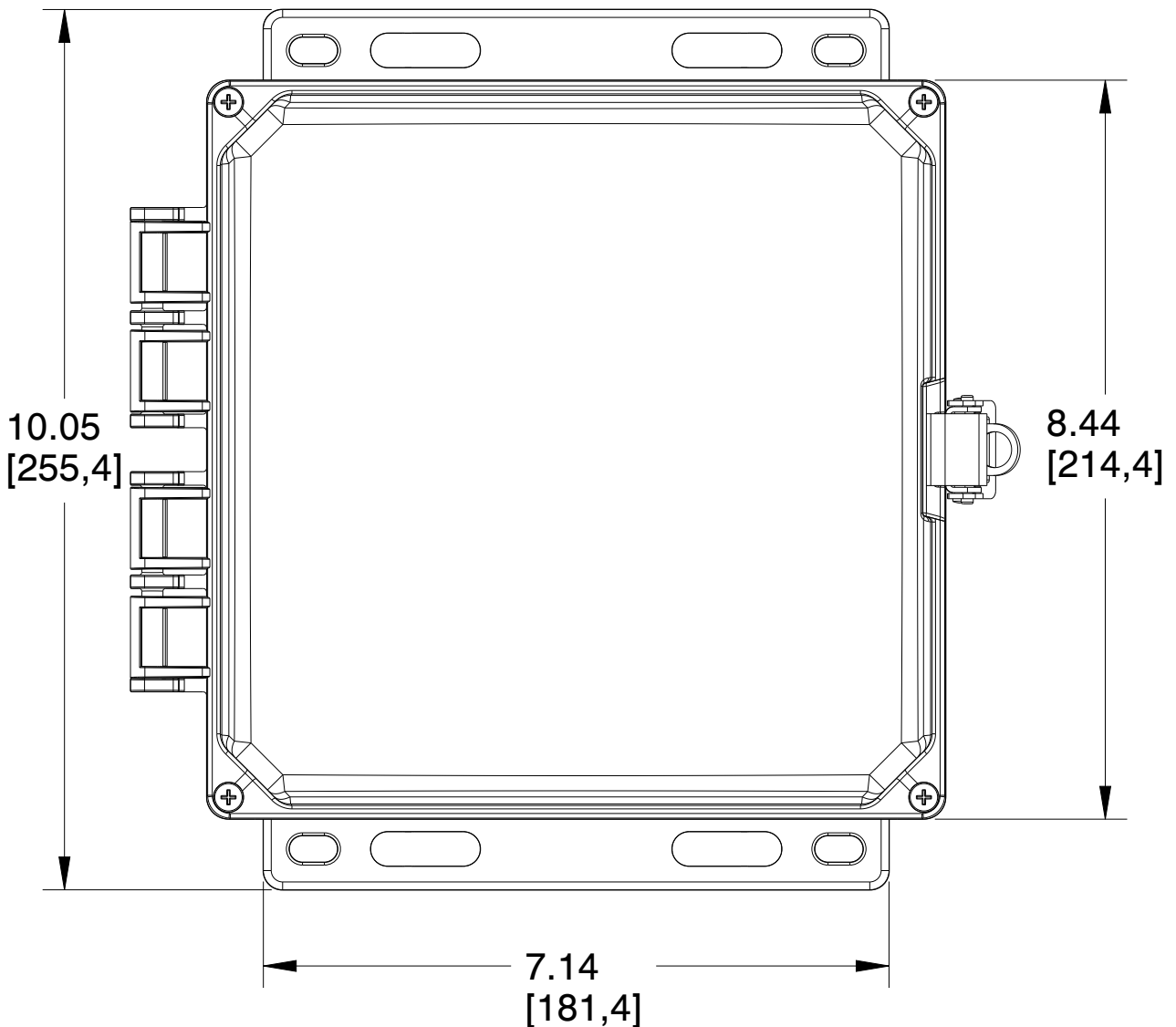
C

C



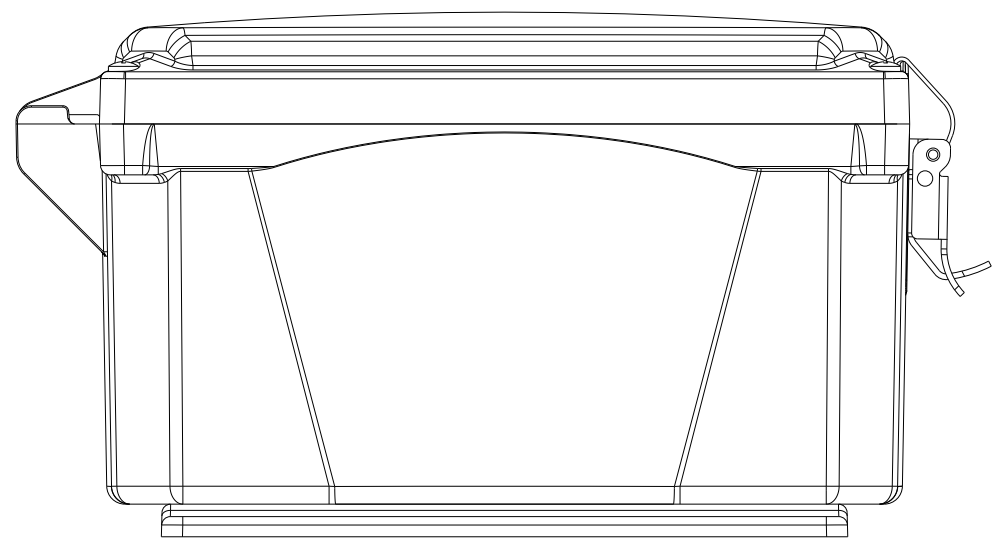
B

B



A

A

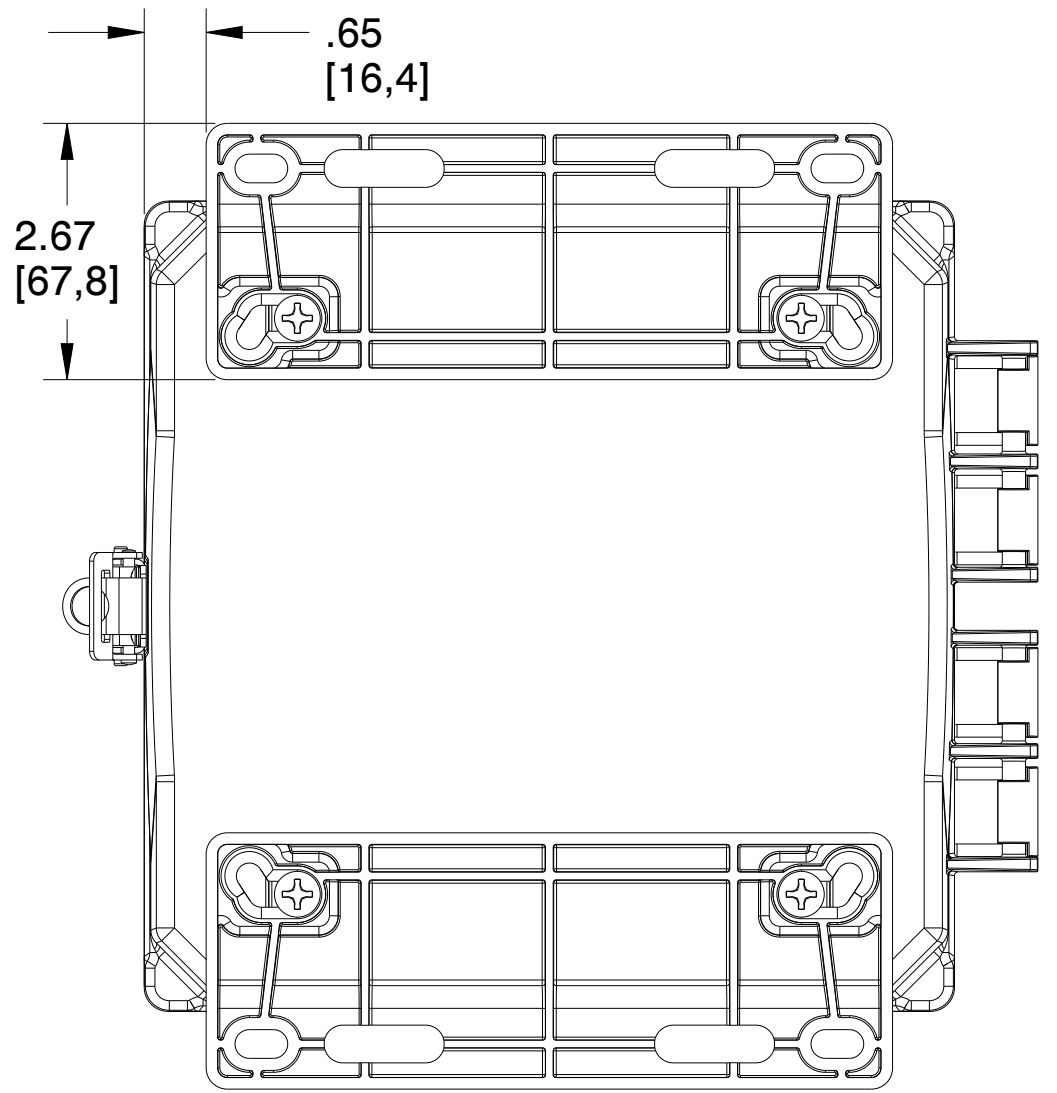
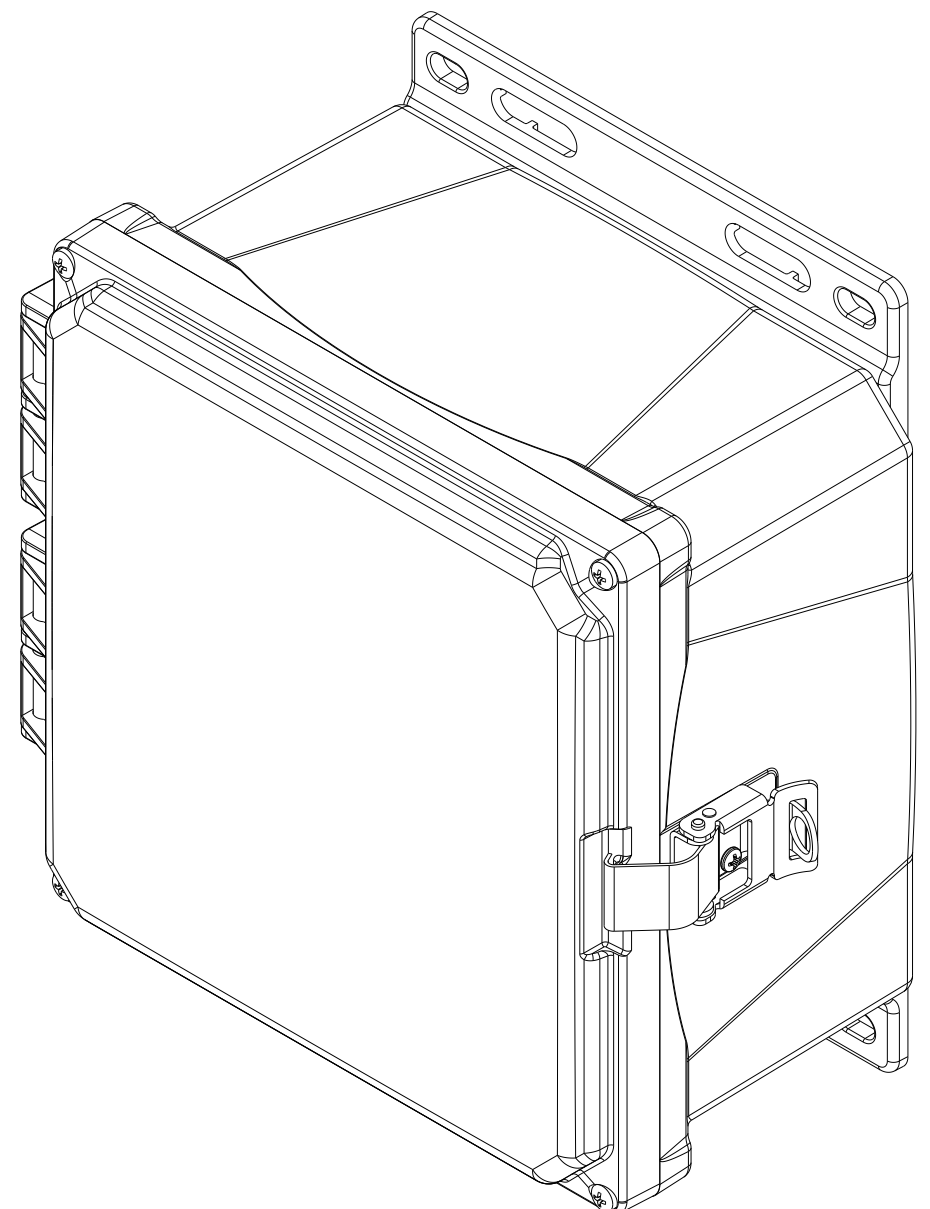
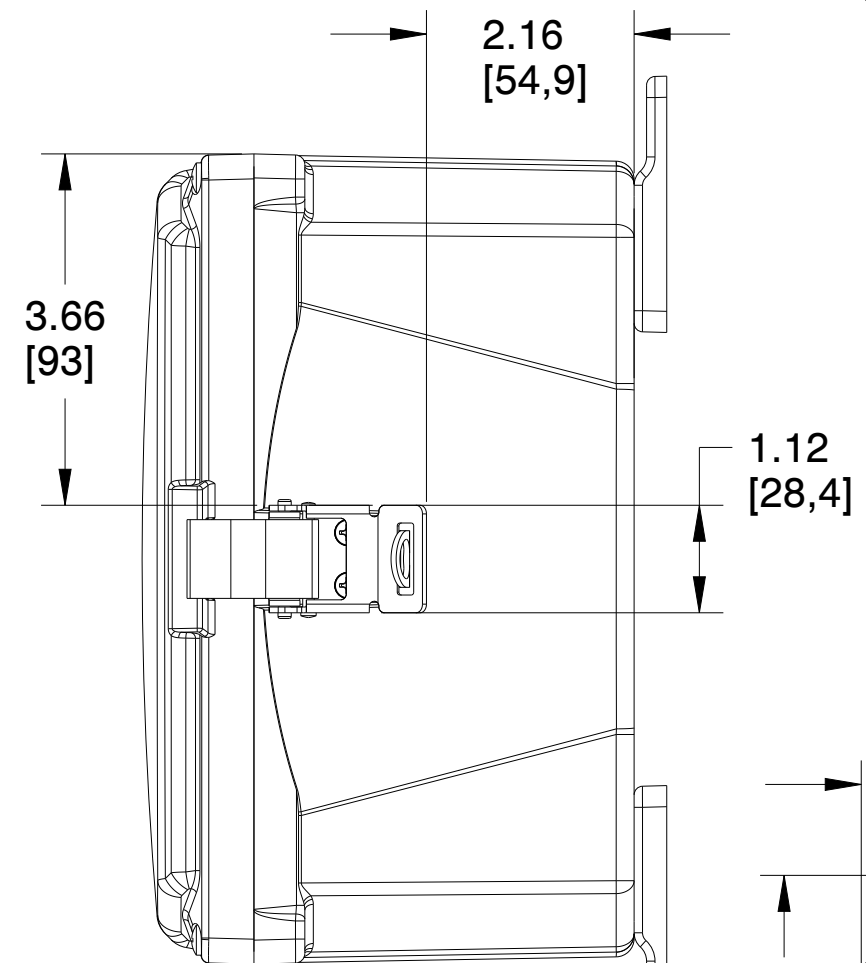


4

3

2

1



MUM INDUSTRIES
8989 TYLER BLVD
MENTOR, OHIO, U.S.A.
(440) 269-8155 FAX (440) 269-8166

SCALE 0.500	SHEET 1 of 2	DRAWN BY T.PAUL
----------------	-----------------	--------------------

TITLE
PREM-8X8X4-HNG-GRY-SLL

DATE 07.28.2021	DRAWING NUMBER H8084HFL	REV A
--------------------	----------------------------	----------

UNLESS OTHERWISE SPECIFIED:
DIMENSIONS ARE IN INCHES (mm)
AND ARE NOMINAL ONLY.

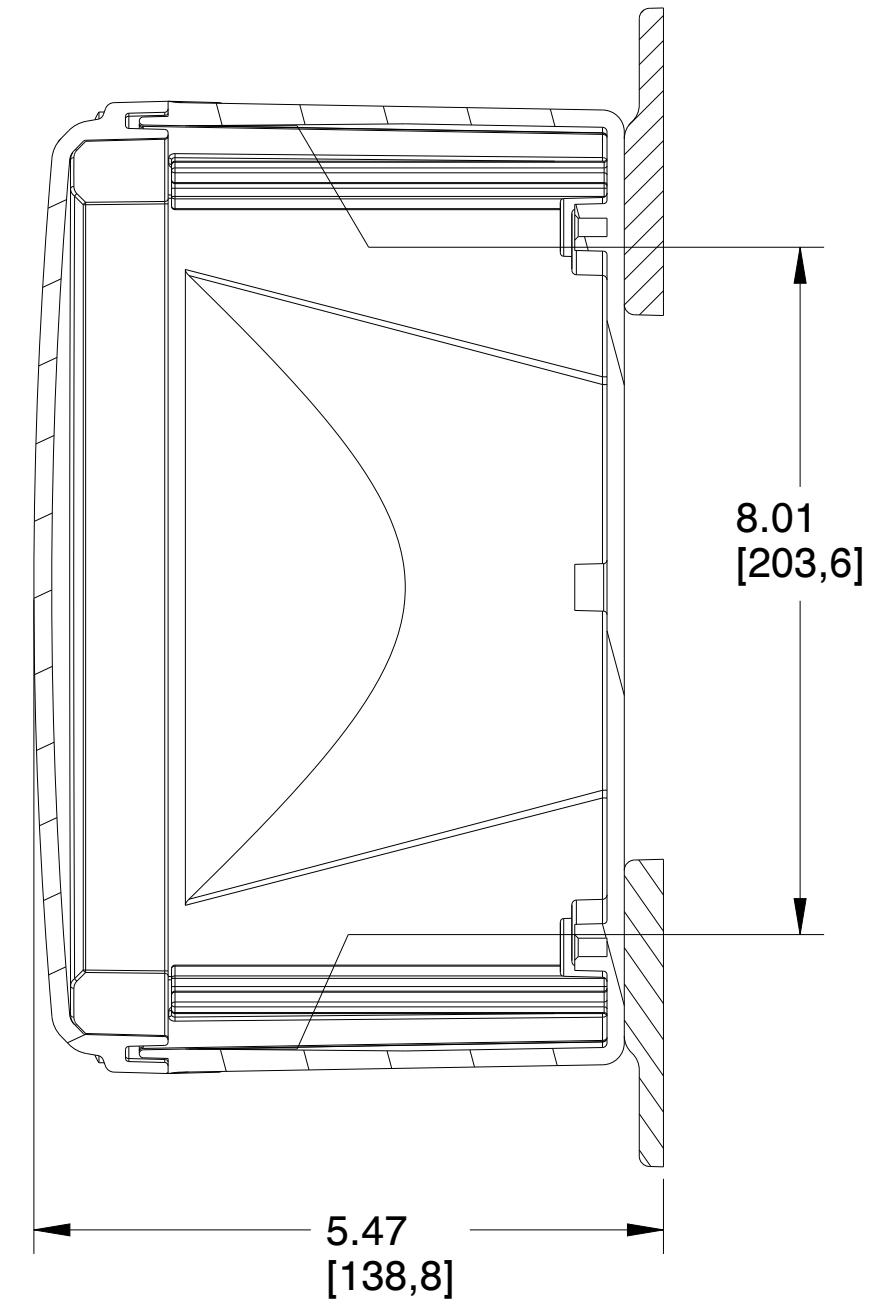
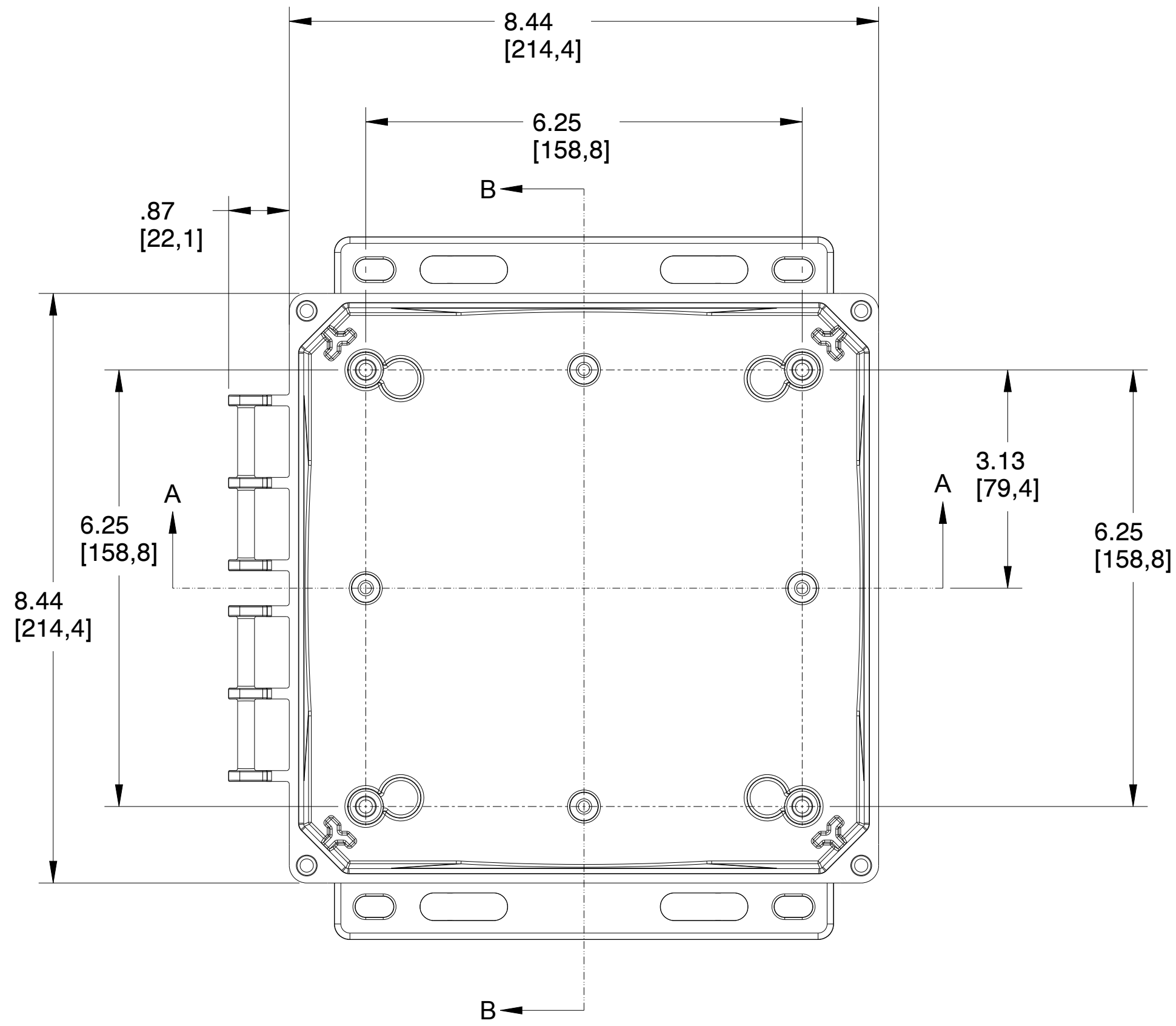
PROPRIETARY AND CONFIDENTIAL:
THE INFORMATION CONTAINED IN THIS
DRAWING IS THE SOLE PROPERTY OF
INTEGRA ENCLOSURES. ANY
REPRODUCTION IN PART OR AS A
WHOLE WITHOUT THE WRITTEN
PERMISSION OF INTEGRA
ENCLOSURES IS PROHIBITED.

4

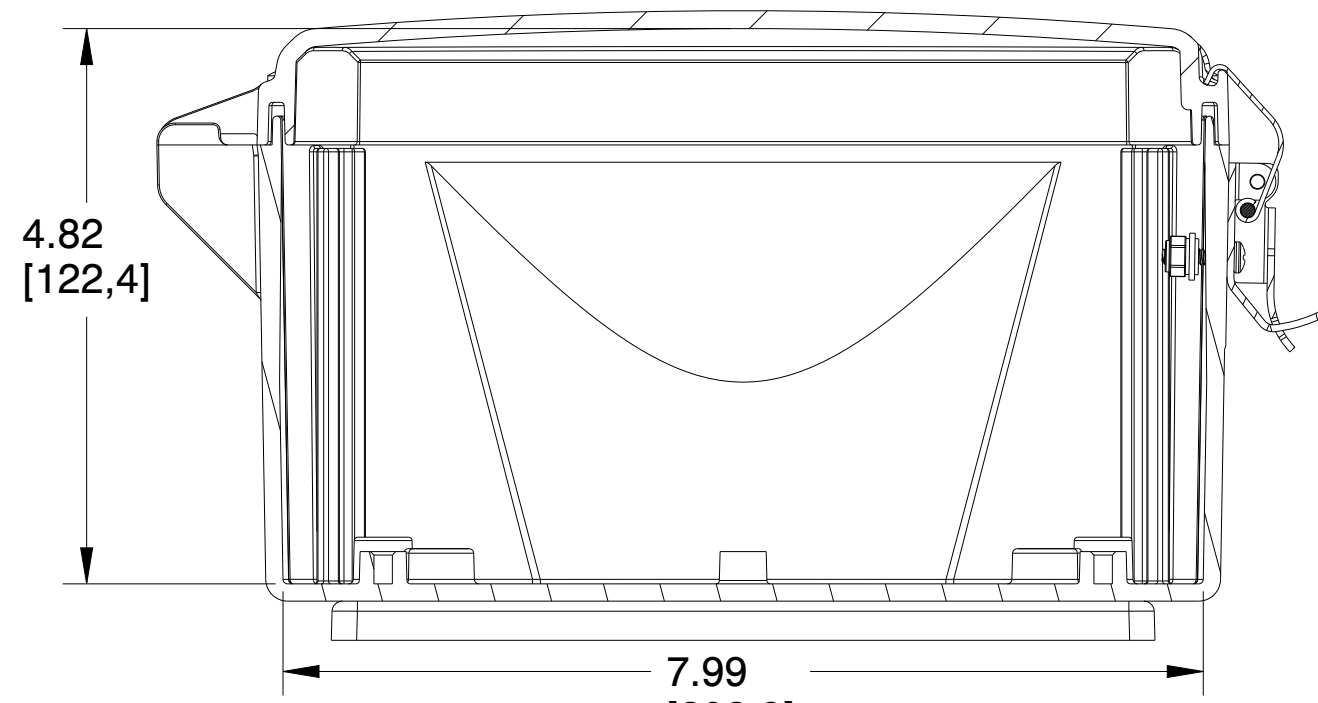
3

2

1



SECTION B-B



SECTION A-A

		MUM INDUSTRIES 8989 TYLER BLVD MENTOR, OHIO, U.S.A. (440) 269-8155 FAX (440) 269-8166	
		SCALE 0.600	SHEET 2 of 2
TITLE PREM-8X8X4-HNG-GRY-SLL			
<small>UNLESS OTHERWISE SPECIFIED: DIMENSIONS ARE IN INCHES (mm) AND ARE NOMINAL ONLY.</small>		DATE 07.28.2021	DRAWING NUMBER H8084HFLL
<small>PROPRIETARY AND CONFIDENTIAL: THE INFORMATION CONTAINED IN THIS DRAWING IS THE SOLE PROPERTY OF INTEGRA ENCLOSURES. ANY REPRODUCTION IN PART OR AS A WHOLE WITHOUT THE WRITTEN PERMISSION OF INTEGRA ENCLOSURES IS PROHIBITED.</small>			REV A

4

3

2

1