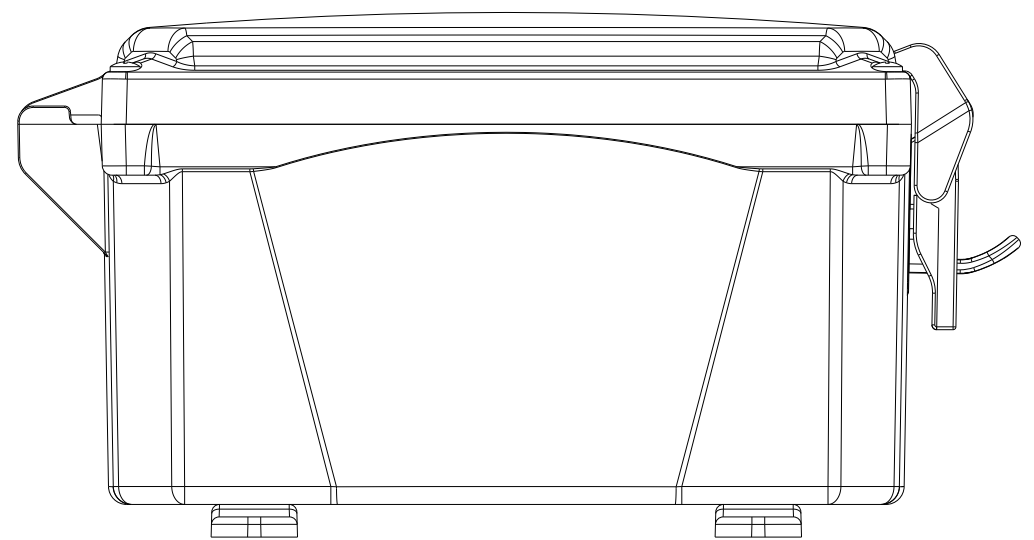
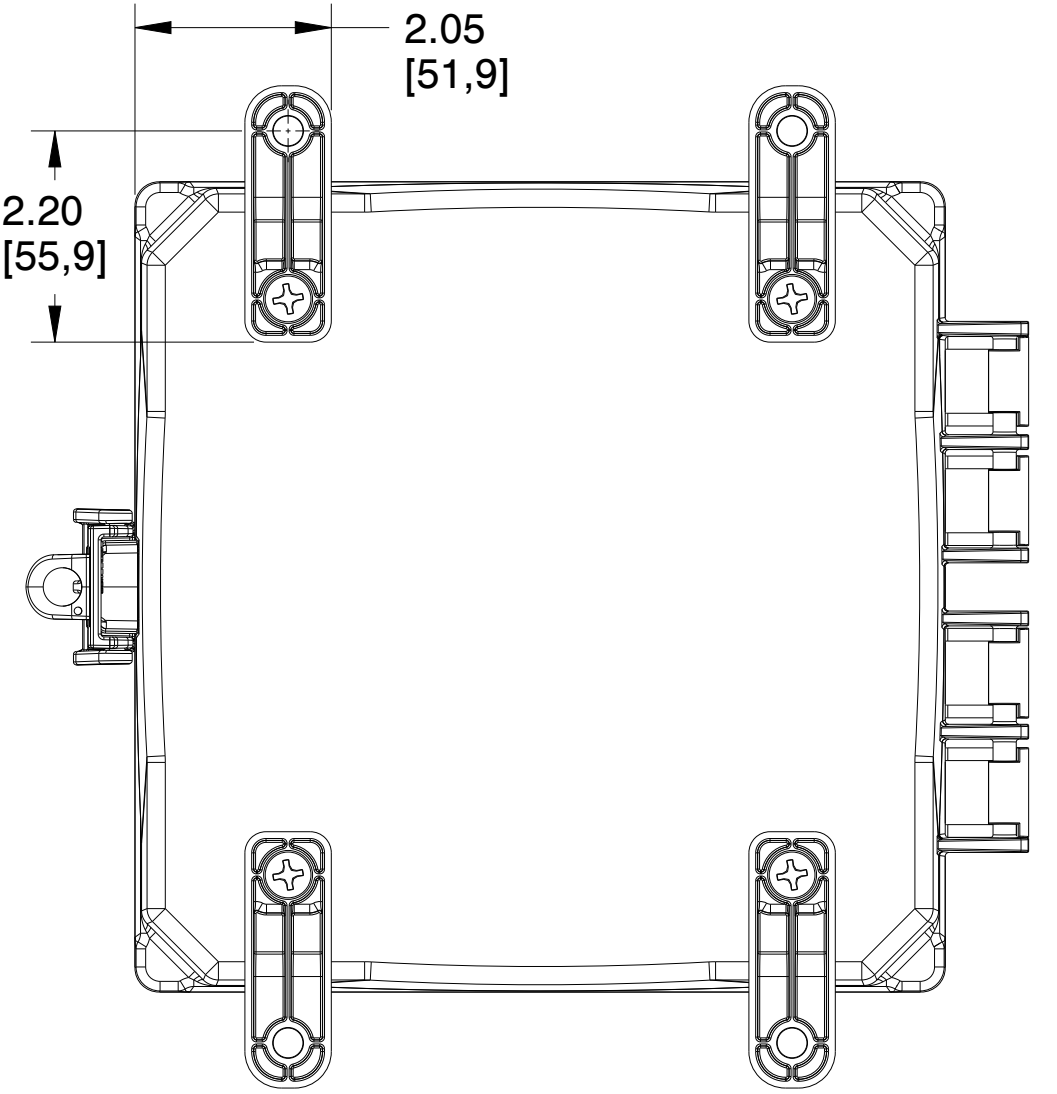
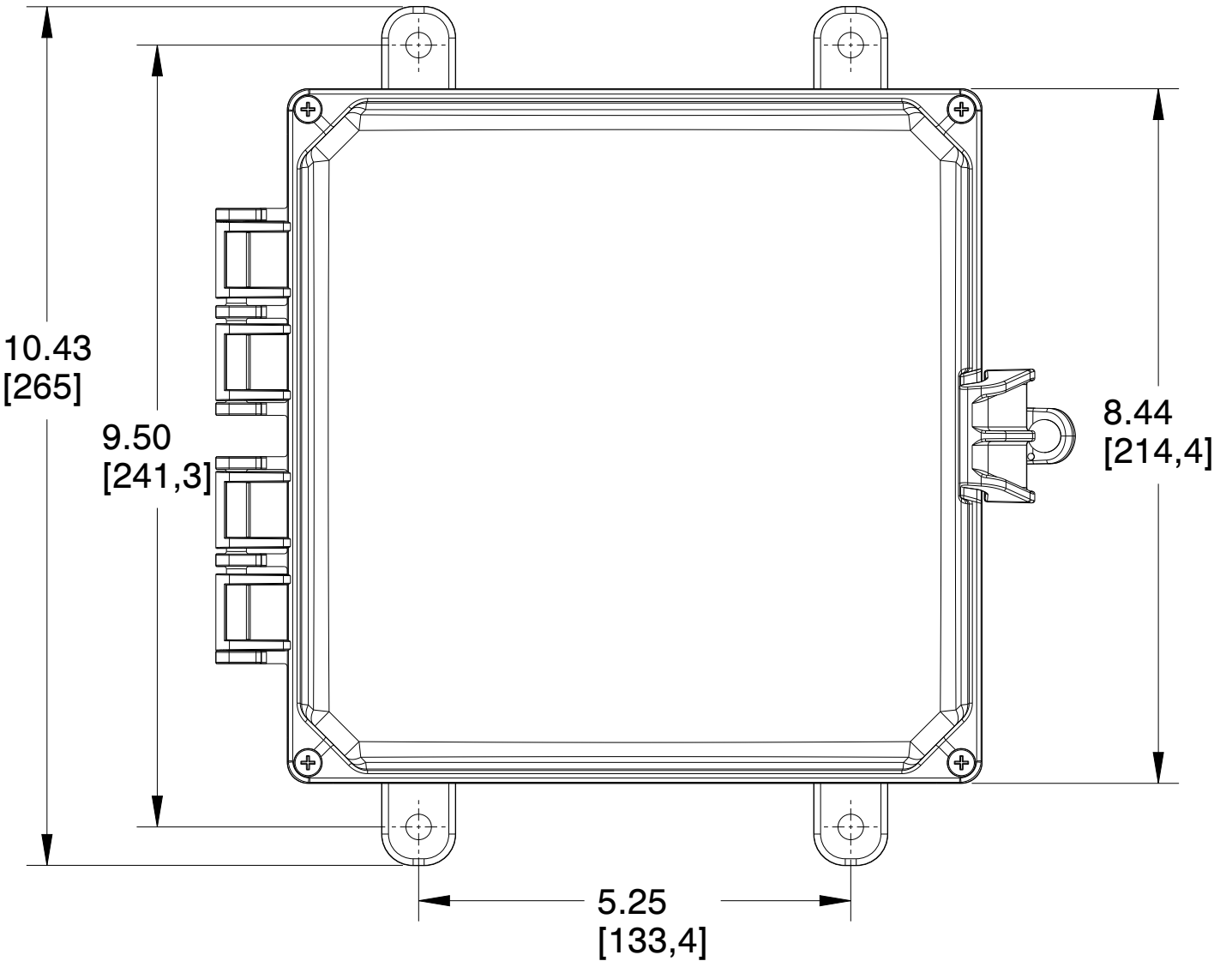
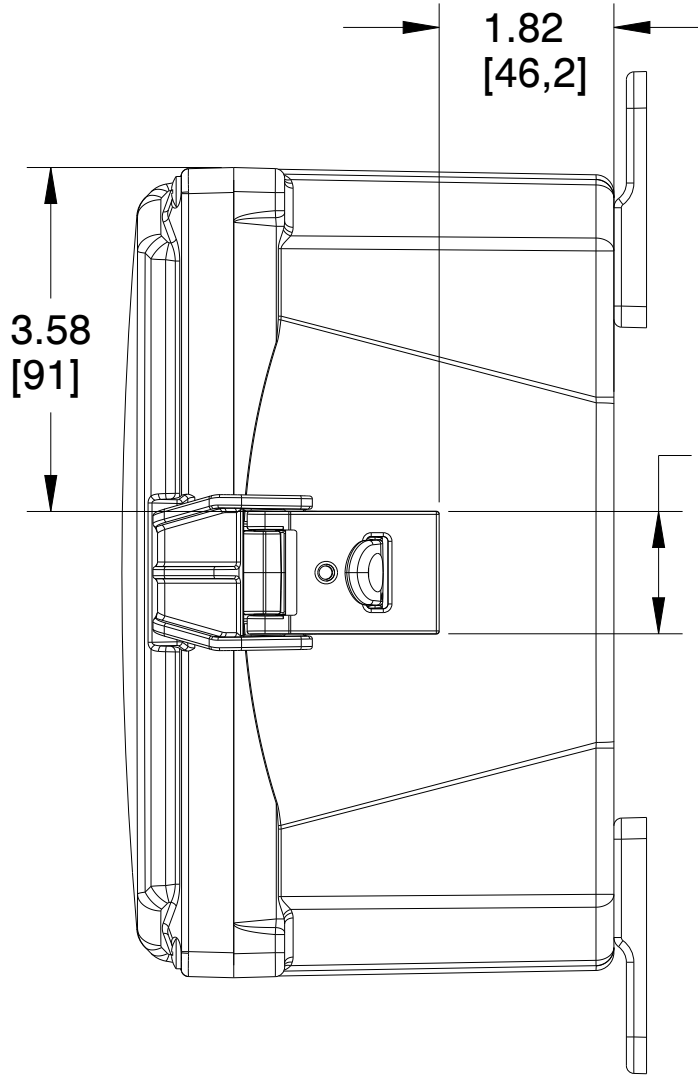
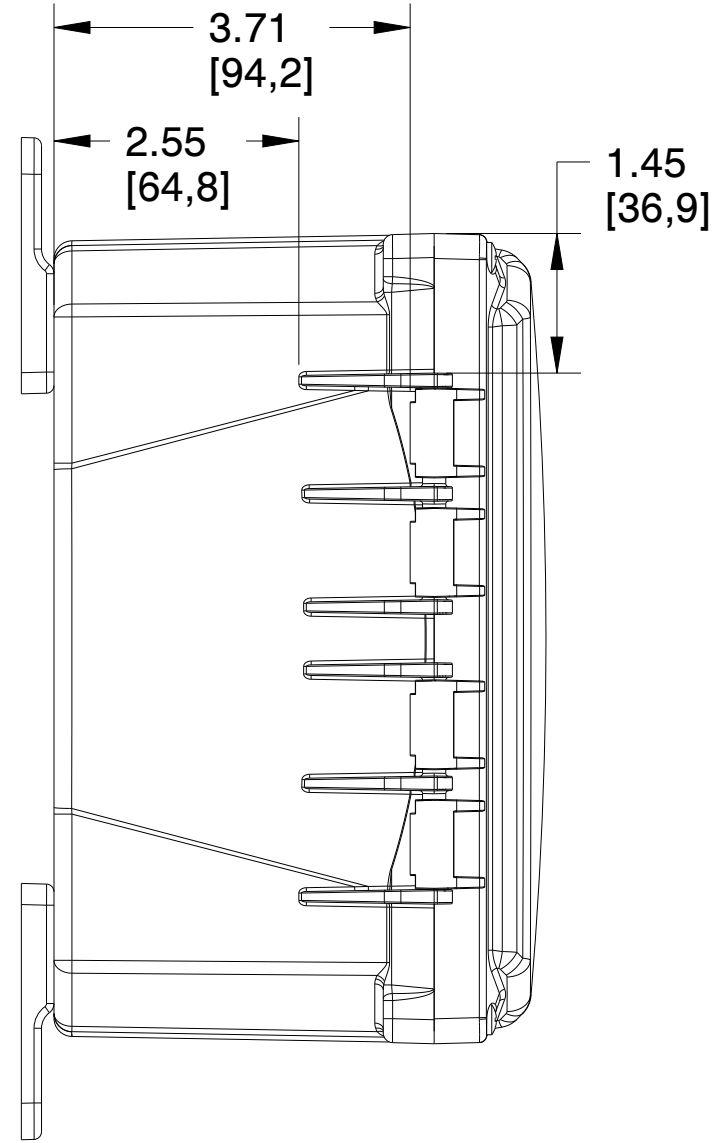
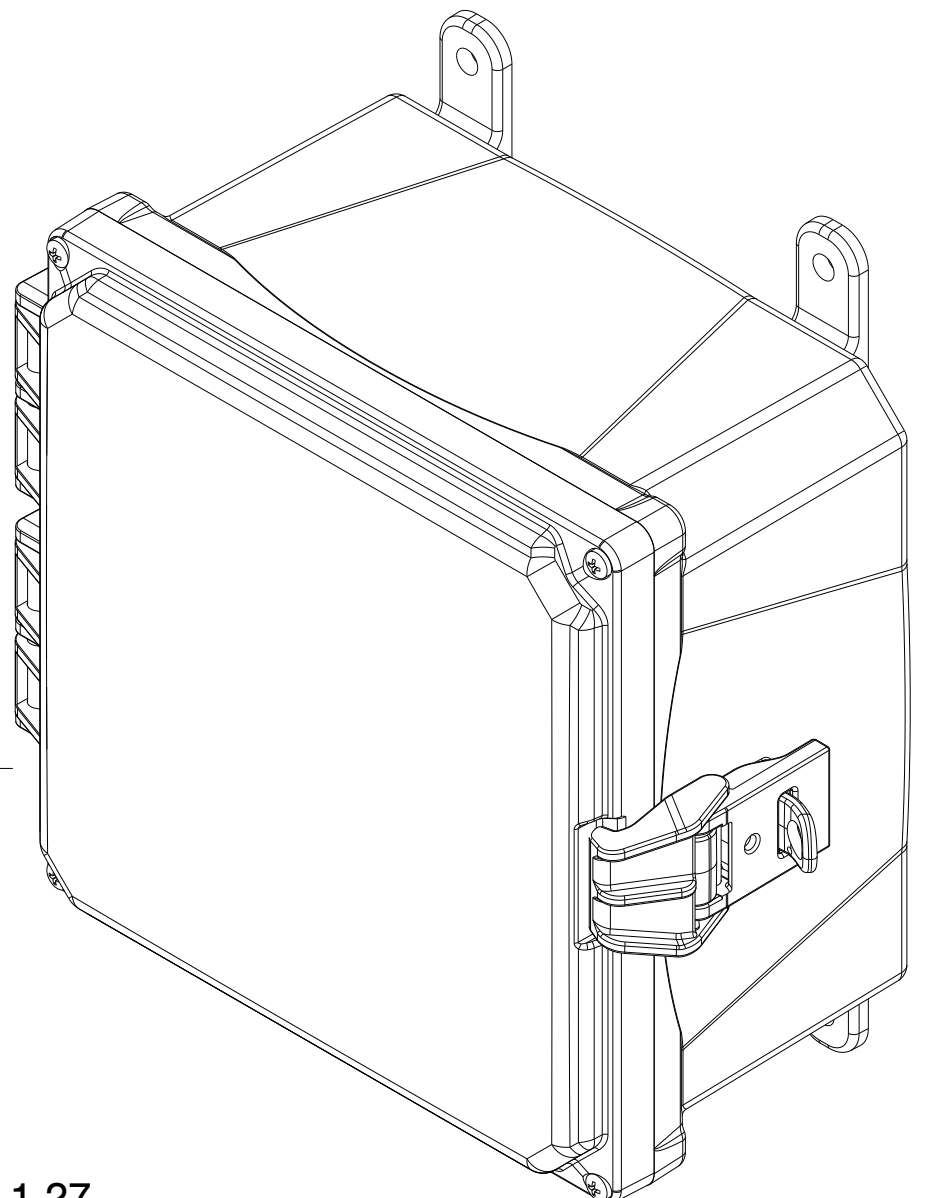
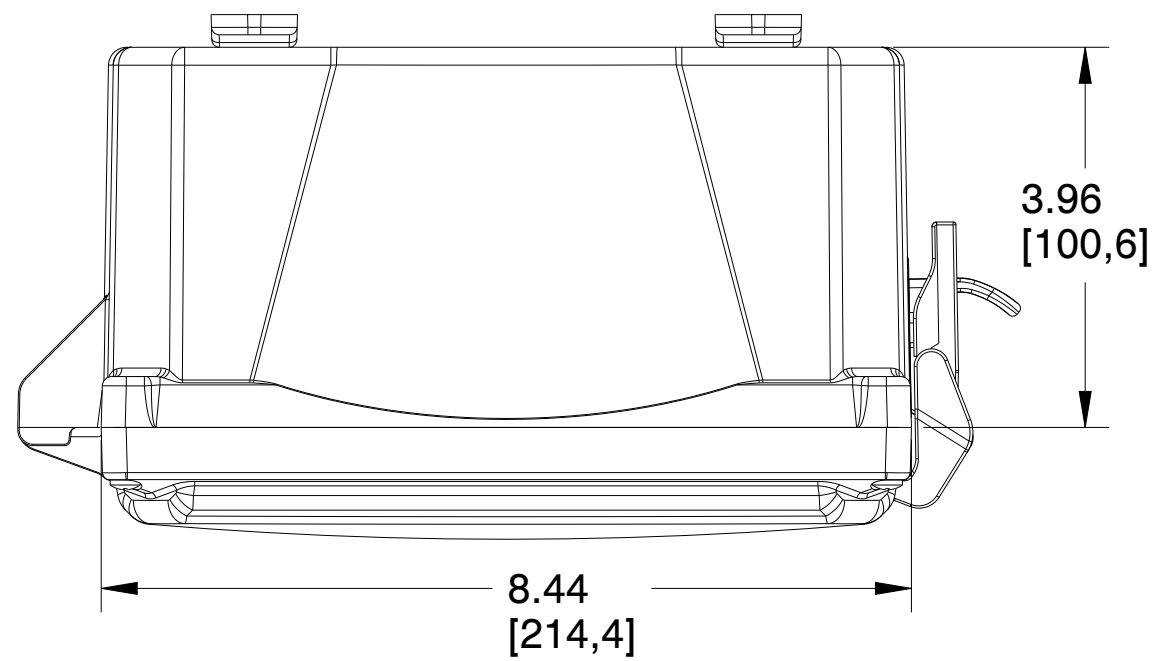


4

3

2

1



| | | | |
|------------------------|----------------|--|--|
| | | MUM INDUSTRIES 8989 TYLER BLVD MENTOR, OHIO, U.S.A. (440) 269-8155 FAX (440) 269-8166 | |
| SCALE | SHEET | DRAWN BY | |
| 0.500 | 1 of 2 | T.PAUL | |
| TITLE | | | |
| PREM-8X8X4-HNG-GRY-NML | | | |
| DATE | DRAWING NUMBER | REV | |
| 07.28.2021 | H8084HNL | A | |

4

3

2

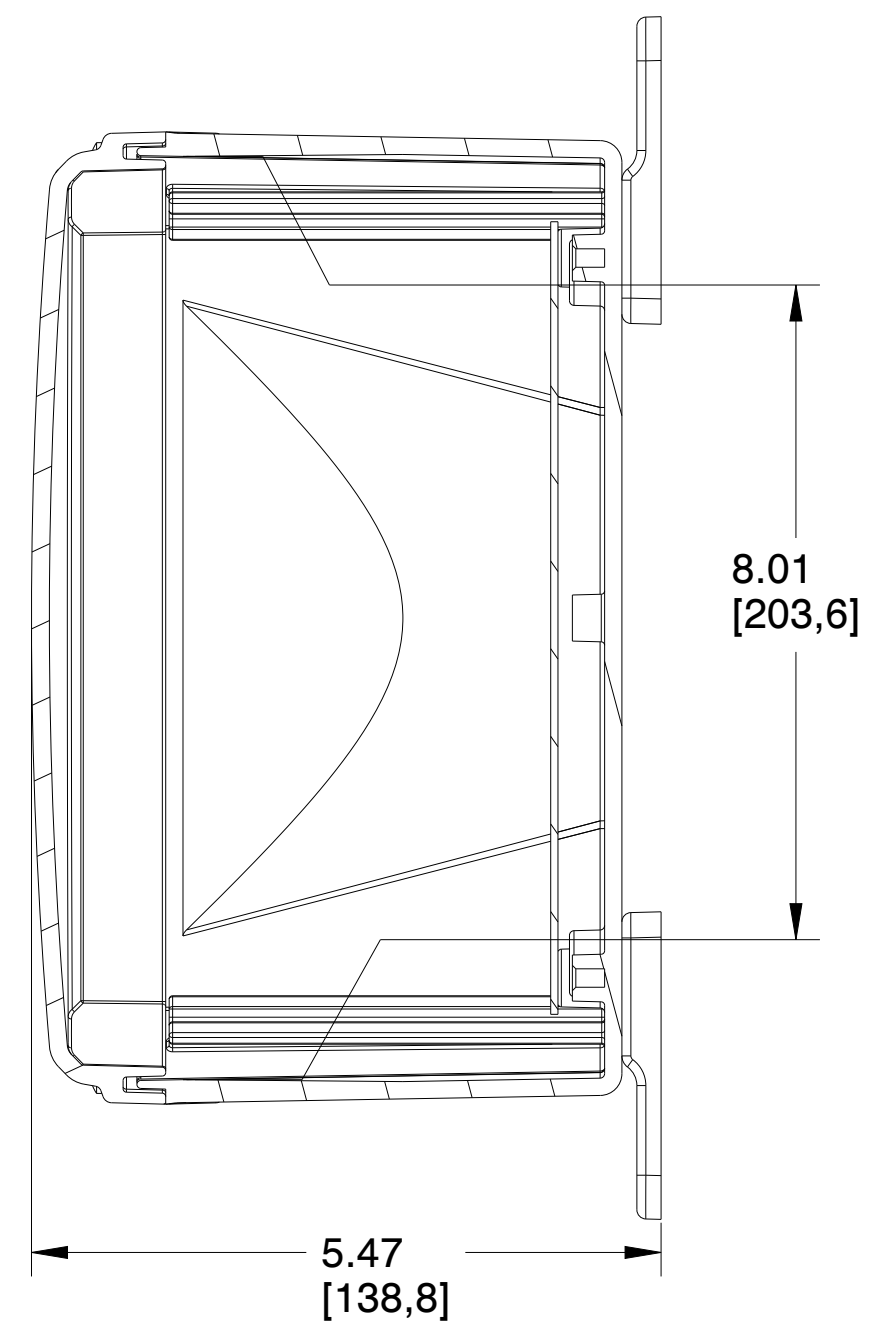
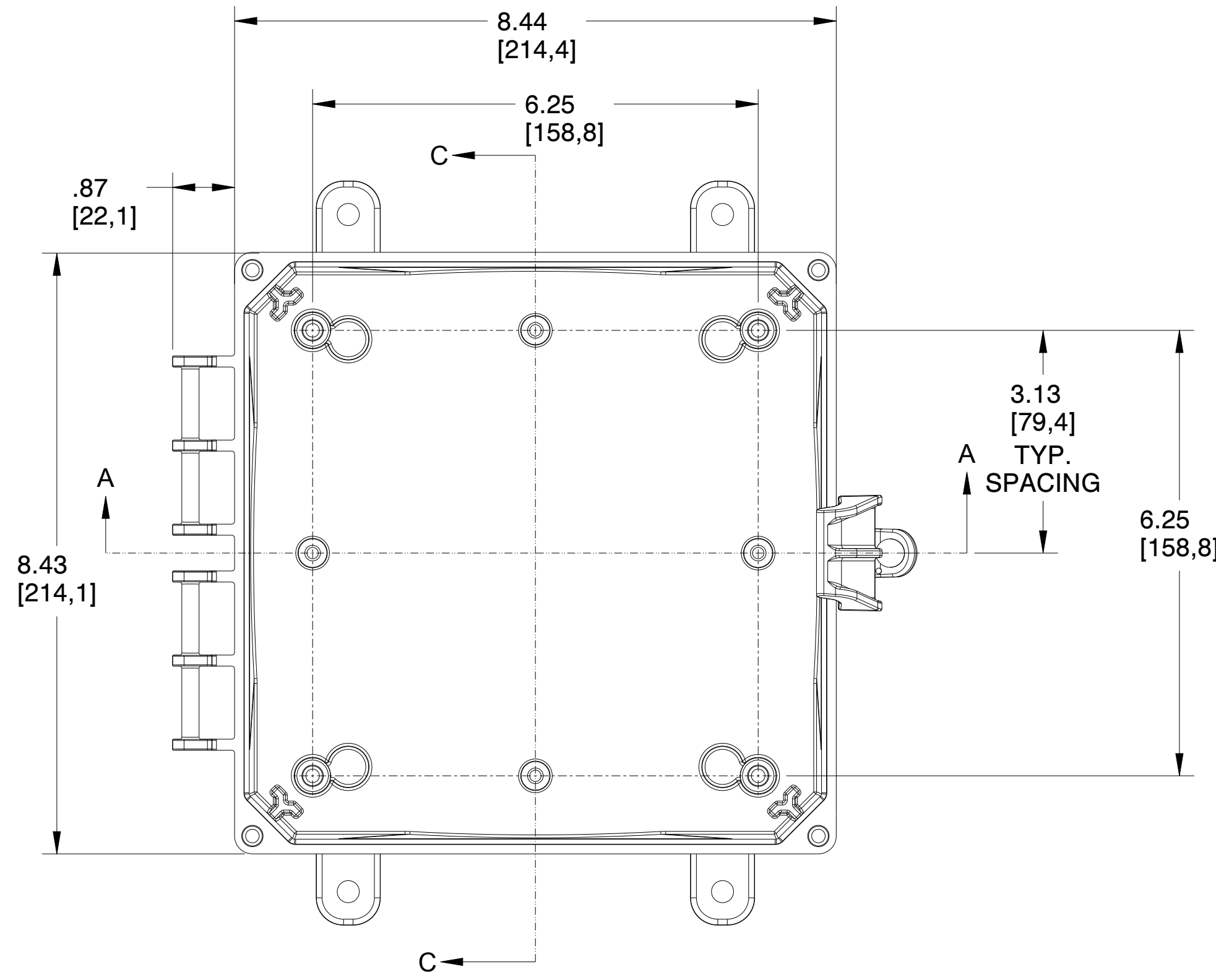
1

4

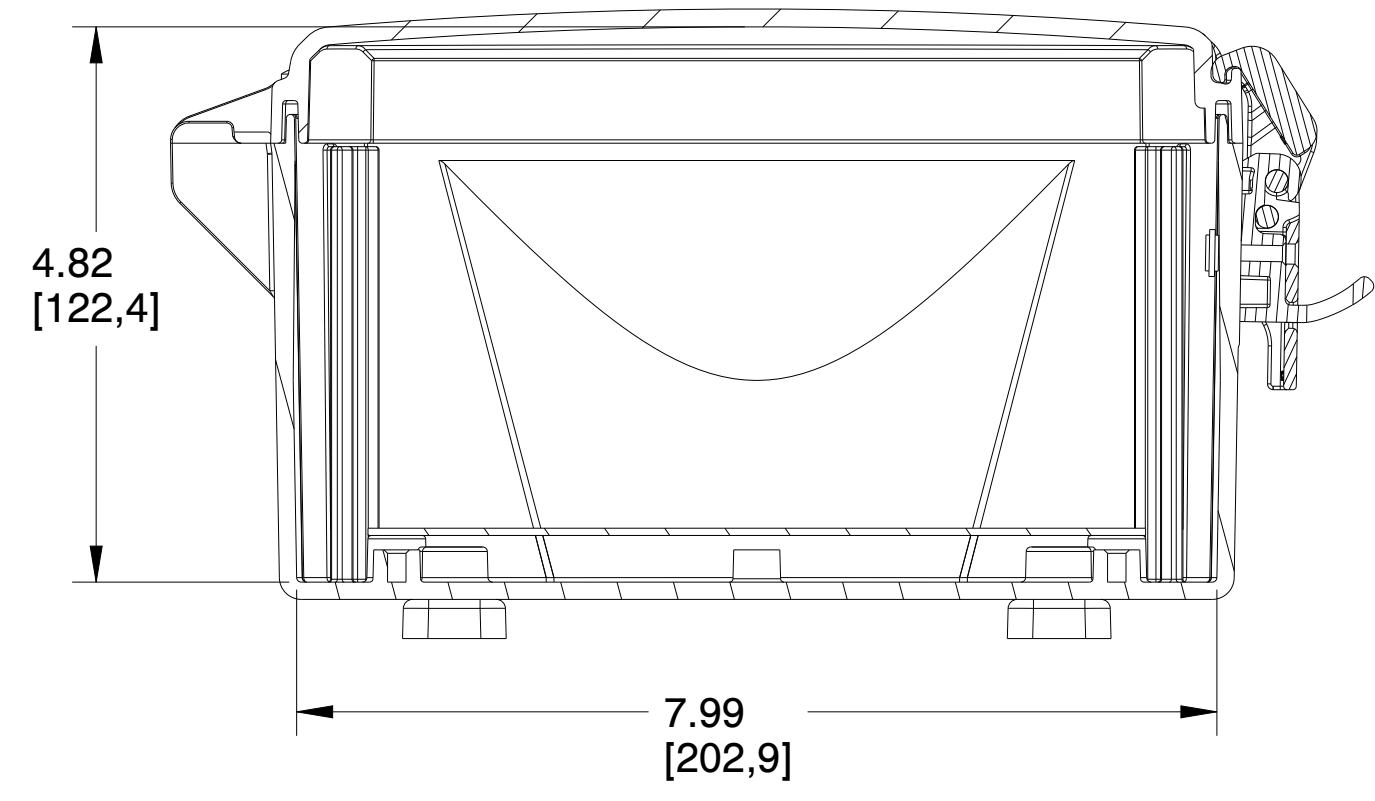
3

2

1



SECTION C-C



SECTION A-A

| | | | |
|------------------------|----------------|--|--|
| | | MUM INDUSTRIES 8989 TYLER BLVD MENTOR, OHIO, U.S.A. (440) 269-8155 FAX (440) 269-8166 | |
| SCALE | SHEET | DRAWN BY | |
| 0.600 | 2 of 2 | T.PAUL | |
| TITLE | | | |
| PREM-8X8X4-HNG-GRY-NML | | | |
| DATE | DRAWING NUMBER | REV | |
| 07.28.2021 | H8084HNL | A | |

UNLESS OTHERWISE SPECIFIED:
DIMENSIONS ARE IN INCHES (mm)
AND ARE NOMINAL ONLY

PROPRIETARY AND CONFIDENTIAL:
THE INFORMATION CONTAINED IN THIS
DRAWING IS THE SOLE PROPERTY OF
INTEGRA ENCLOSURES. ANY
REPRODUCTION IN PART OR AS A
WHOLE WITHOUT THE WRITTEN
PERMISSION OF INTEGRA
ENCLOSURES IS PROHIBITED.

4

3

2

1