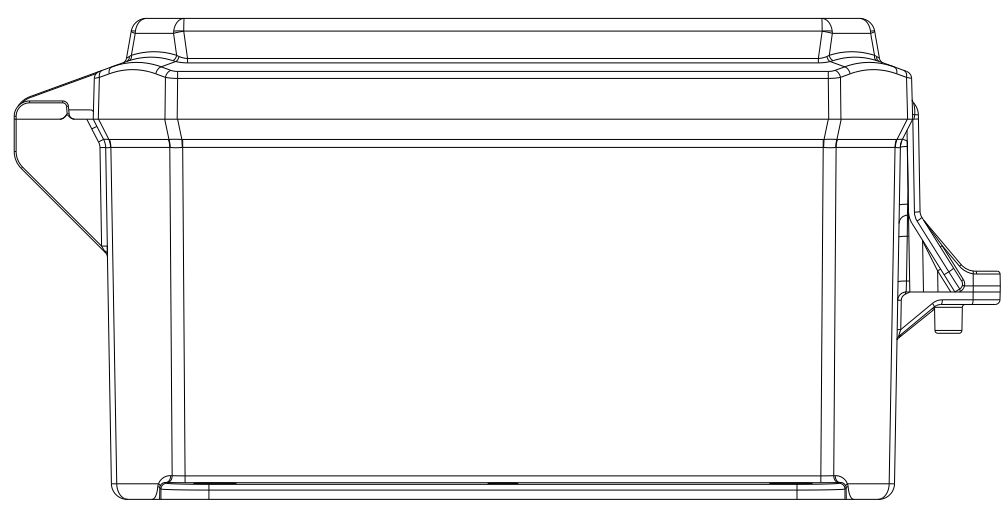
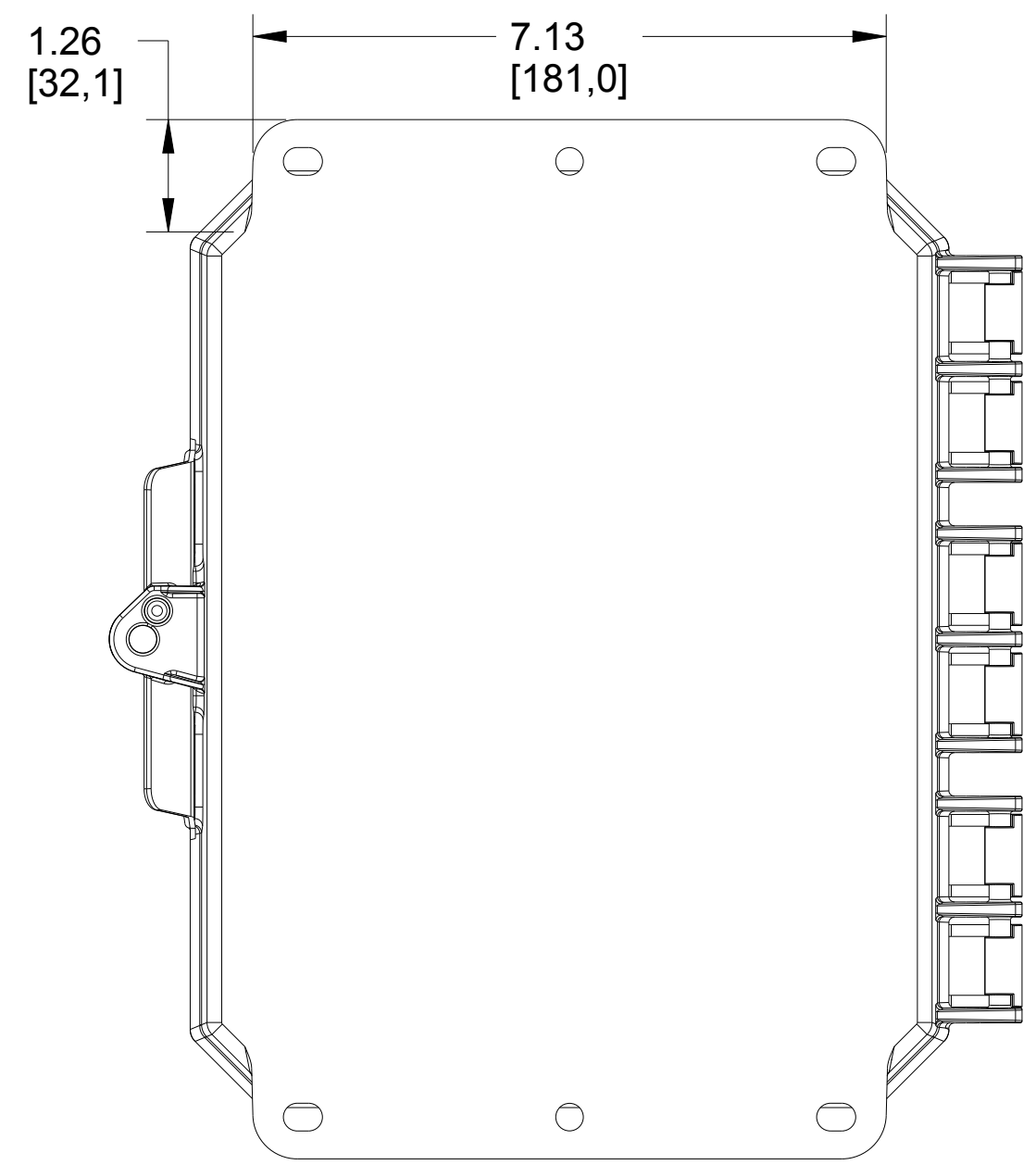
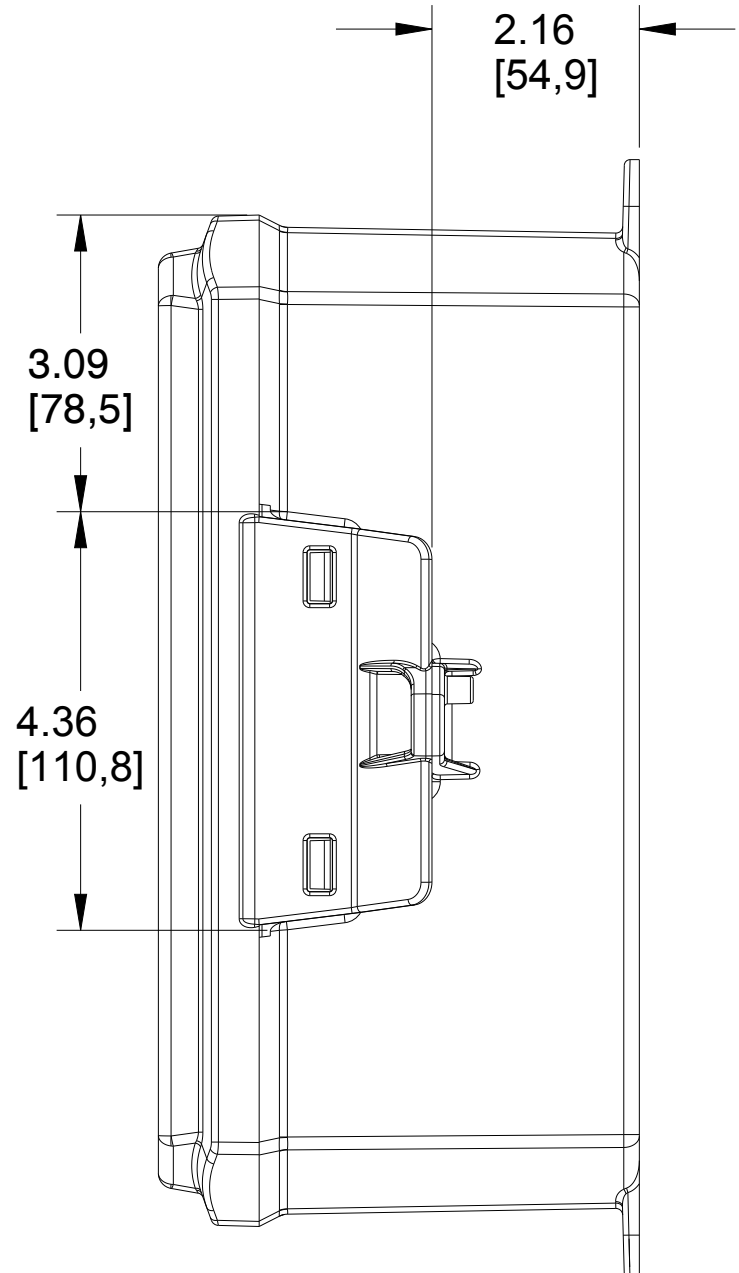
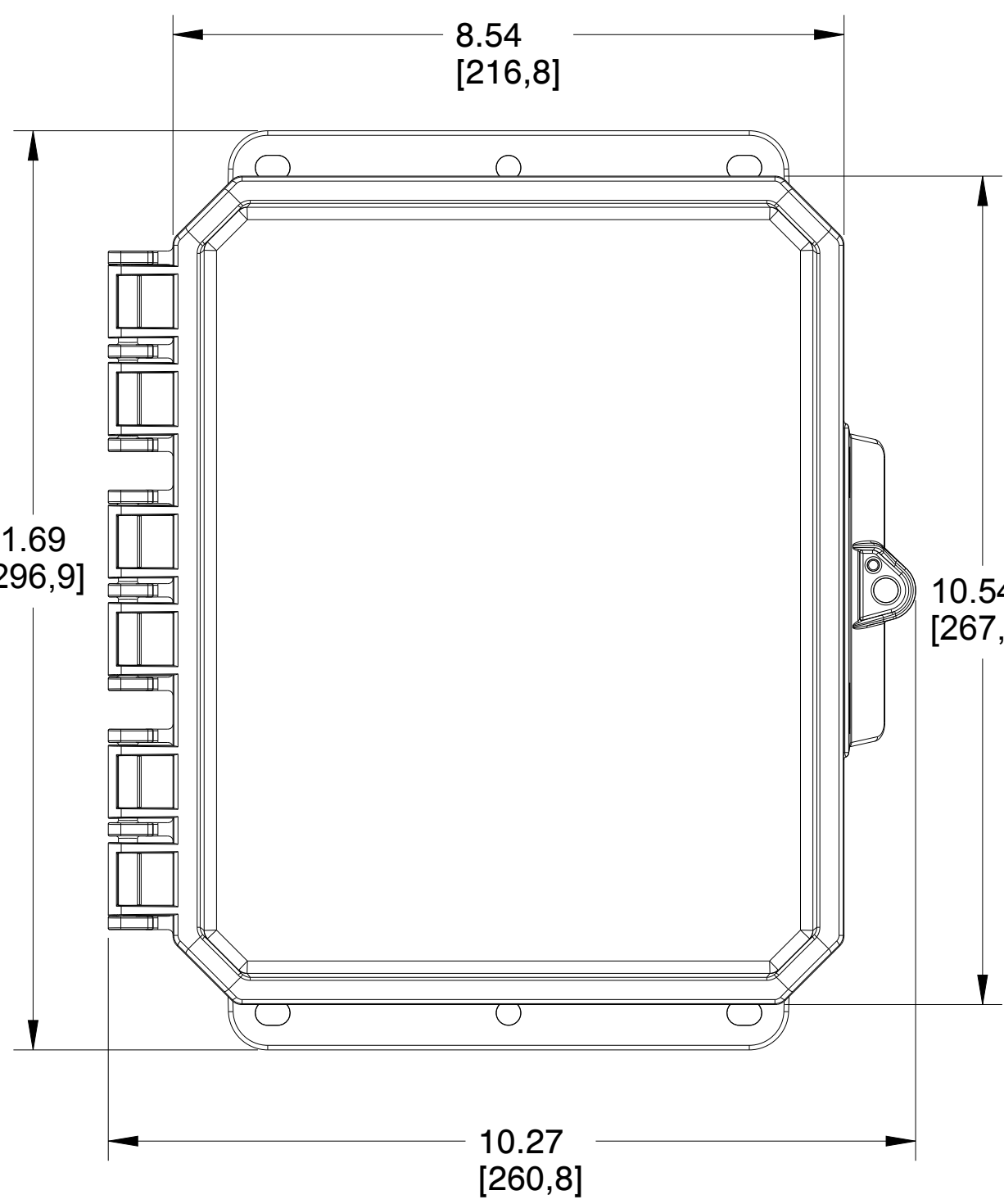
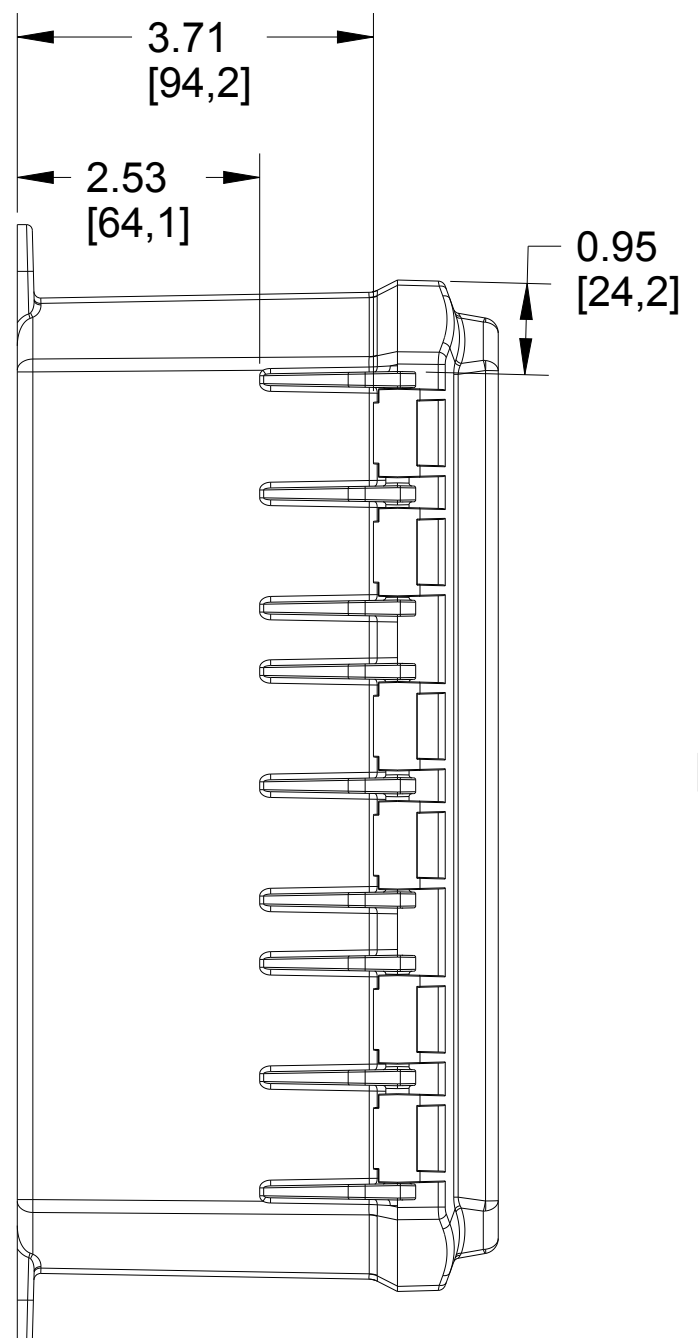
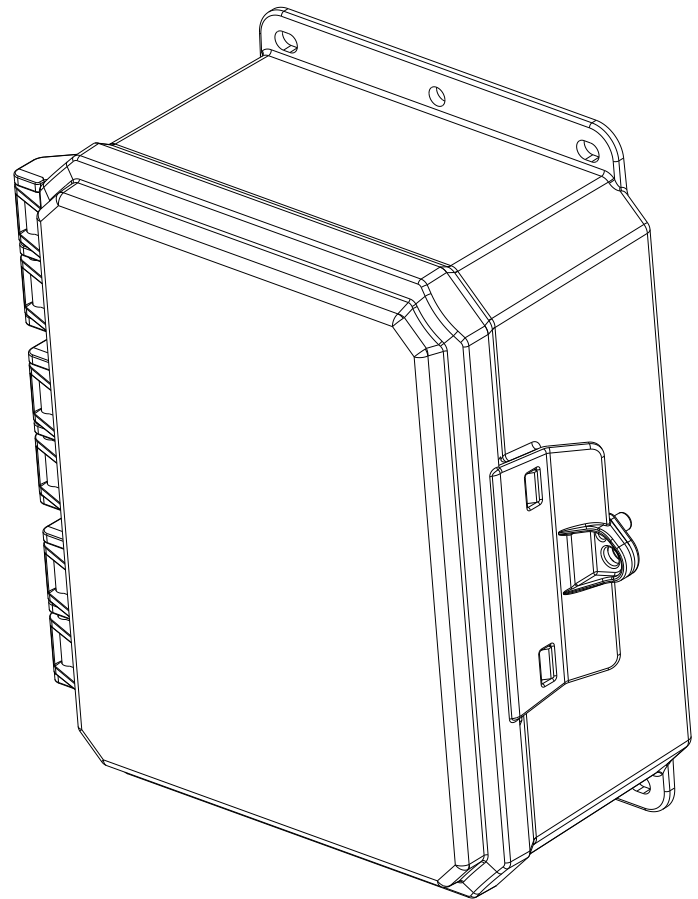
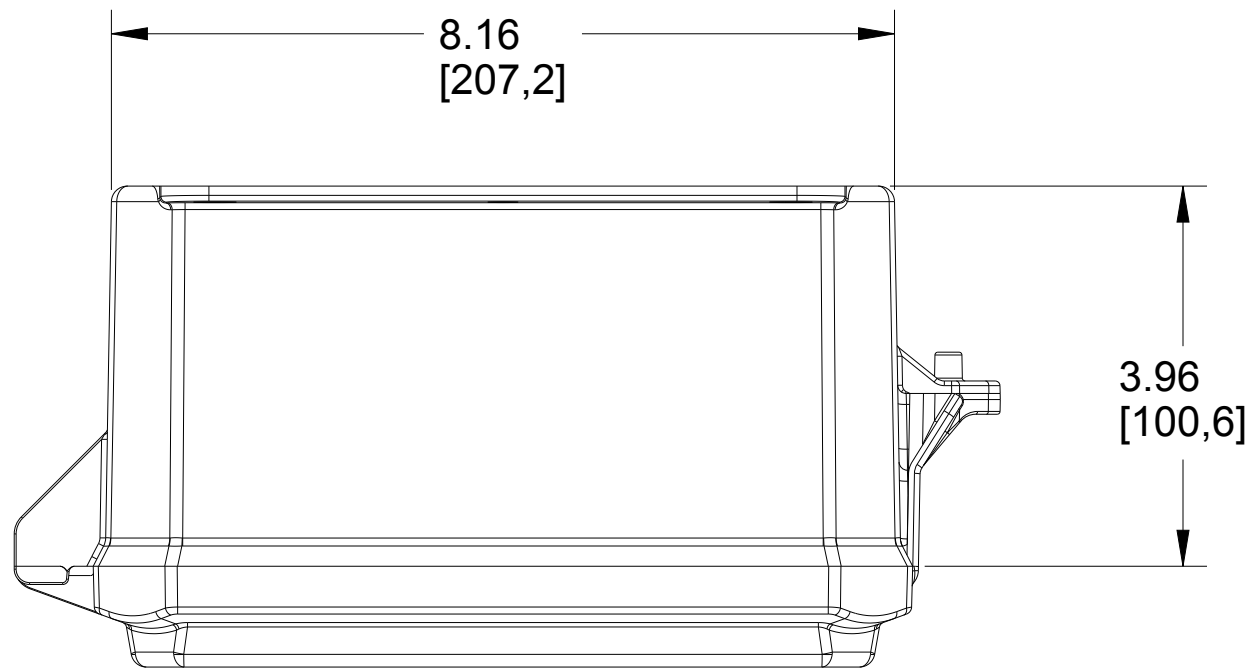


4

3

2

1



4

3

2

1

		MUM INDUSTRIES 8989 TYLER BLVD MENTOR, OHIO, U.S.A. (440) 269-8155 FAX (440) 269-8166	
SCALE	SHEET	DRAWN BY	
0.500	1 OF 2	M.HARTEN	
TITLE			
IMP-10X8X4-HNG-GRY-INT			
DATE	DRAWING NUMBER	REV	
02.04.2022	P10084	A	

UNLESS OTHERWISE SPECIFIED,
DIMENSIONS ARE IN INCHES (mm)
AND ARE NOMINAL ONLY

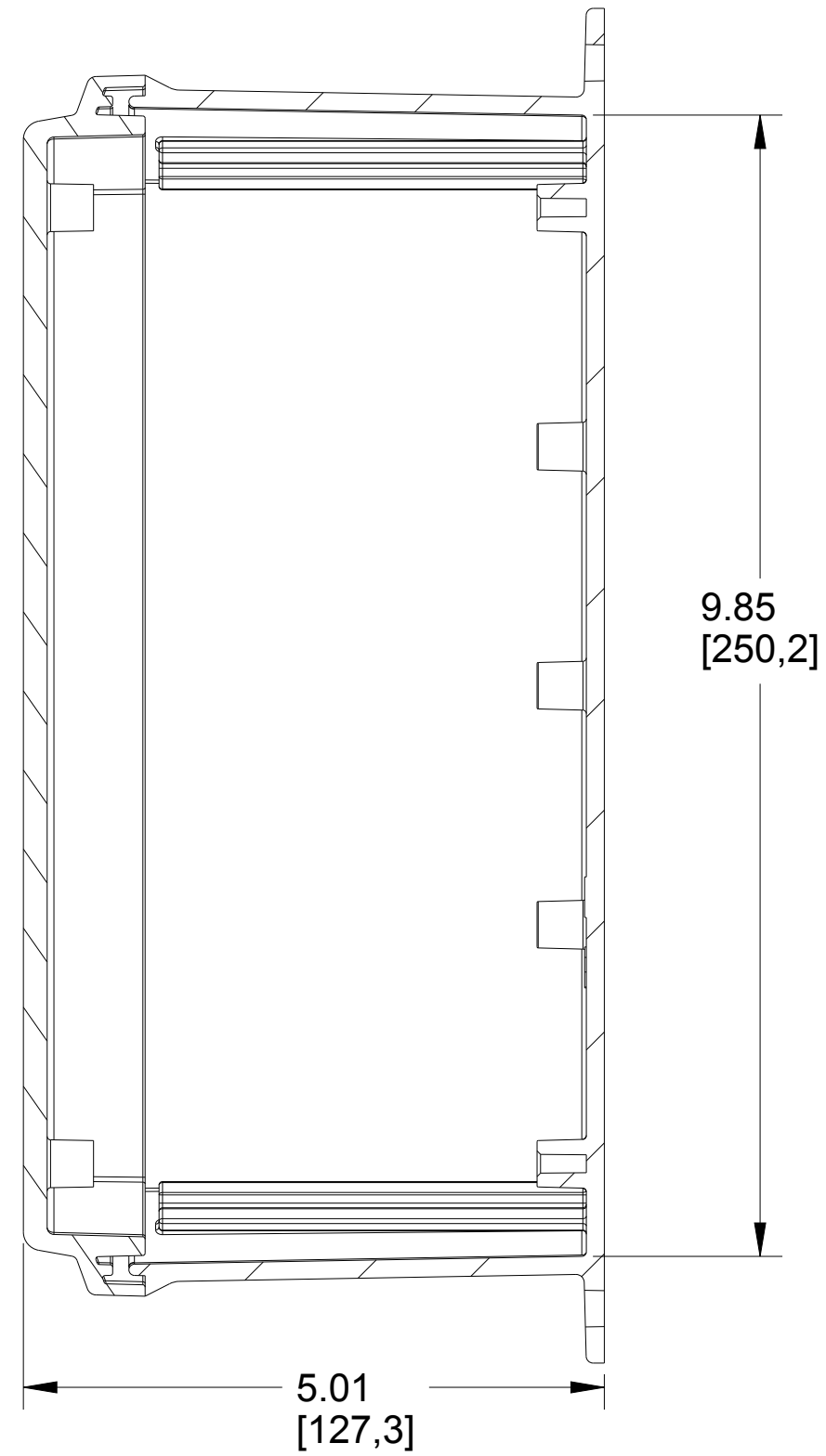
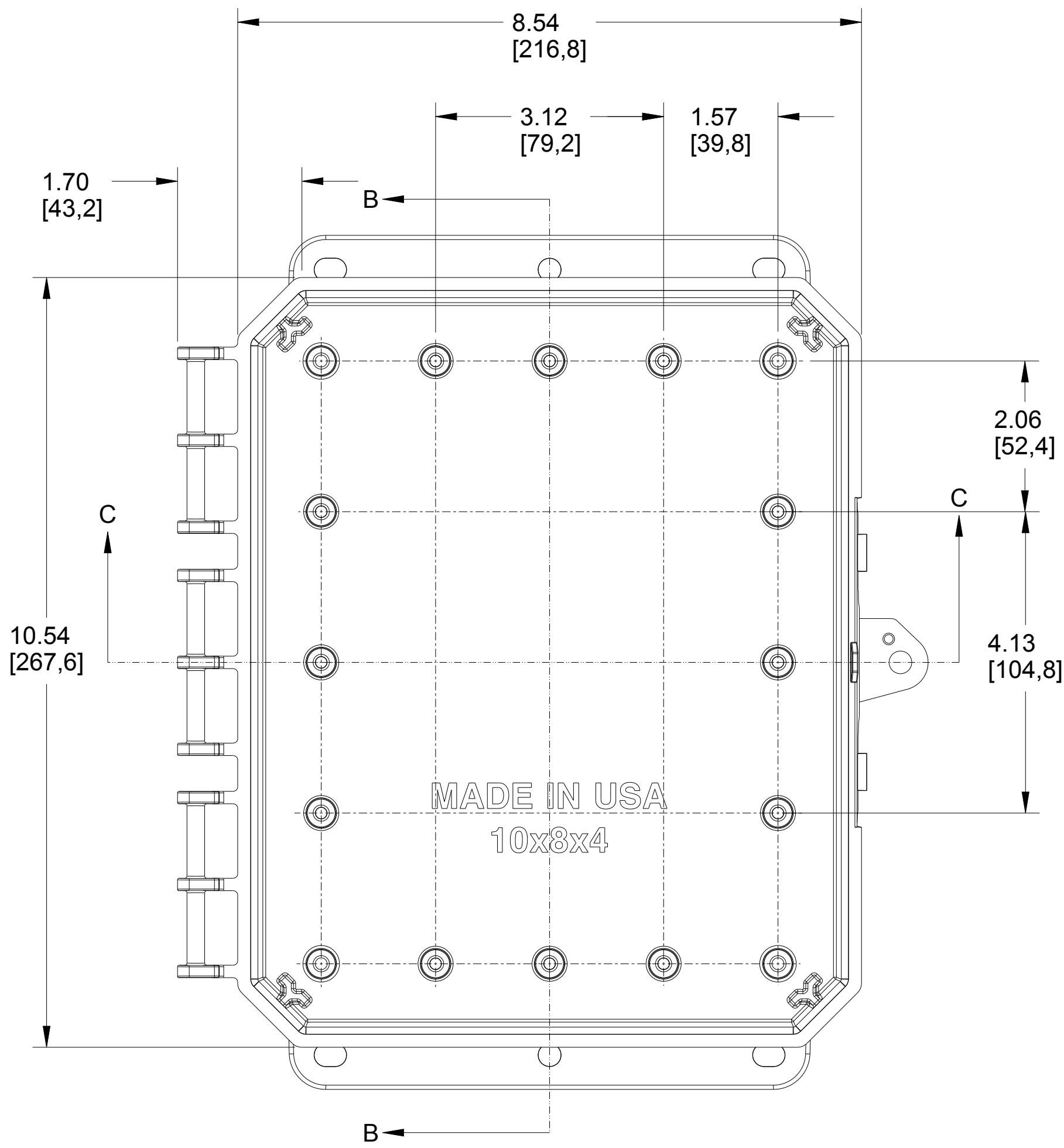
PROPRIETARY AND CONFIDENTIAL:
THE INFORMATION CONTAINED IN THIS
DRAWING IS THE SOLE PROPERTY OF
INTEGRA ENCLOSURES. ANY
REPRODUCTION IN PART OR AS A
WHOLE WITHOUT THE WRITTEN
PERMISSION OF INTEGRA
ENCLOSURES IS PROHIBITED.

4

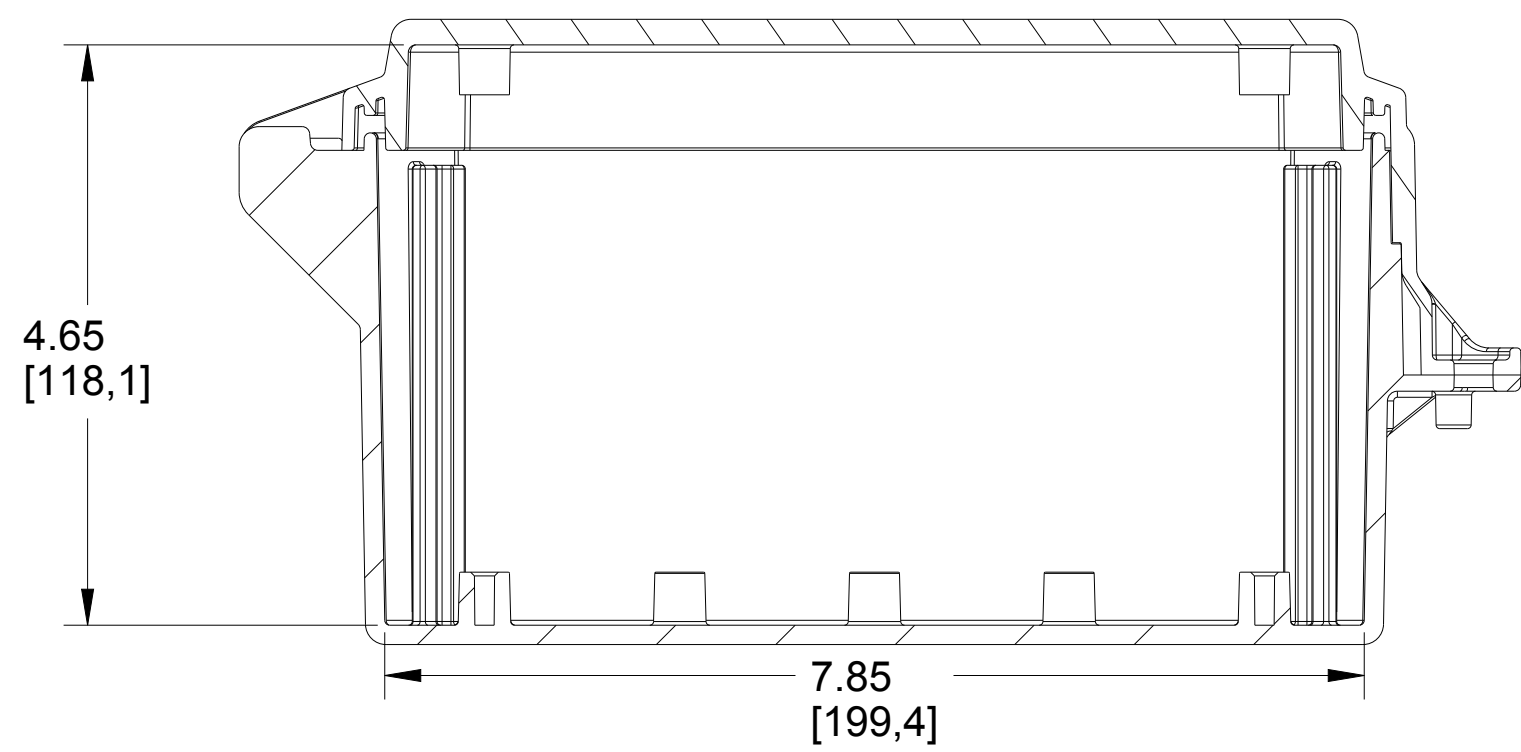
3

2

1



SECTION B-B



SECTION C-C

		MUM INDUSTRIES 8989 TYLER BLVD MENTOR, OHIO, U.S.A. (440) 269-8155 FAX (440) 269-8166	
SCALE	SHEET	DRAWN BY	
0.650	2 OF 2	M.HARTEN	
TITLE			
IMP-10X8X4-HNG-GRY-INT			
DATE	DRAWING NUMBER	REV	
02.04.2022	P10084	A	

UNLESS OTHERWISE SPECIFIED:
 DIMENSIONS ARE IN INCHES (mm)
 AND ARE NOMINAL ONLY

PROPRIETARY AND CONFIDENTIAL:
 THE INFORMATION CONTAINED IN THIS
 DRAWING IS THE SOLE PROPERTY OF
 INTEGRA ENCLOSURES. ANY
 REPRODUCTION IN PART OR AS A
 WHOLE WITHOUT THE WRITTEN
 PERMISSION OF INTEGRA
 ENCLOSURES IS PROHIBITED.

4

3

2

1

D

D

C

C

B

B

A

A