

4

3

2

1

D

D

C

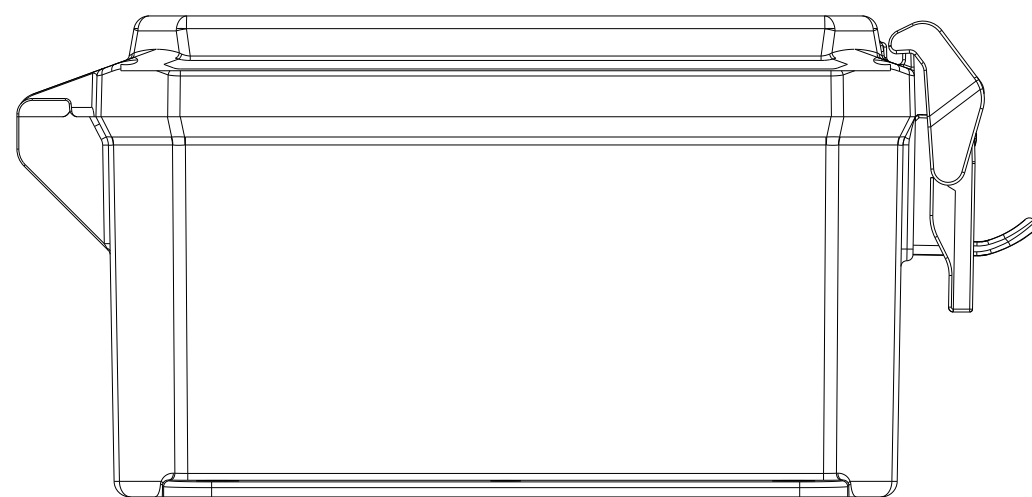
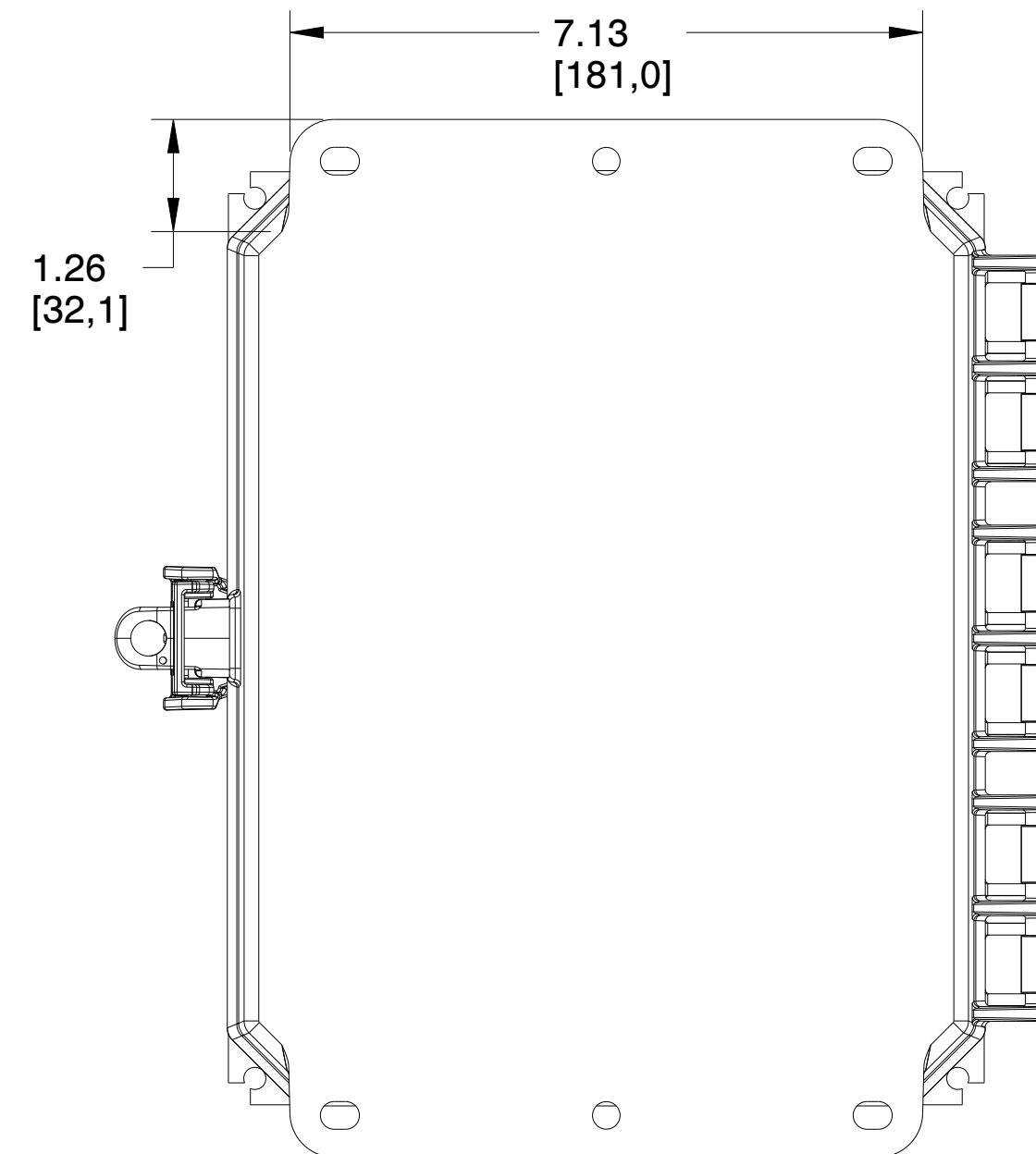
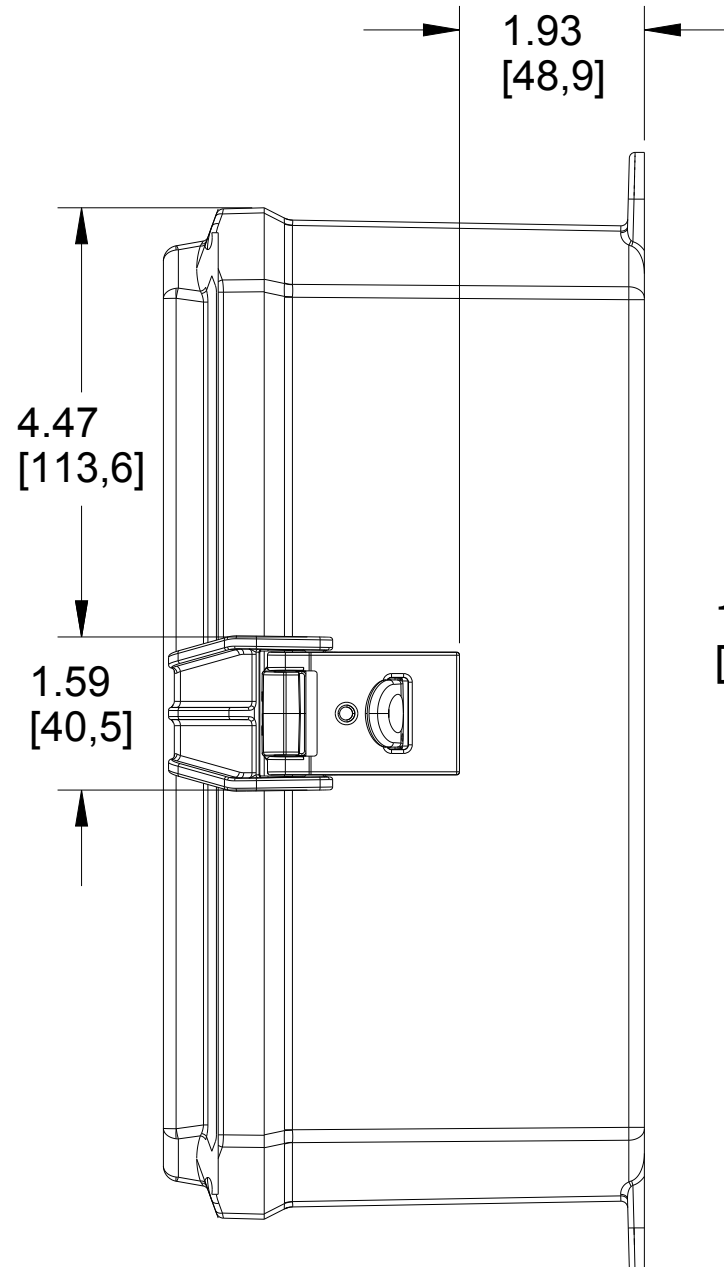
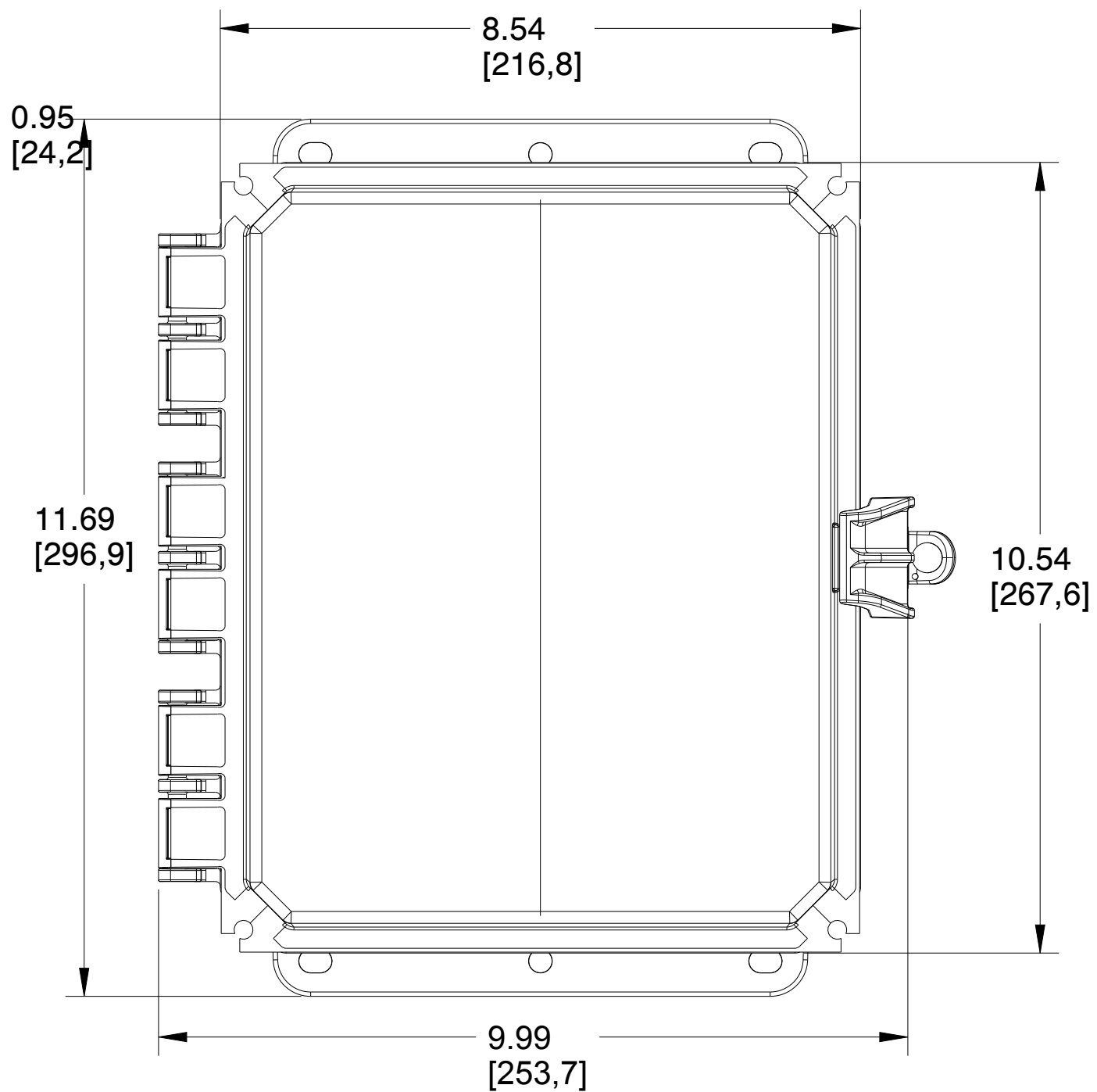
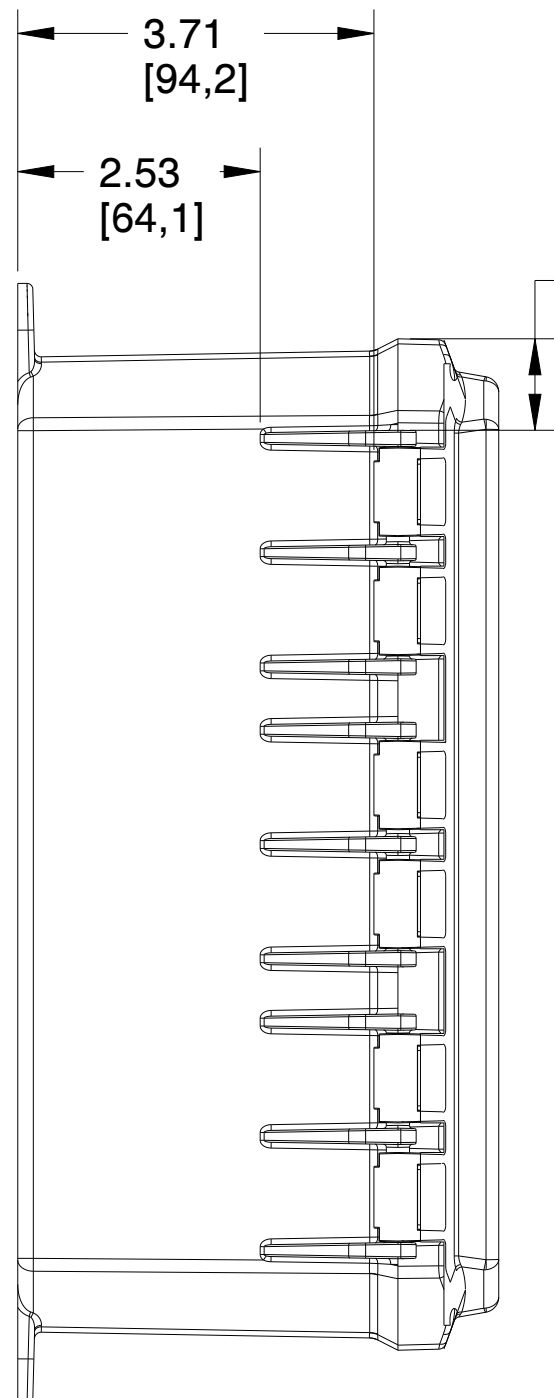
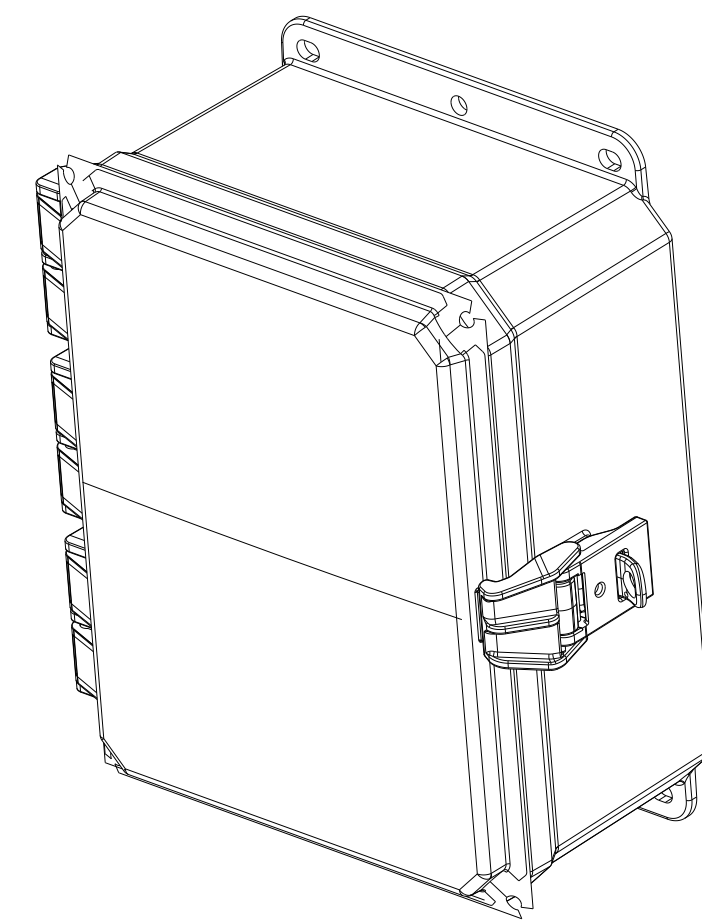
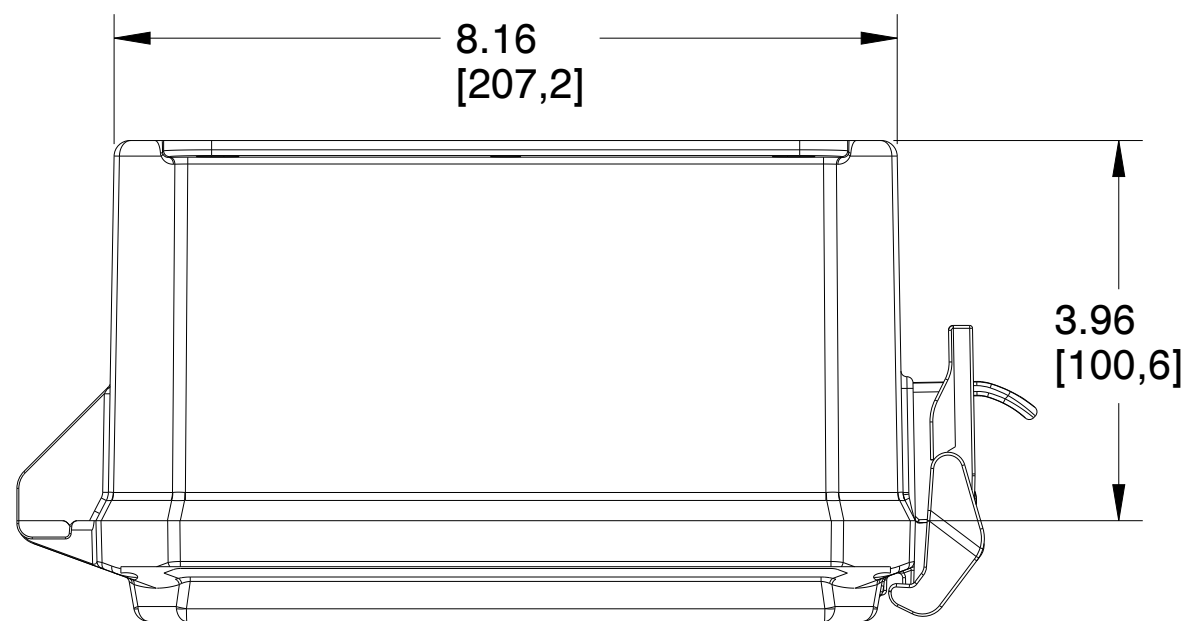
C

B

B

A

A



4

3

2

1

		MUM INDUSTRIES 8989 TYLER BLVD MENTOR, OHIO, U.S.A. (440) 269-8155 FAX (440) 269-8166	
SCALE 0.500	SHEET 1 OF 2	DRAWN BY M.HARTEN	
TITLE IMP-10X8X4-HNG-GRY-NML			
DATE 02.04.2022	DRAWING NUMBER P10084NL	REV A	

UNLESS OTHERWISE SPECIFIED,
DIMENSIONS ARE IN INCHES (mm)
AND ARE NOMINAL ONLY.

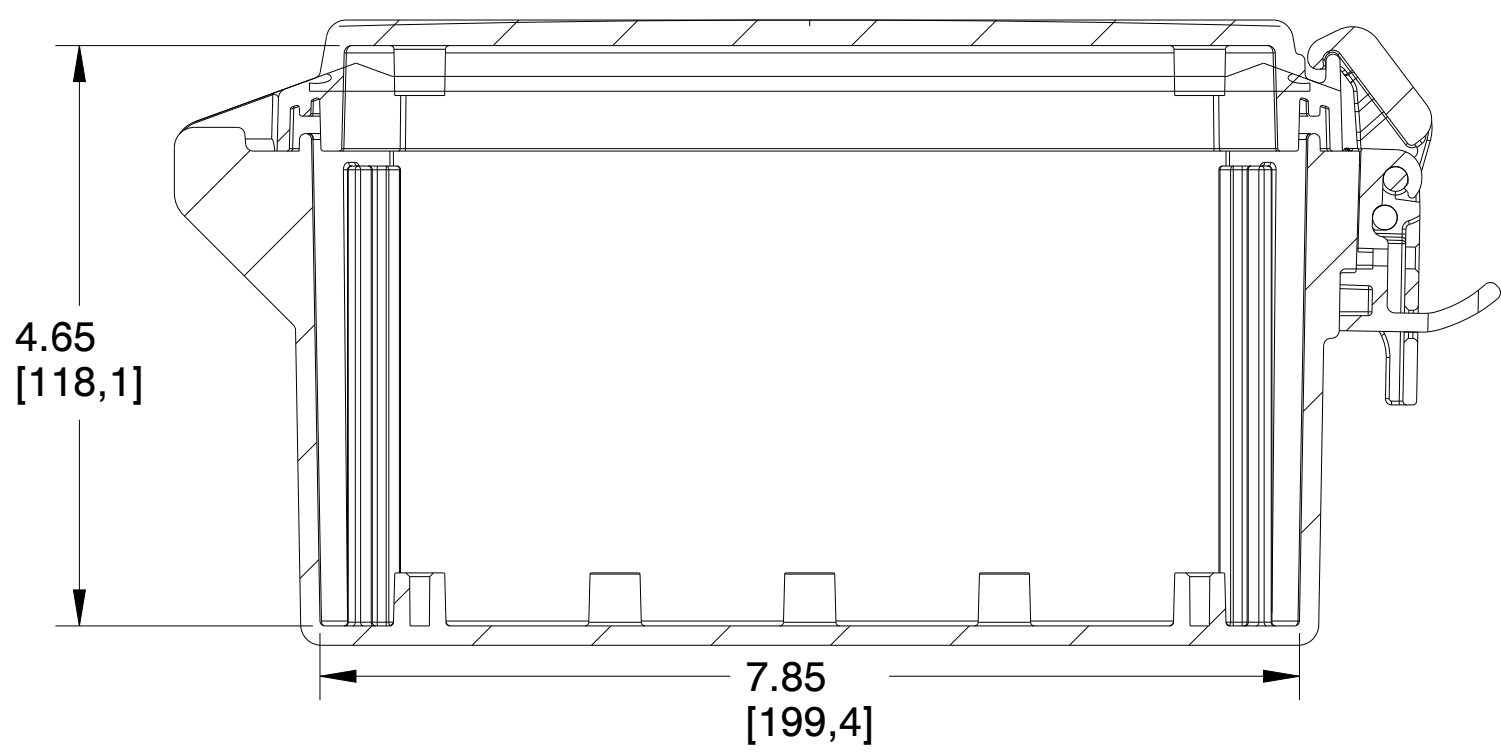
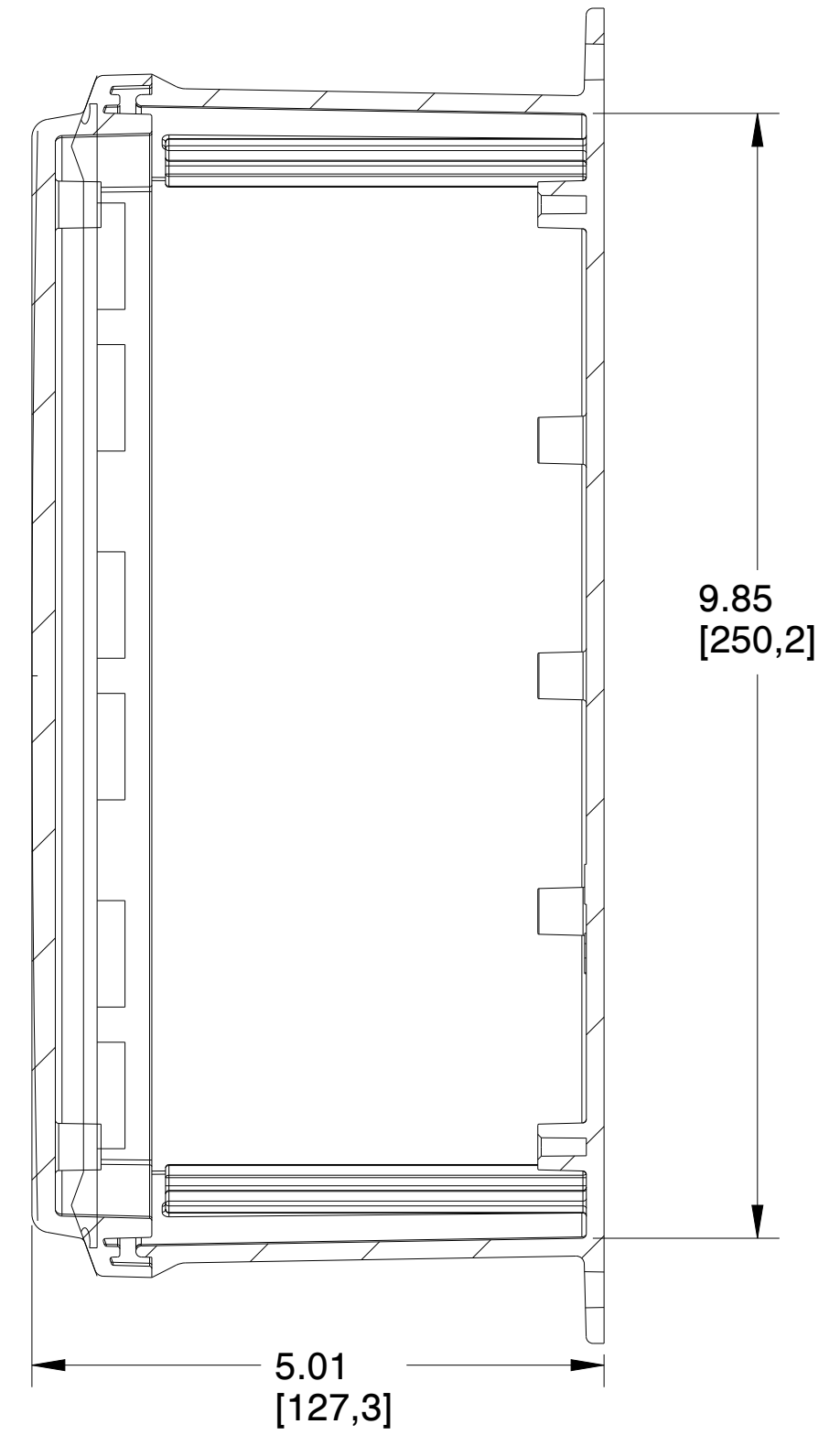
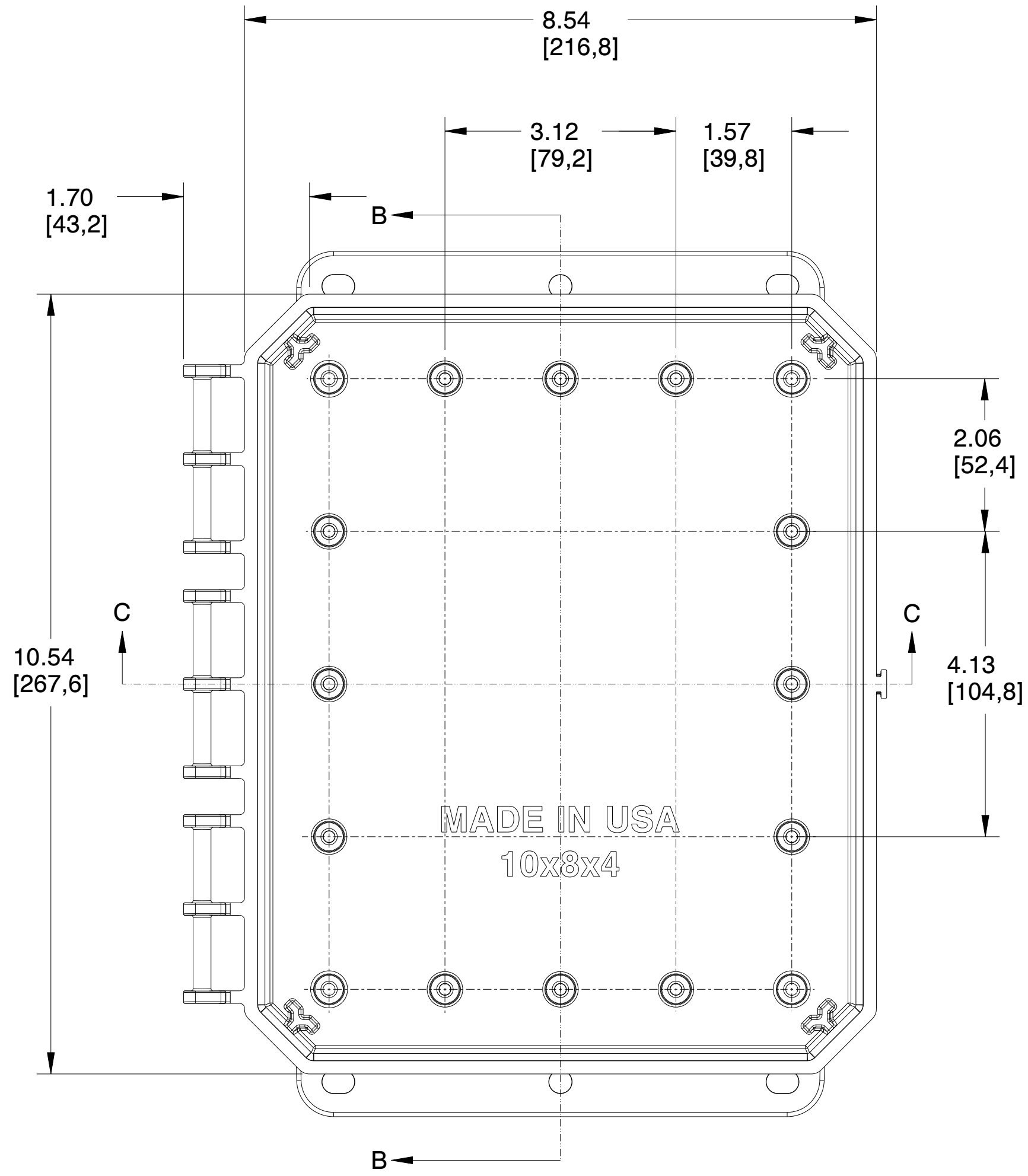
PROPRIETARY AND CONFIDENTIAL:
THE INFORMATION CONTAINED IN THIS
DRAWING IS THE SOLE PROPERTY OF
INTEGRA ENCLOSURES. ANY
REPRODUCTION IN PART OR AS A
WHOLE WITHOUT THE WRITTEN
PERMISSION OF INTEGRA
ENCLOSURES IS PROHIBITED.

4

3

2

1



		MUM INDUSTRIES 8989 TYLER BLVD MENTOR, OHIO, U.S.A. (440) 269-8155 FAX (440) 269-8166	
SCALE	SHEET	DRAWN BY	
0.600	2 OF 2	M.HARTEN	
TITLE			
IMP-10X8X4-HNG-GRY-NML			
DATE		DRAWING NUMBER	REV
02.04.2022		P10084NL	A

UNLESS OTHERWISE SPECIFIED:
DIMENSIONS ARE IN INCHES (mm)
AND ARE NOMINAL ONLY

PROPRIETARY AND CONFIDENTIAL:
THE INFORMATION CONTAINED IN THIS
DRAWING IS THE SOLE PROPERTY OF
INTEGRA ENCLOSURES. ANY
REPRODUCTION IN PART OR AS A
WHOLE WITHOUT THE WRITTEN
PERMISSION OF INTEGRA
ENCLOSURES IS PROHIBITED.

4

3

2

1

D

D

C

C

B

B

A

A